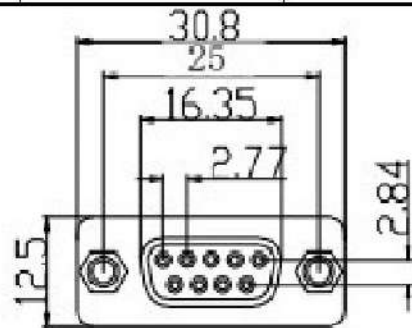
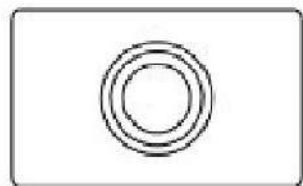
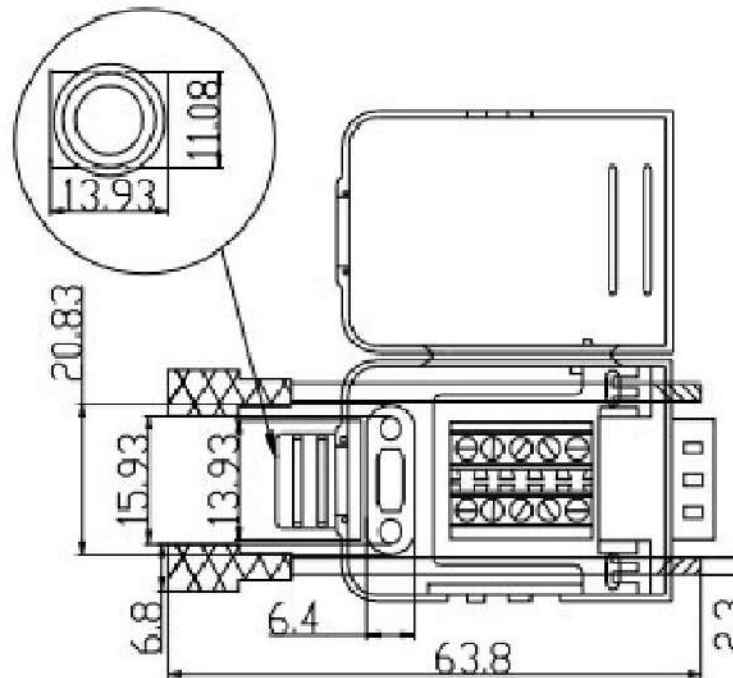
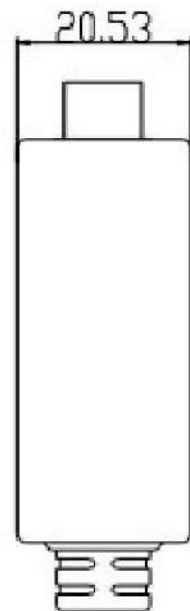
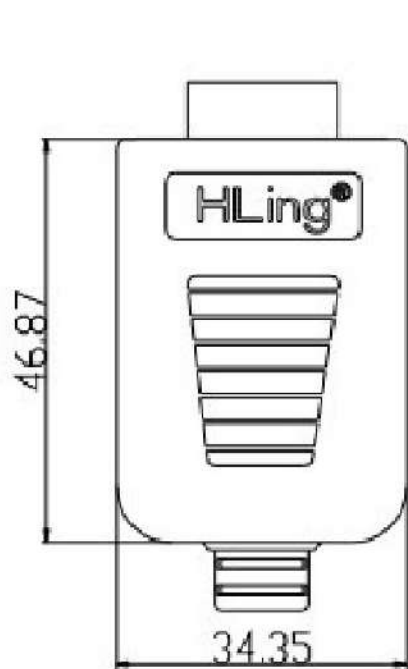
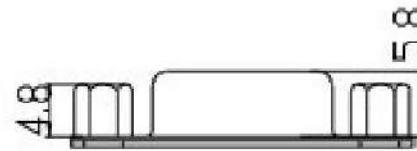


Male



Female



1. Features:

Rated voltage: 220V

Rated current: up to 1A

Contact resistance: 30mΩ MAX

Insulation resistance: 3000mΩMIN.

At 500V DC

Withstand voltage: 220V AC RMS for 1Minute

Temperature range: -45°C - +85°C

2. Materials:

Plug rubber core: PBT

Plug terminal: brass core with black rubber core, tin-plated outside

Plug iron shell: SPCC, nickel-plated front shell

Shell: new PP

Terminal: 3.81 copper block green terminal

Screw: nickel-plated iron 2.3MM* 72.94MM X 2PCS

Circuit board: lead-free environmental protection green board

Tail outlet: 10.0MM

CompuCableUSA

	Difference	0.5
	Unit	mm
	Ratio	1:1
Part No.	DTB-9XP-KIT	