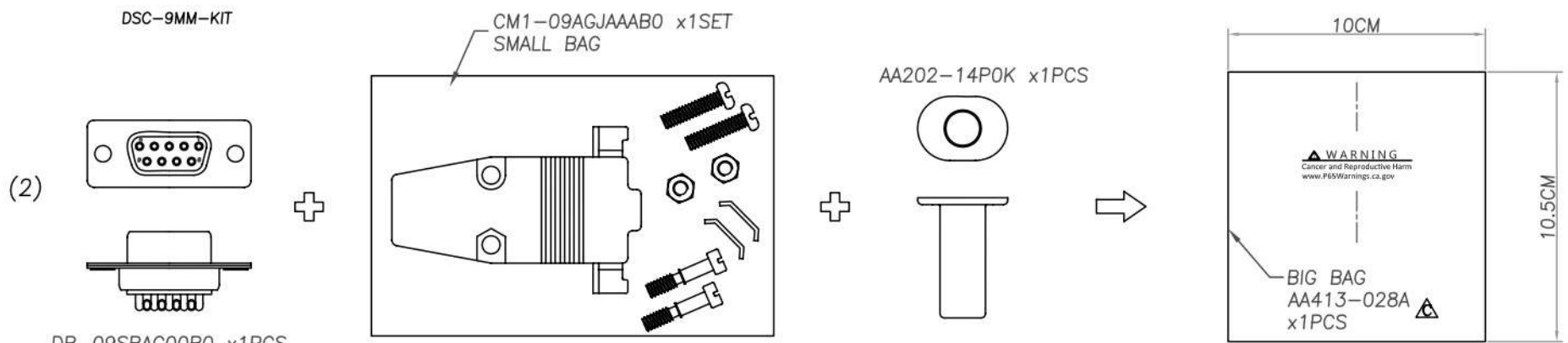
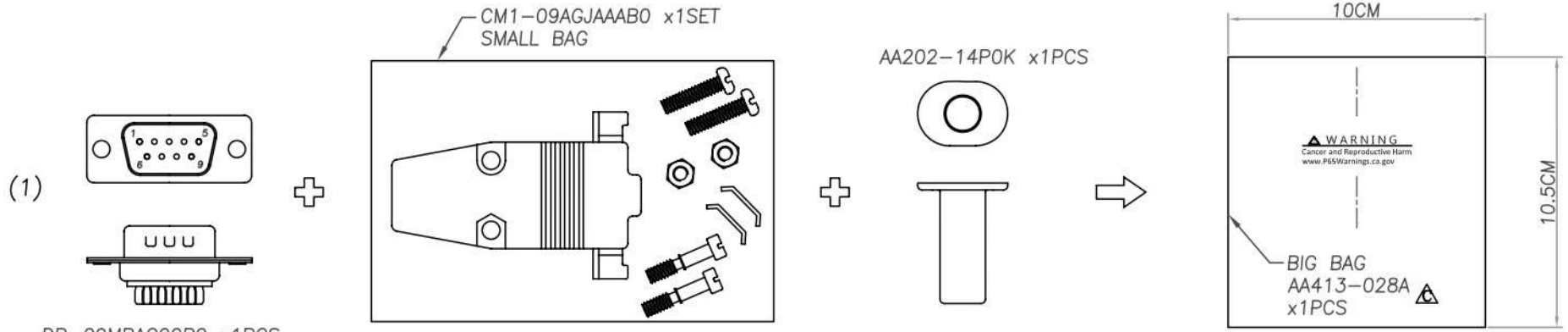


RoHS COMPLIANT

REV	DATE	DESCRIPTION
C	06/24/'22	Apply: Alberta



NO.	CC+ P/N	Internal P/N	ITEM P/N	DESCRIPTION	QTY	UNIT	PRODUCT PACKING
1	DSC-9MM-KIT	DB-09MBAC00HA	DB-09MBAC00B0	D-SUB 9PIN SOLDER TYPE MALE	1	PCS	BIG BAG:10.5*10*0.05CM
			CM1-09AGJAAAB0	D-SUB 9PIN METAL HOOD OD:9MM	1	SET	
			AA202-14P0K	GROMET	1	PCS	
2	DSC-9FM-KIT	DB-09SBAC00HA	DB-09SBAC00B0	D-SUB 9PIN SOLDER TYPE FEMALE	1	PCS	BIG BAG:10.5*10*0.05CM
			CM1-09AGJAAAB0	D-SUB 9PIN METAL HOOD OD:9MM	1	SET	
			AA202-14P0K	GROMET	1	PCS	

NOTE:

**⚠ WARNING**  
Cancer and Reproductive Harm  
www.P65Warnings.ca.gov



MODEL NAME:  
Solder Type Shielded Metal Hood Kit

MARK EXPLAIN:  
 ⚠:Revision Change  
 I:Important Dimension  
 Ⓜ:Note

TOLERANCE:  
 0.00:  
 0.00 : ±0.20  
 0.0 : ±0.30  
 0. : ±0.40  
 ANGLE: ±3.0°  
 UNIT: mm

PART NO. DSC-9XM-KIT  
 APPROVED BY: ALBERTA  
 CHECKED BY: EDEA  
 DRAW BY: ALAN  
 FILE NO. FIG03214  
 SCALE: 1/1  
 DATE: 1080718