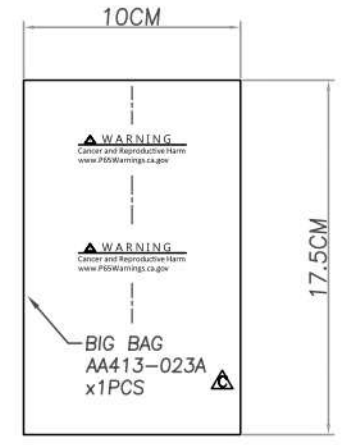
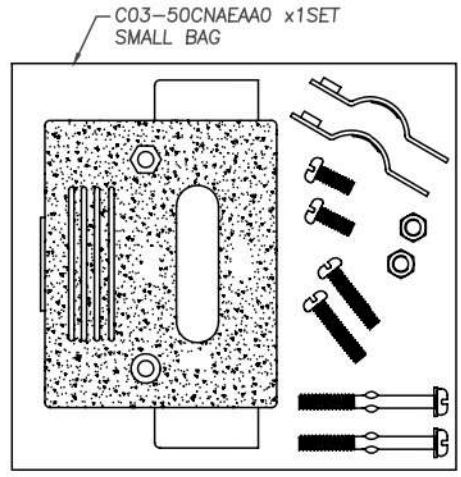
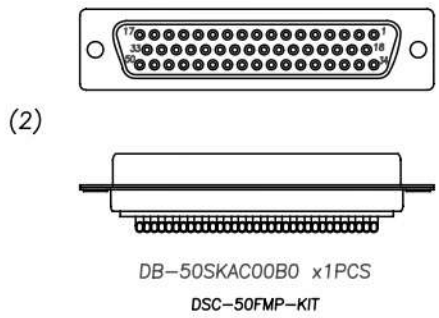
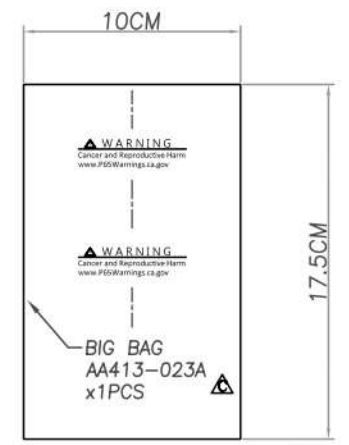
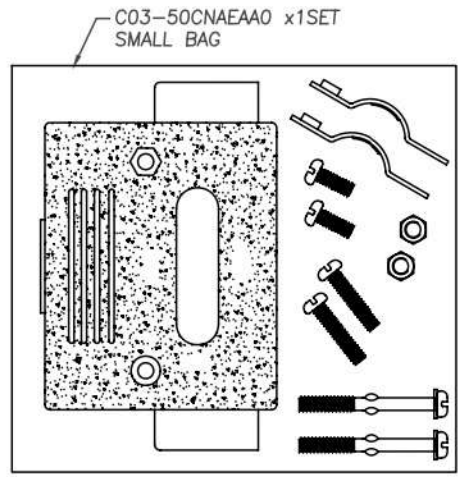
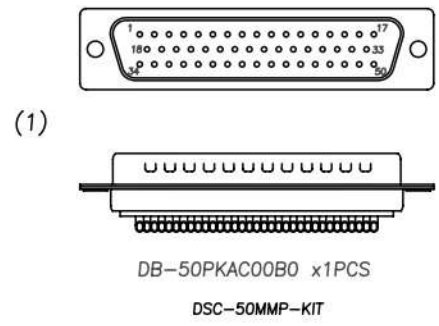


RoHS COMPLIANT

REV	DATE	DESCRIPTION
C	06/24/"22	Apply: Alberta



NO.	CC+ P/N	Internal P/N	ITEM P/N	DESCRIPTION	QTY	UNIT	PRODUCT PACKING
1	DSC-50MMP-KIT	DB-50PKAC00JA	DB-50PKAC00B0	D-SUB 50PIN SOLDER TYPE MALE	1	PCS	BIG BAG:17.5*10.*0.05CM
			C03-50CNAEAA0	D-SUB 50PIN CHROMATED PLASTIC HOOD	1	SET	
			XG37-50	GROMET	1	PCS	
2	DSC-50FMP-KIT	DB-50SKAC00JA	DB-50SKAC00B0	D-SUB 50PIN SOLDER TYPE FEMALE	1	PCS	BIG BAG:17.5*10.*0.05CM
			C03-50CNAEAA0	D-SUB 50PIN CHROMATED PLASTIC HOOD	1	SET	
			XG37-50	GROMET	1	PCS	

NOTE:

WARNING
Cancer and Reproductive Harm
www.P65Warnings.ca.gov



MODEL NAME:
Solder Type Unshielded Plastic
Hood Kit

MARK EXPLAIN:
 ⚠:Revision Change
 I:Important Dimension
 ①:Note

TOLERANCE:
 0.000:
 0.00 : ±0.20
 0.0 : ±0.30
 0. : ±0.40
 ANGLE: ±3.0°

UNIT: mm

PART NO. DSC-50XMP-KIT

APPROVED BY: ALBERTA

CHECKED BY: EDEA

DRAW BY: ALAN

FILE NO. FIG03221

SCALE: 1/1

DATE: 1080718