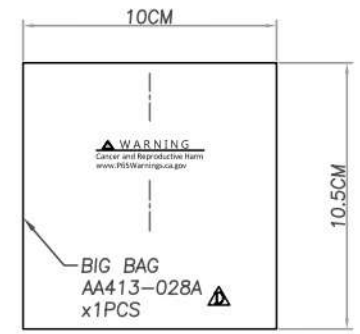
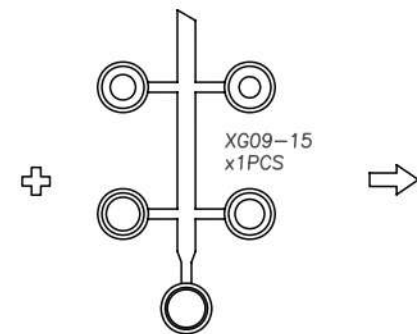
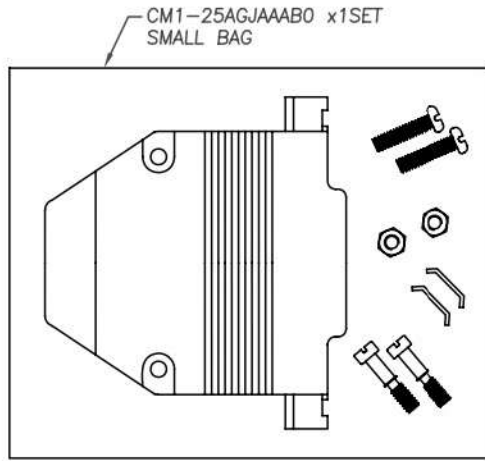
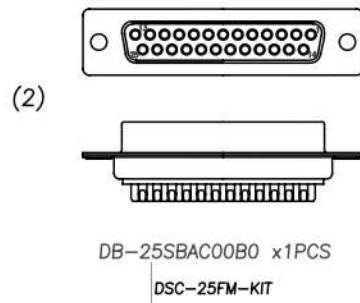
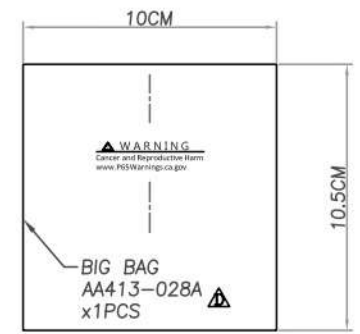
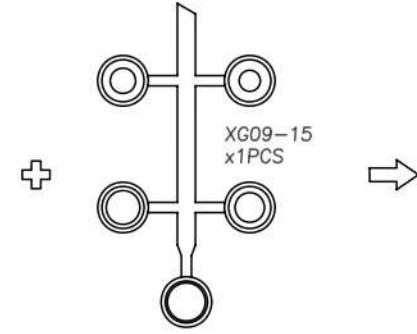
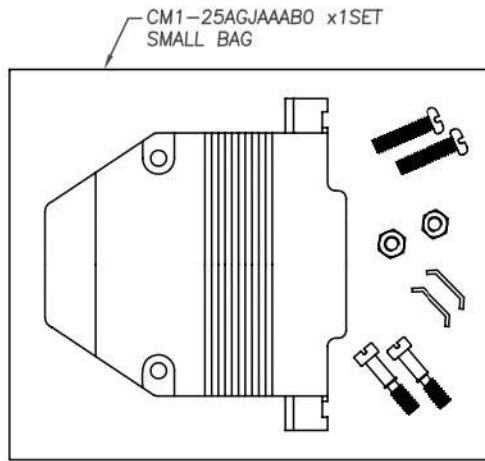
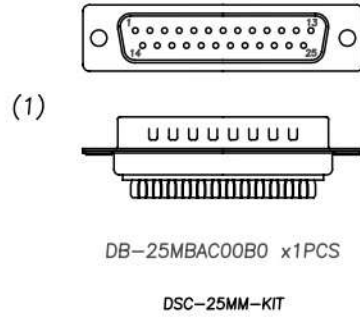


RoHS COMPLIANT

REV	DATE	DESCRIPTION
D	06/24/'22	Apply: Alberta



NO.	CC+ P/N	Internal P/N	ITEM P/N	DESCRIPTION	QTY	UNIT	PRODUCT PACKING
1	DSC-25MM-KIT	DB-25MBAC00HA	DB-25MBAC00B0	D-SUB 25PIN SOLDER TYPE MALE	1	PCS	BIG BAG:17.5*10.*0.05CM
			CM1-25AGJAAAB0	D-SUB 25PIN METAL HOOD OD:9MM	1	SET	
			XG09-15	GROMET	1	PCS	
2	DSC-25FM-KIT	DB-25SBAC00HA	DB-25SBAC00B0	D-SUB 25PIN SOLDER TYPE FEMALE	1	PCS	BIG BAG:17.5*10.*0.05CM
			CM1-25AGJAAAB0	D-SUB 25PIN METAL HOOD OD:9MM	1	SET	
			XG09-15	GROMET	1	PCS	

NOTE:  
**WARNING**  
Cancer and Reproductive Harm  
www.P65Warnings.ca.gov



MODEL NAME:  
Solder Type Shielded Metal Hood Kit

MARK EXPLAIN:  
⚠:Revision Change  
I:Important Dimension  
①:Note

TOLERANCE:  
0.000:  
0.00 : ±0.20  
0.0 : ±0.30  
0. : ±0.40  
ANGLE: ±3.0°

PART NO. DSC-25XM-KIT

APPROVED BY: ALBERTA

CHECKED BY: EDEA

DRAW BY: ALAN

FILE NO.FIG03216

SCALE: 1/1

DATE : 1080718

UNIT: mm