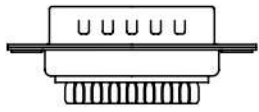
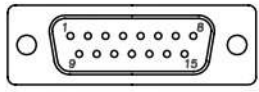


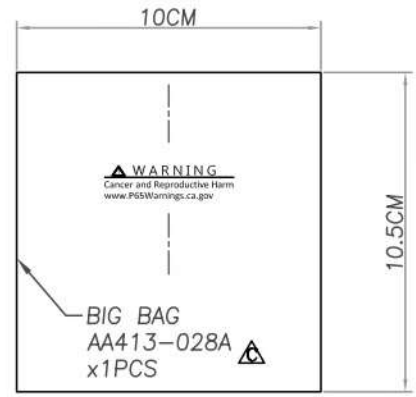
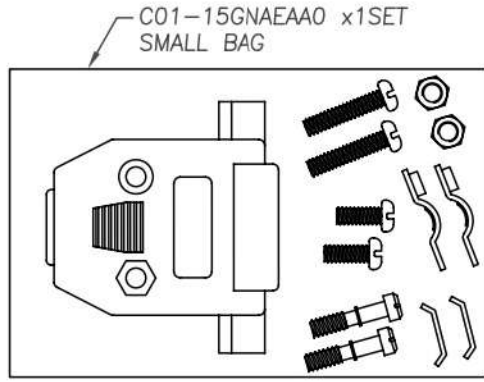
RoHS COMPLIANT

REV	DATE	DESCRIPTION
C	06/24/"22	Apply: Alberta

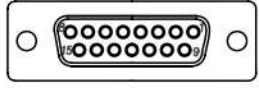
(1)



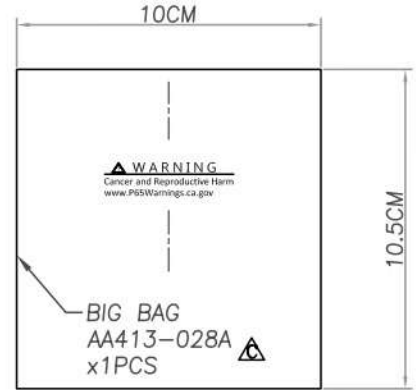
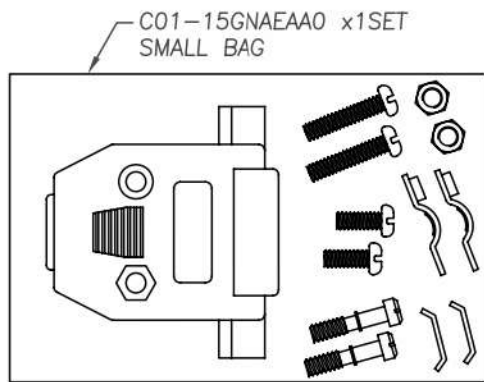
DB-15MBAC00B0 x1PCS
DSC-15MP-KIT



(2)



DB-15SBAC00B0 x1PCS
DSC-15FP-KIT



NO.	CC+ P/N	Internal P/N	ITEM P/N	DESCRIPTION	QTY	UNIT	PRODUCT PACKING
1	DSC-15MP-KIT	DB-15MBAC00JB	DB-15MBAC00B0	D-SUB 15PIN SOLDER TYPE MALE	1	PCS	BIG BAG:10.5*10.*0.05CM
			C01-15GNAEAA0	D-SUB 15PIN PLASTIC HOOD GREY	1	SET	
2	DSC-15FP-KIT	DB-15SBAC00JB	DB-15SBAC00B0	D-SUB 15PIN SOLDER TYPE FEMALE	1	PCS	BIG BAG:10.5*10*0.05CM
			C01-15GNAEAA0	D-SUB 15PIN PLASTIC HOOD GREY	1	SET	

NOTE:

WARNING
Cancer and Reproductive Harm
www.P65Warnings.ca.gov



MODEL NAME:

Solder Type Unshielded Plastic Hood Kit

MARK EXPLAIN:
:Revision Change
:Important Dimension
:Note

TOLERANCE:
 0.00:
 0.00 : ±0.20
 0.0 : ±0.30
 0. : ±0.40
 ANGLE: ±3.0°
 UNIT: mm

PART NO. DSC-15XP-KIT

APPROVED BY: ALBERTA

CHECKED BY: EDEA

DRAW BY: ALAN

FILE NO.FIG03219

SCALE: 1/1

DATE : 1080722