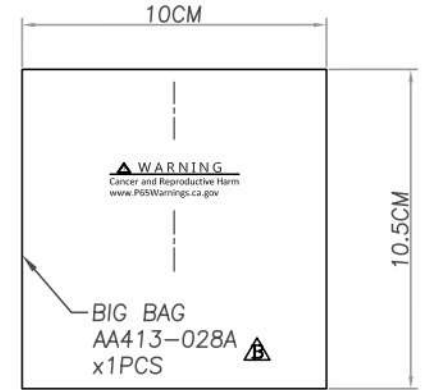
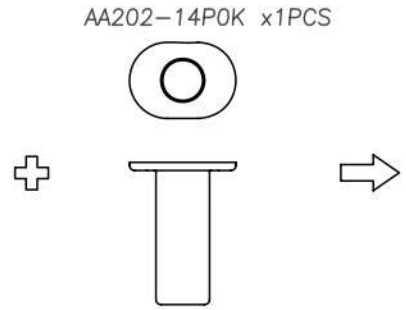
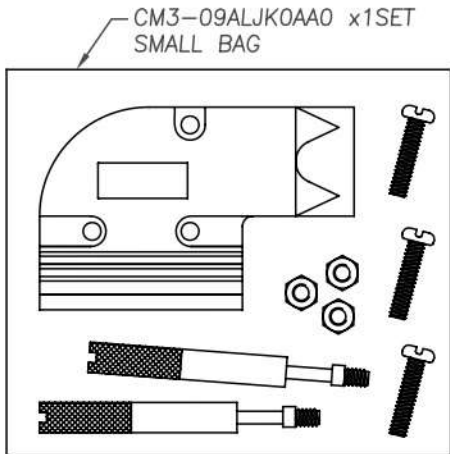
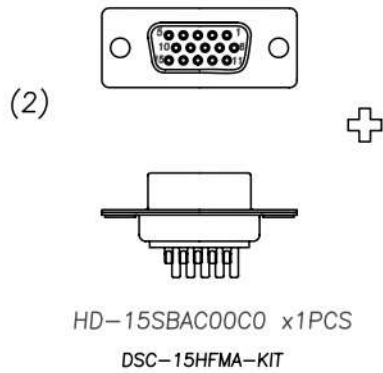
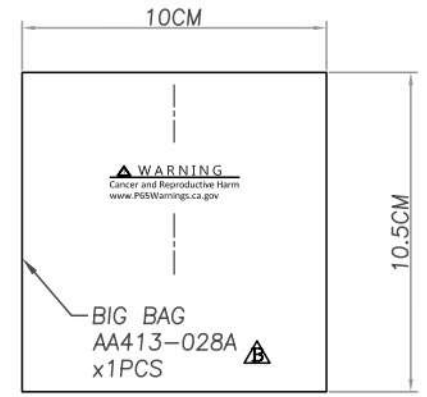
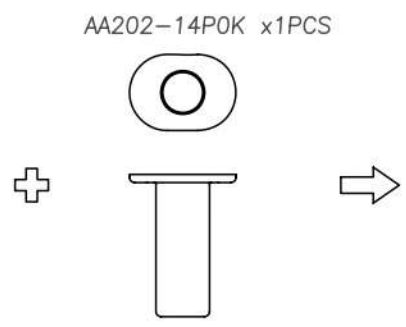
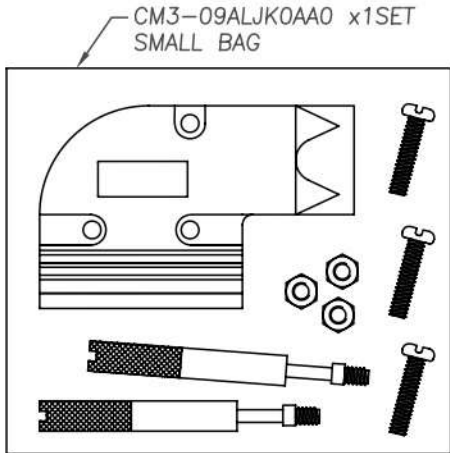
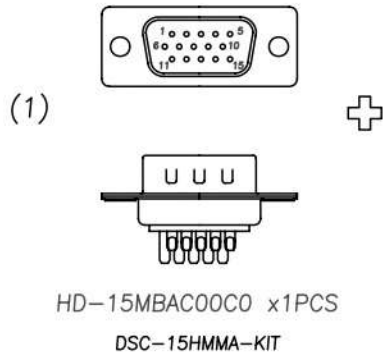


RoHS COMPLIANT

REV	DATE	DESCRIPTION
B	06/24/"22	Apply: Alberta



NO.	CC+ P/N	Internal P/N	ITEM P/N	DESCRIPTION	QTY	UNIT	PRODUCT PACKING
1	DSC-15HMMA-KIT	HD-15MBAC00LA	HD-15MBAC00C0	D-SUB HD 15PIN SOLDER TYPE MALE	1	PCS	BIG BAG:10.5*10.*0.05CM
			CM3-09ALJK0AA0	D-SUB 9PIN METAL R/A HOOD OD:11MM	1	SET	
			AA202-14P0K	GROMET	1	PCS	
2	DSC-15HFMA-KIT	HD-15SBAC00LA	HD-15SBAC00C0	D-SUB HD 15PIN SOLDER TYPE FEMALE	1	PCS	BIG BAG:10.5*10*0.05CM
			CM3-09ALJK0AA0	D-SUB 9PIN METAL R/A HOOD OD:11MM	1	SET	
			AA202-14P0K	GROMET	1	PCS	

NOTE:

WARNING
Cancer and Reproductive Harm
www.P65Warnings.ca.gov

CompuCableUSA

MODEL NAME:
Solder Type Shielded Metal Elbow Hood Kit

MARK EXPLAIN:
 Revision Change
 Important Dimension
 Note

TOLERANCE:
 0.00:
 0.00 : ±0.20
 0.0 : ±0.30
 0. : ±0.40
 ANGLE: ±3.0°
 UNIT: mm

PART NO. DSC-15HXMA-KIT

APPROVED BY: ALBERTA

CHECKED BY: EDEA

DRAW BY: ALAN

FILE NO. FIG03310

SCALE: 1/1

DATE: 1100728