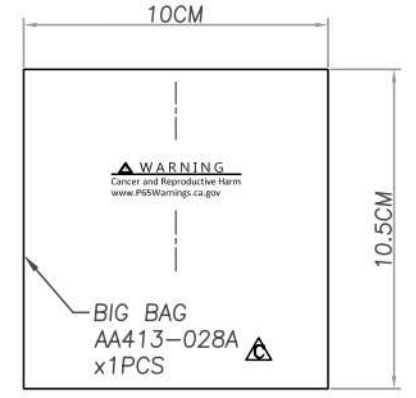
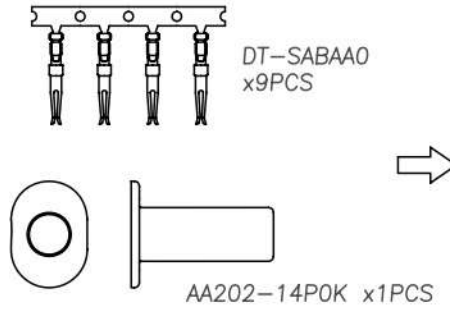
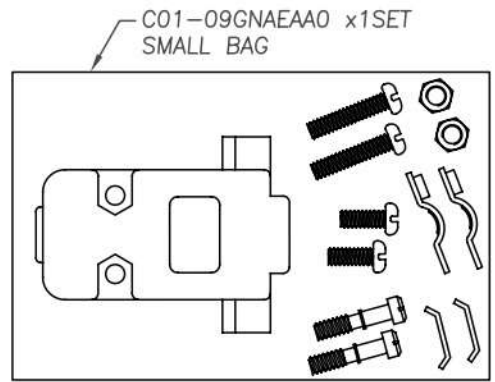
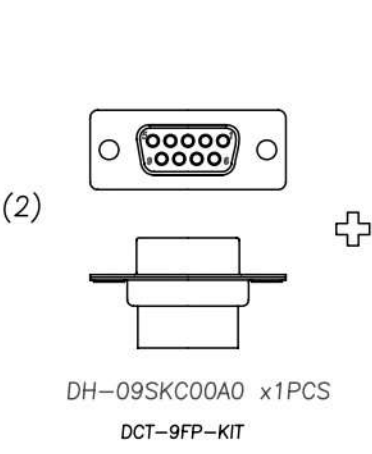
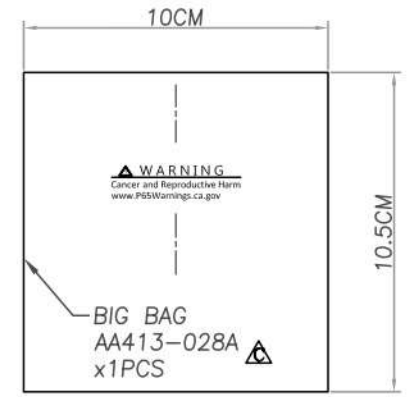
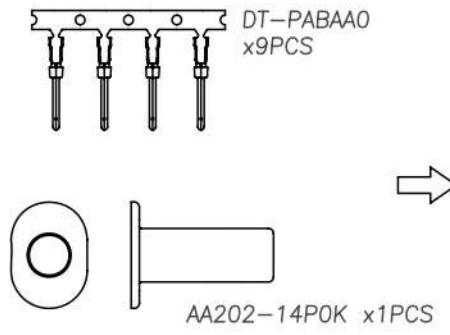
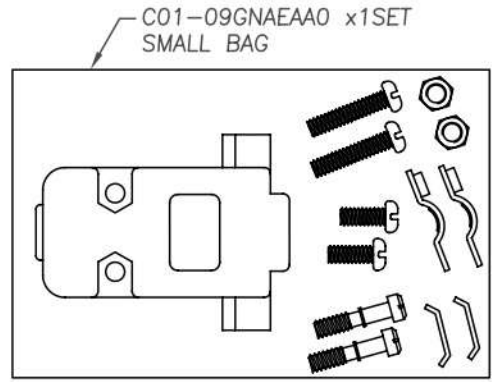
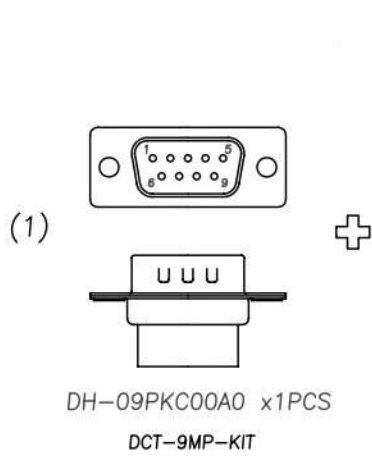


RoHS COMPLIANT

REV	DATE	DESCRIPTION
C	06/24/"22	Apply: Alberta



NO.	CC+ P/N	Internal P/N	ITEM P/N	DESCRIPTION	Q'TY	UNIT	PRODUCT PACKING
1	DCT-9MP-KIT	DH-09PKC00DA	DH-09PKC00A0	D-SUB 09PIN CRIMP TYPE MALE	1	PCS	BIG BAG:10.5*10*0.05CM
			DT-PABAA0	CRIMP TYPE MALE TERMINAL	9	PCS	
			C01-09GNAEAA0	D-SUB 09PIN CHROMATED PLASTIC HOOD	1	SET	
			AA202-14POK	GROMMET	1	PCS	
2	DCT-9FP-KIT	DH-09SKC00DA	DH-09SKC00A0	D-SUB 09PIN CRIMP TYPE FEMALE	1	PCS	BIG BAG:10.5*10*0.05CM
			DT-SABAA0	CRIMP TYPE FEMALE TERMINAL	9	PCS	
			C01-09GNAEAA0	D-SUB 09PIN CHROMATED PLASTIC HOOD	1	SET	
			AA202-14POK	GROMMET	1	PCS	

NOTE:

▲ **WARNING**  
Cancer and Reproductive Harm  
www.P65Warnings.ca.gov



MODEL NAME:  
Crimp Type Unshielded Plastic Hood Kit

MARK EXPLAIN:  
 ▲:Revision Change  
 ①:Important Dimension  
 ①:Note

TOLERANCE:  
 0.000:  
 0.00 : ±0.20  
 0.0 : ±0.30  
 0. : ±0.40  
 ANGLE: ±3.0°  
 UNIT: mm

PART NO. DCT-9XP-KIT  
 APPROVED BY: ALBERTA  
 CHECKED BY: EDEA  
 DRAW BY: ALAN  
 FILE NO. FIG03226  
 SCALE: 1/1  
 DATE: 1080718