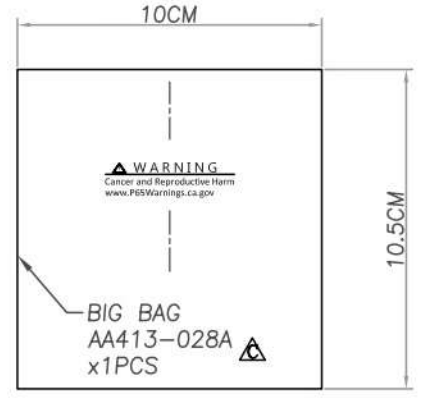
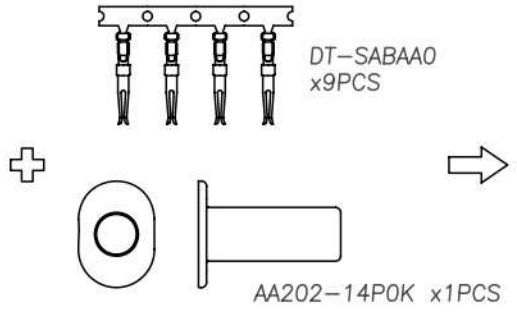
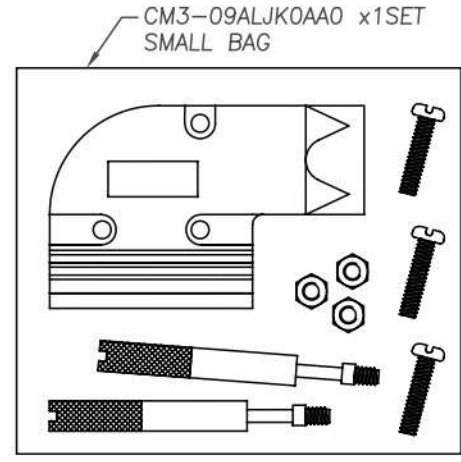
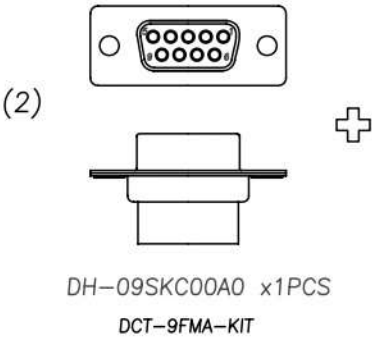
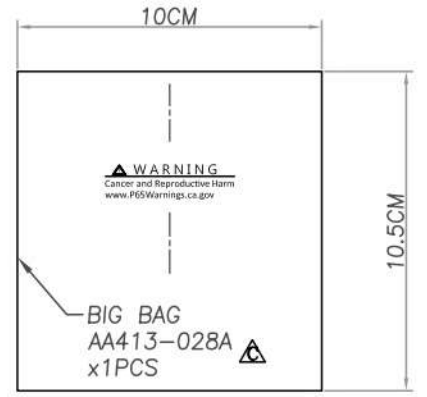
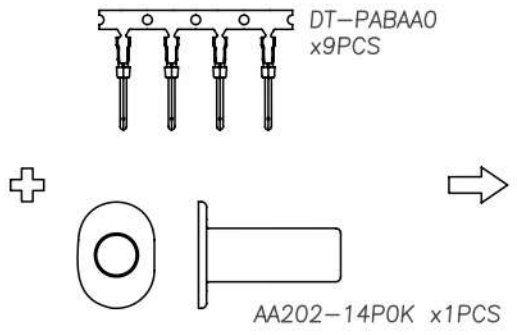
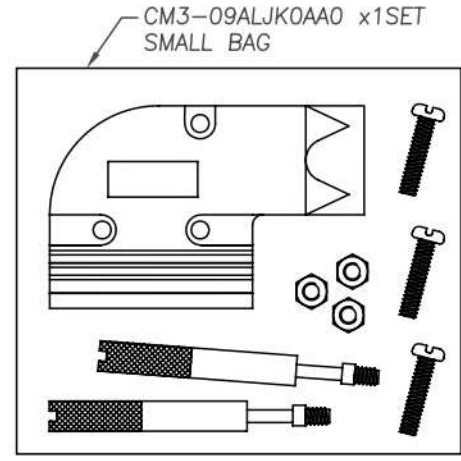
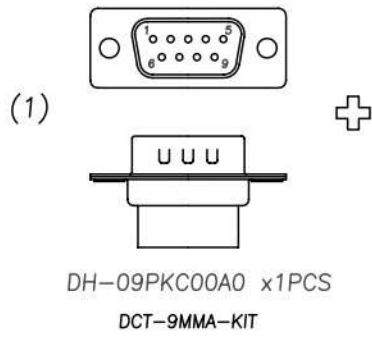


RoHS COMPLIANT

REV	DATE	DESCRIPTION
B	04/09/"21	OD9→OD11
C	06/24/"22	

Apply: Alberta



NO.	CC+ P/N	Internal P/N	ITEM P/N	DESCRIPTION	Q'TY	UNIT	PRODUCT PACKING
1	DCT-9MMA-KIT	DH-09PKC00LA	DH-09PKC00A0	D-SUB 09PIN CRIMP TYPE MALE	1	PCS	BIG BAG:10.5*10*0.05CM
			DT-PABAA0	CRIMP TYPE MALE TERMINAL	9	PCS	
			CM3-09ALJK0AA0	D-SUB 09PIN METAL R/A HOOD OD:11MM	1	SET	
			AA202-14POK	GROMET	1	PCS	
2	DCT-9FMA-KIT	DH-09SKC00LA	DH-09SKC00A0	D-SUB 09PIN CRIMP TYPE FEMALE	1	PCS	BIG BAG:10.5*10*0.05CM
			DT-SABAA0	CRIMP TYPE FEMALE TERMINAL	9	PCS	
			CM3-09ALJK0AA0	D-SUB 09PIN METAL R/A HOOD OD:11MM	1	SET	
			AA202-14POK	GROMET	1	PCS	

NOTE:
WARNING
Cancer and Reproductive Harm
www.P65Warnings.ca.gov



MODEL NAME:
Crimp Type Shielded Metal Elbow Hood Kit

MARK EXPLAIN:
⚠:Revision Change
①:Important Dimension
①:Note

TOLERANCE:
0.000:
0.00 : ±0.20
0.0 : ±0.30
0. : ±0.40
ANGLE: ±3.0°

PART NO. DCT-9XMA-KIT

APPROVED BY: ALBERTA

CHECKED BY: EDEA

DRAW BY: ALAN

FILE NO. FIG03255-1

SCALE: 1/1

DATE : 1100409