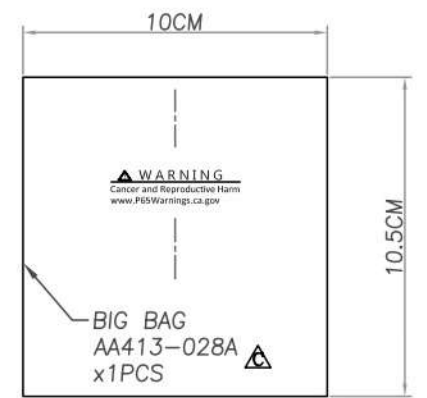
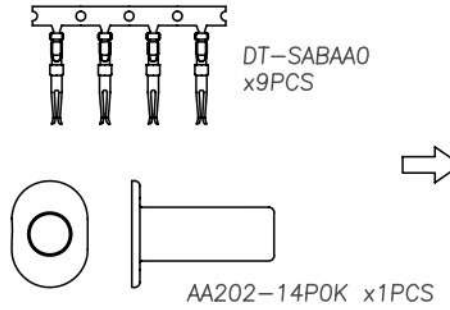
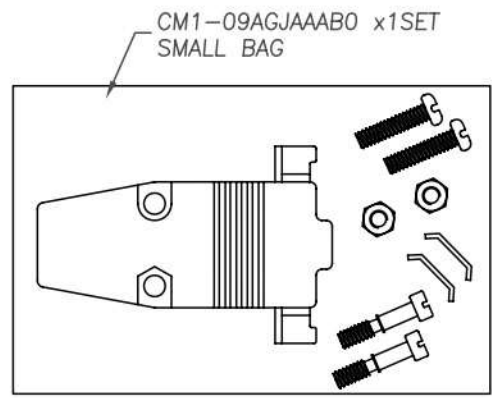
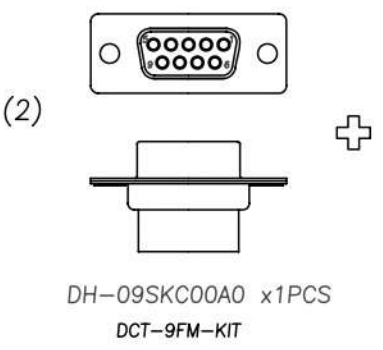
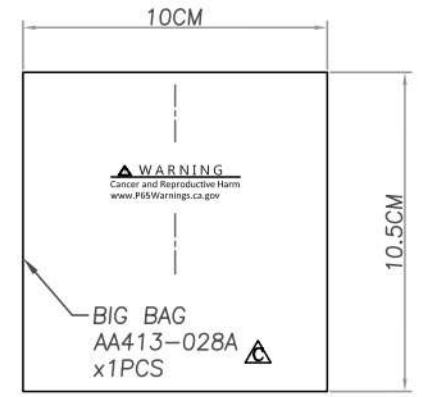
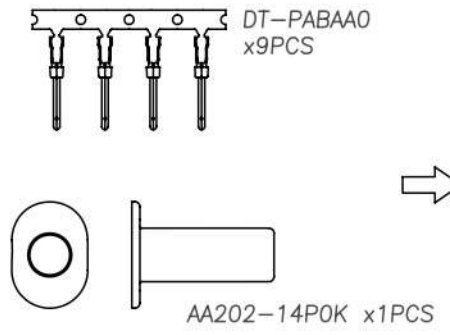
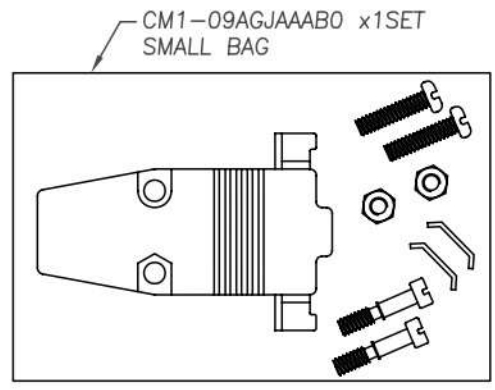
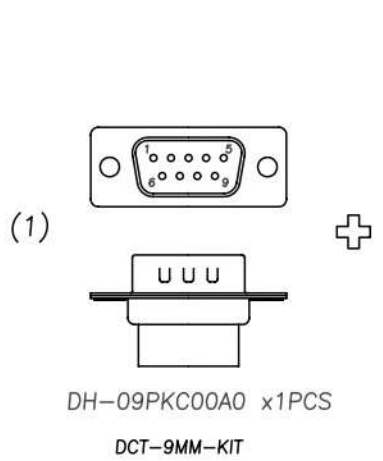


RoHS COMPLIANT

REV	DATE	DESCRIPTION
C	06/24/'22	Apply: Alberta



NO.	CC+ P/N	Internal P/N	ITEM P/N	DESCRIPTION	Q'TY	UNIT	PRODUCT PACKING
1	DCT-9MM-KIT	DH-09PKC00CA	DH-09PKC00A0	D-SUB 09PIN CRIMP TYPE MALE	1	PCS	BIG BAG:10.5*10*0.05CM
			DT-PABAA0	CRIMP TYPE MALE TERMINAL	9	PCS	
			CM1-09AGJAAAB0	D-SUB 09PIN METAL HOOD OD:9MM	1	SET	
			AA202-14POK	GROMMET	1	PCS	
2	DCT-9FM-KIT	DH-09SKC00CA	DH-09SKC00A0	D-SUB 09PIN CRIMP TYPE FEMALE	1	PCS	BIG BAG:10.5*10*0.05CM
			DT-SABAA0	CRIMP TYPE FEMALE TERMINAL	9	PCS	
			CM1-09AGJAAAB0	D-SUB 09PIN METAL HOOD OD:9MM	1	SET	
			AA202-14POK	GROMMET	1	PCS	

NOTE:
WARNING
Cancer and Reproductive Harm
www.P65Warnings.ca.gov



MODEL NAME:
Crimp Type Shielded Metal Hood Kit

MARK EXPLAIN:
 ⚠:Revision Change
 I:Important Dimension
 Ⓜ:Note

TOLERANCE:
 0.00:
 0.00 : ±0.20
 0.0 : ±0.30
 0. : ±0.40
 ANGLE: ±3.0°
 UNIT: mm

PART NO. DCT-9XM-KIT
 APPROVED BY: ALBERTA
 CHECKED BY: EDEA
 DRAW BY: ALAN
 FILE NO. FIG03222
 SCALE: 1/1
 DATE: 1080718