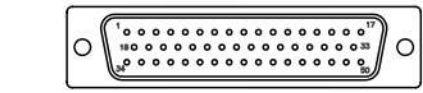


RoHS COMPLIANT

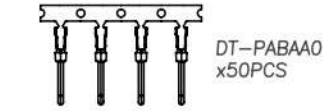
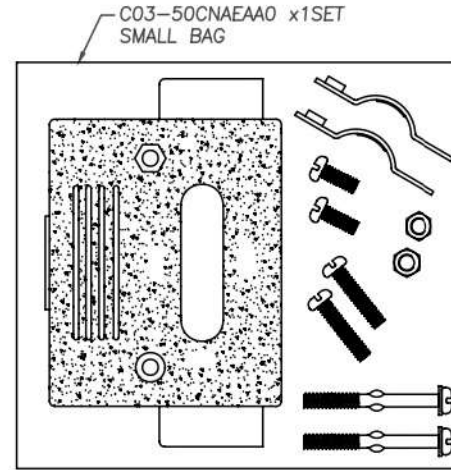
REV	DATE	DESCRIPTION
C	06/24/"22	Apply: Alberta



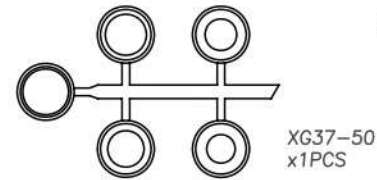
(1)



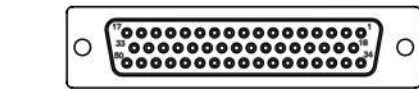
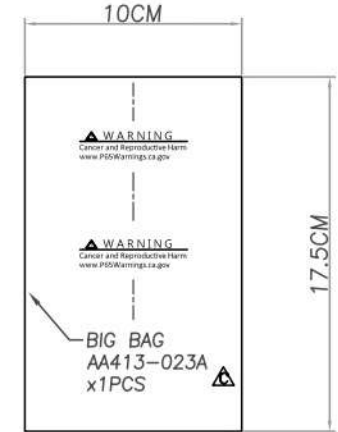
DH-50PKC00A0 x1PCS  
DCT-50MMP-KIT



+



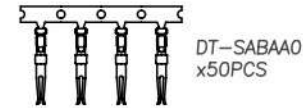
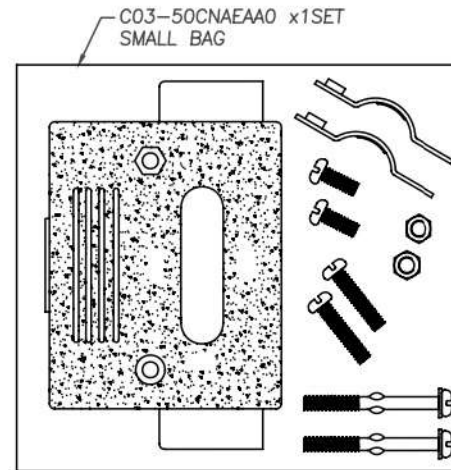
➔



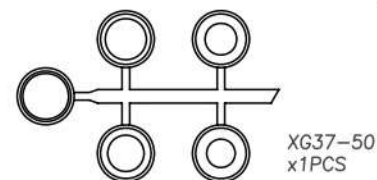
(2)



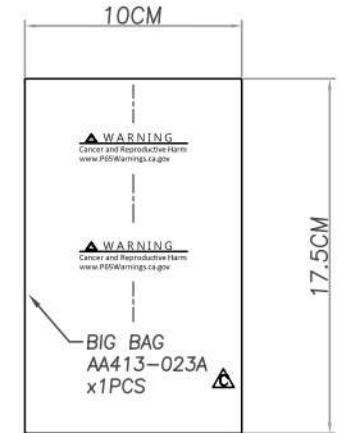
DH-50SKC00A0 x1PCS  
DCT-50FMP-KIT



+



➔



NO.	CC+ P/N	Internal P/N	ITEM P/N	DESCRIPTION	Q'TY	UNIT	PRODUCT PACKING
1	DCT-50MMP-KIT	DH-50PKC00DA	DH-50PKC00A0	D-SUB 50PIN CRIMP TYPE MALE	1	PCS	BIG BAG:17.5*10*0.05CM
			DT-PABAA0	CRIMP TYPE MALE TERMINAL	50	PCS	
			C03-50CNAA0A0	D-SUB 50PIN CHROMATED PLASTIC HOOD	1	SET	
			XG37-50	GROMET	1	PCS	
2	DCT-50FMP-KIT	DH-50SKC00DA	DH-50SKC00A0	D-SUB 50PIN CRIMP TYPE FEMALE	1	PCS	BIG BAG:17.5*10*0.05CM
			DT-SABAA0	CRIMP TYPE FEMALE TERMINAL	50	PCS	
			C03-50CNAA0A0	D-SUB 50PIN CHROMATED PLASTIC HOOD	1	SET	
			XG37-50	GROMET	1	PCS	

NOTE:  
**⚠ WARNING**  
Cancer and Reproductive Harm  
www.P65Warnings.ca.gov



MODEL NAME:

Crimp Type Unshielded Plastic Hood Kit

MARK EXPLAIN:  
⚠:Revision Change  
①:Important Dimension  
①:Note

TOLERANCE:  
0.000:  
0.00 : ±0.20  
0.0 : ±0.30  
0. : ±0.40  
ANGLE: ±3.0°  
UNIT: mm

PART NO. DCT-50XMP-KIT

APPROVED BY: ALBERTA

CHECKED BY: EDEA

DRAW BY: ALAN

FILE NO. FIG03230

SCALE: 1/1

DATE: 1080718