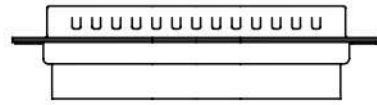
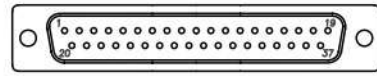


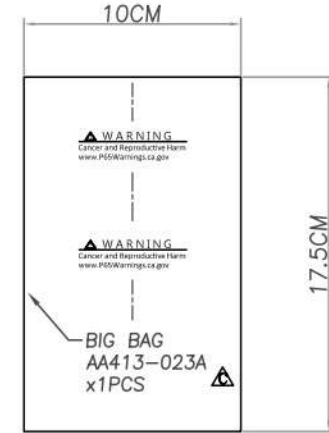
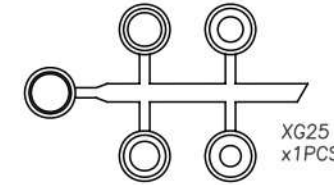
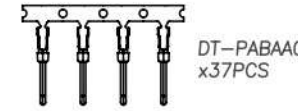
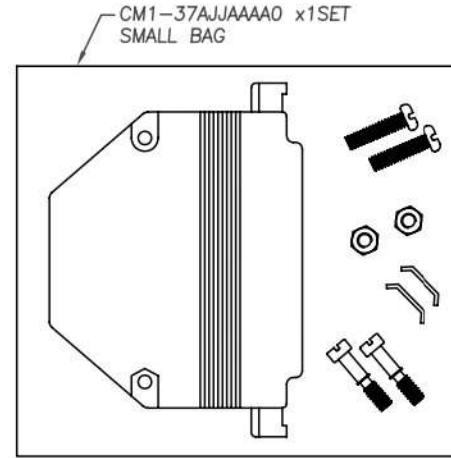
RoHS COMPLIANT

REV	DATE	DESCRIPTION
C	06/24/"22	Apply: Alberta

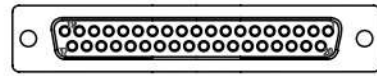
(1)



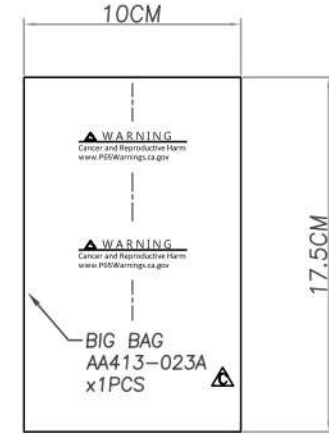
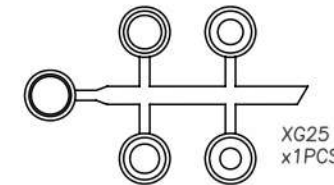
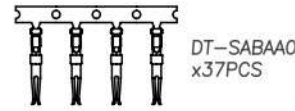
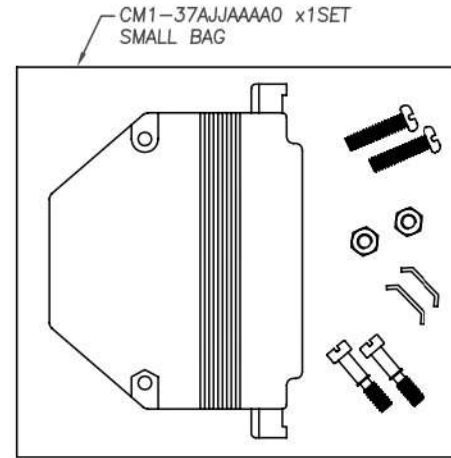
DH-37PKC00A0 x1PCS
DCT-37MM-KIT



(2)



DH-37SKC00A0 x1PCS
DCT-37FM-KIT



NO.	CC+ P/N	Internal P/N	ITEM P/N	DESCRIPTION	Q'TY	UNIT	PRODUCT PACKING
1	DCT-37MM-KIT	DH-37PKC00BA	DH-37PKC00A0	D-SUB 37PIN CRIMP TYPE MALE	1	PCS	BIG BAG:17.5*10*0.05CM
			DT-PABAA0	CRIMP TYPE MALE TERMINAL	37	PCS	
			CM1-37AJJAAAA0	D-SUB 37PIN METAL HOOD OD:10MM	1	SET	
			XG25	GROMET	1	PCS	
2	DCT-37FM-KIT	DH-37SKC00BA	DH-37SKC00A0	D-SUB 37PIN CRIMP TYPE FEMALE	1	PCS	BIG BAG:17.5*10*0.05CM
			DT-SABAA0	CRIMP TYPE FEMALE TERMINAL	37	PCS	
			CM1-37AJJAAAA0	D-SUB 37PIN METAL HOOD OD:10MM	1	SET	
			XG25	GROMET	1	PCS	

NOTE:
WARNING
Cancer and Reproductive Harm
www.P65Warnings.ca.gov



MODEL NAME:
Crimp Type Shielded Metal Hood Kit

MARK EXPLAIN:
 ⚠:Revision Change
 I:Important Dimension
 ①:Note

TOLERANCE:
 0.00:
 0.00 : ±0.20
 0.0 : ±0.30
 0. : ±0.40
 ANGLE: ±3.0°
 UNIT: mm

PART NO. DCT-37XM-KIT
 APPROVED BY: ALBERTA
 CHECKED BY: EDEA
 DRAW BY: ALAN
 FILE NO. FIG03239
 SCALE: 1/1
 DATE : 1080918