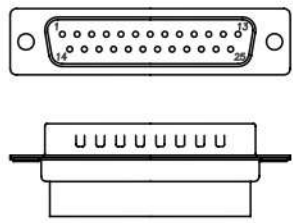


RoHS COMPLIANT

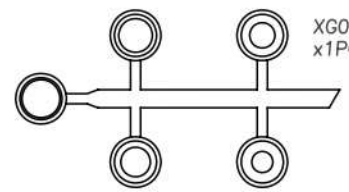
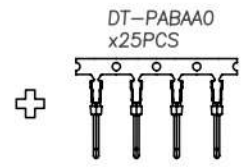
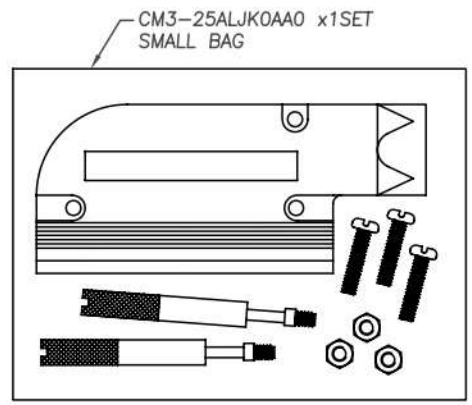
REV	DATE	DESCRIPTION
B	04/09/"21	OD9→OD11
C	06/24/"22	

Apply: Alberta

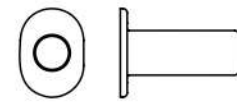
(1)



DH-25PKC00A0 x1PCS
DCT-25MMA-KIT



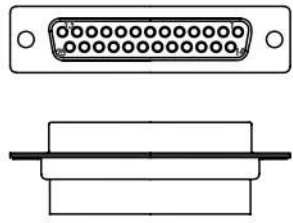
XG09-15
x1PCS



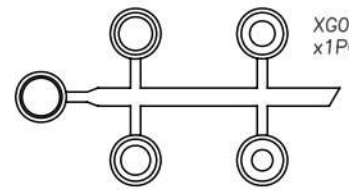
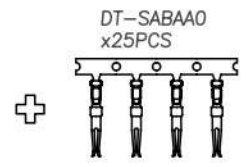
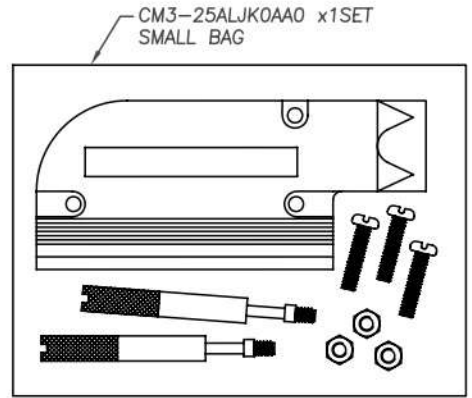
AA202-14POK
x1PCS



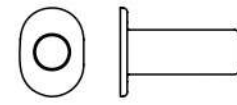
(2)



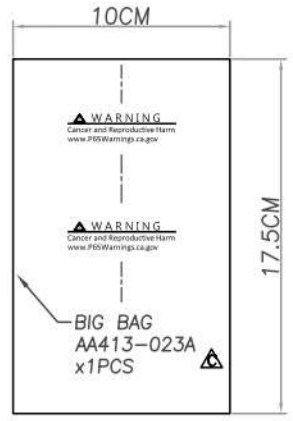
DH-25SKC00A0 x1PCS
DCT-25FMA-KIT



XG09-15
x1PCS



AA202-14POK
x1PCS



NO.	CC+ P/N	Internal P/N	ITEM P/N	DESCRIPTION	Q'TY	UNIT	PRODUCT PACKING
1	DCT-25MMA-KIT	DH-25PKC00LC	DH-25PKC00A0	D-SUB 25PIN CRIMP TYPE MALE	1	PCS	BIG BAG:17.5*10*0.05CM
			DT-PABAA0	CRIMP TYPE MALE TERMINAL	25	PCS	
			CM3-25ALJK0AA0	D-SUB 25PIN METAL R/A HOOD OD:11MM	1	SET	
			XG09-15	GROMMET	1	PCS	
			AA202-14POK	GROMMET	1	PCS	
2	DCT-25FMA-KIT	DH-25SKC00LC	DH-25SKC00A0	D-SUB 25PIN CRIMP TYPE FEMALE	1	PCS	BIG BAG:17.5*10*0.05CM
			DT-SABAA0	CRIMP TYPE FEMALE TERMINAL	25	PCS	
			CM3-25ALJK0AA0	D-SUB 25PIN METAL R/A HOOD OD:9MM	1	SET	
			XG09-15	GROMMET	1	PCS	
			AA202-14POK	GROMMET	1	PCS	

NOTE:

WARNING
Cancer and Reproductive Harm
www.P65Warnings.ca.gov



MODEL NAME:
Crimp Type Shielded Metal Elbow Hood Kit

MARK EXPLAIN:
 ⚠:Revision Change
 I:Important Dimension
 Ⓜ:Note

TOLERANCE:
 0.00:
 0.00 : ±0.20
 0.0 : ±0.30
 0. : ±0.40
 ANGLE: ±3.0°
 UNIT: mm

PART NO. DCT-25XMA-KIT

APPROVED BY: ALBERTA

CHECKED BY: EDEA

DRAW BY: ALAN

FILE NO. FIG03257-1

SCALE: 1/1

DATE: 1100408