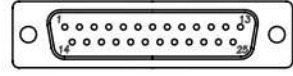


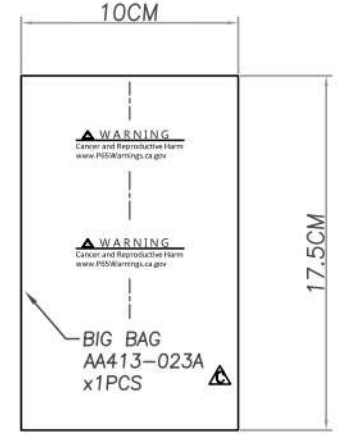
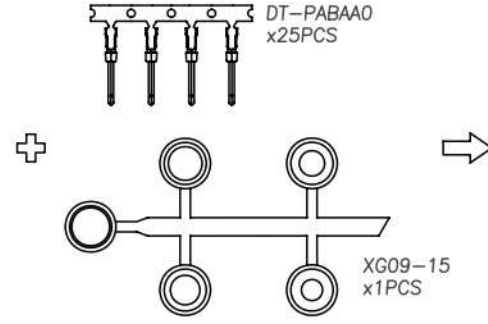
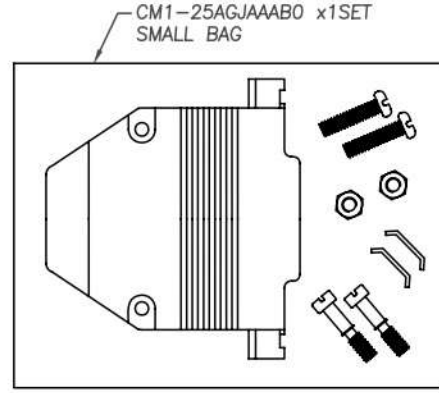
RoHS COMPLIANT

REV	DATE	DESCRIPTION
C	06/24/"22	Apply: Alberta

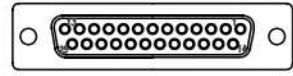
(1)



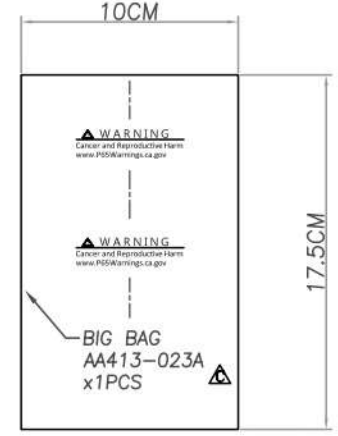
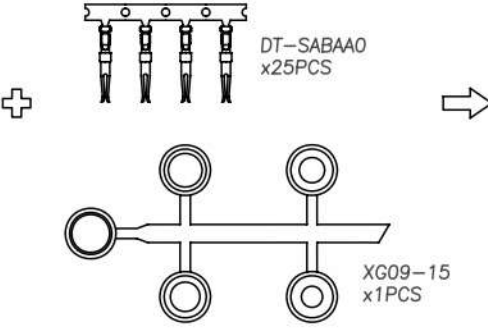
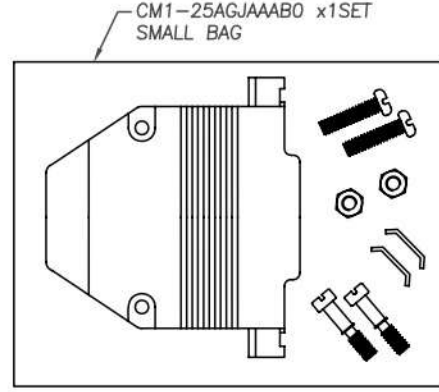
DH-25PKC00A0 x1PCS
DCT-25MM-KIT



(2)



DH-25SKC00A0 x1PCS
DCT-25FM-KIT



NO.	CC+ P/N	Internal P/N	ITEM P/N	DESCRIPTION	Q'TY	UNIT	PRODUCT PACKING
1	DCT-25MM-KIT	DH-25PKC00CA	DH-25PKC00A0	D-SUB 25PIN CRIMP TYPE MALE	1	PCS	BIG BAG:17.5*10*0.05CM
			DT-PABAA0	CRIMP TYPE MALE TERMINAL	25	PCS	
			CM1-25AGJAAAB0	D-SUB 25PIN METAL HOOD OD:9MM	1	SET	
			XG09-15	GROMET	1	PCS	
2	DCT-25FM-KIT	DH-25SKC00CA	DH-25SKC00A0	D-SUB 25PIN CRIMP TYPE FEMALE	1	PCS	BIG BAG:17.5*10*0.05CM
			DT-SABAA0	CRIMP TYPE FEMALE TERMINAL	25	PCS	
			CM1-25AGJAAAB0	D-SUB 25PIN METAL HOOD OD:9MM	1	SET	
			XG09-15	GROMET	1	PCS	

NOTE:
WARNING
Cancer and Reproductive Harm
www.P65Warnings.ca.gov



MODEL NAME:
Crimp Type Shielded Metal Hood Kit

MARK EXPLAIN:
⚠:Revision Change
I:Important Dimension
①:Note

TOLERANCE:
0.000:
0.00 : ±0.20
0.0 : ±0.30
0. : ±0.40
ANGLE: ±3.0°

PART NO. DCT-25XM-KIT
APPROVED BY: ALBERTA
CHECKED BY: EDEA
DRAW BY: ALAN

FILE NO. FIG03224
SCALE: 1/1
DATE : 1080718