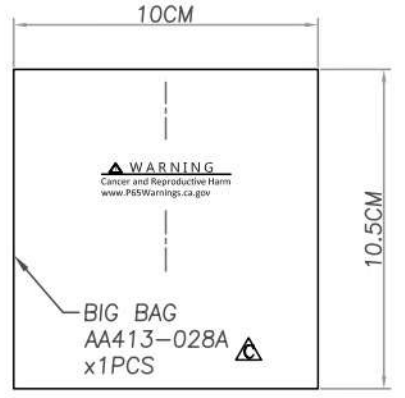
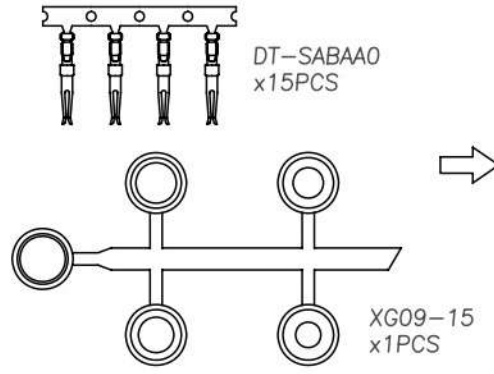
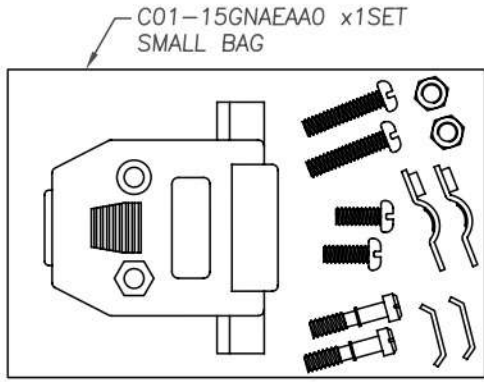
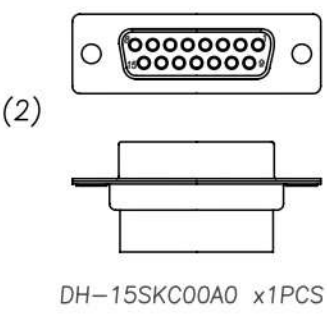
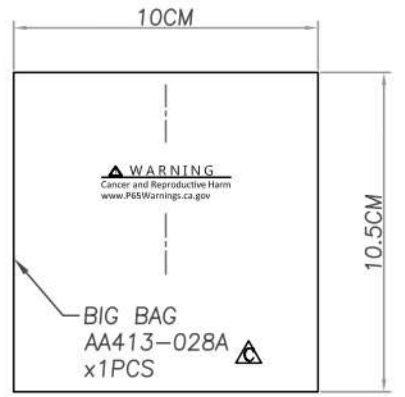
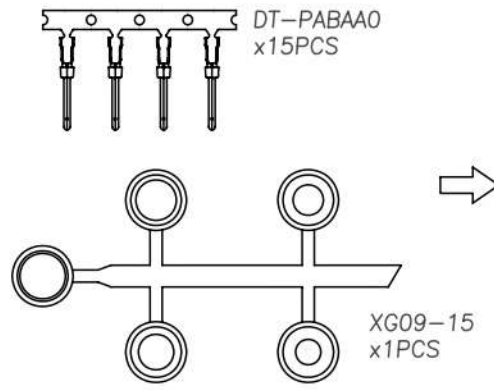
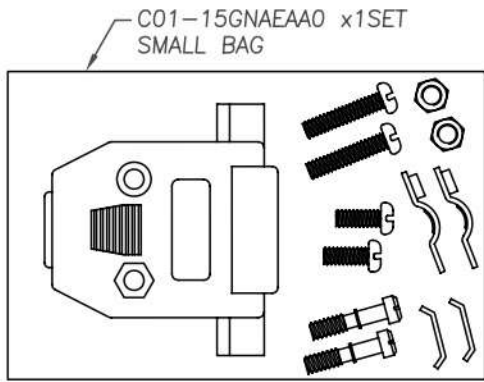
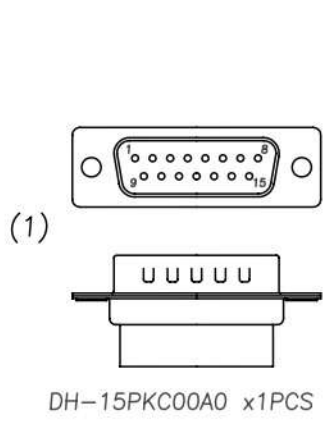


RoHS COMPLIANT

REV	DATE	DESCRIPTION
C	06/24/"22	Apply: Alberta



NO.	CC+ P/N	Internal P/N	ITEM P/N	DESCRIPTION	Q'TY	UNIT	PRODUCT PACKING
1	DCT-15MP-KIT	DH-15PKC00DA	DH-15PKC00A0	D-SUB 15PIN CRIMP TYPE MALE	1	PCS	BIG BAG:10.5*10*0.05CM
			DT-PABAA0	CRIMP TYPE MALE TERMINAL	15	PCS	
			C01-15GNAEAA0	D-SUB 15PIN CHROMATED PLASTIC HOOD	1	SET	
			XG09-15	GROMET	1	PCS	
2	DCT-15FP-KIT	DH-15SKC00DA	DH-15SKC00A0	D-SUB 15PIN CRIMP TYPE FEMALE	1	PCS	BIG BAG:10.5*10*0.05CM
			DT-SABAA0	CRIMP TYPE FEMALE TERMINAL	15	PCS	
			C01-15GNAEAA0	D-SUB 15PIN CHROMATED PLASTIC HOOD	1	SET	
			XG09-15	GROMET	1	PCS	

NOTE:

WARNING
Cancer and Reproductive Harm
www.P65Warnings.ca.gov



MODEL NAME:
Crimp Type Unshielded Plastic Hood Kit

MARK EXPLAIN:
 ⚠:Revision Change
 ①:Important Dimension
 ⓘ:Note

TOLERANCE:
 0.000:
 0.00 : ±0.20
 0.0 : ±0.30
 0. : ±0.40
 ANGLE: ±3.0°
 UNIT: mm

PART NO. DCT-15XP-KIT

APPROVED BY: ALBERTA

CHECKED BY: EDEA

DRAW BY: ALAN

FILE NO. FIG03227

SCALE: 1/1

DATE: 1080718