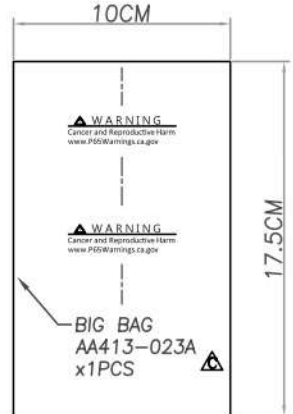
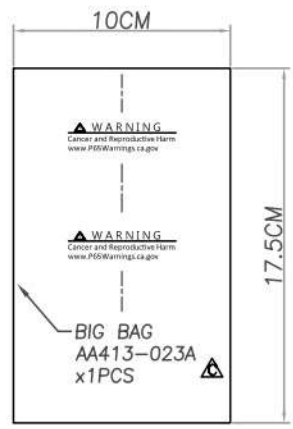
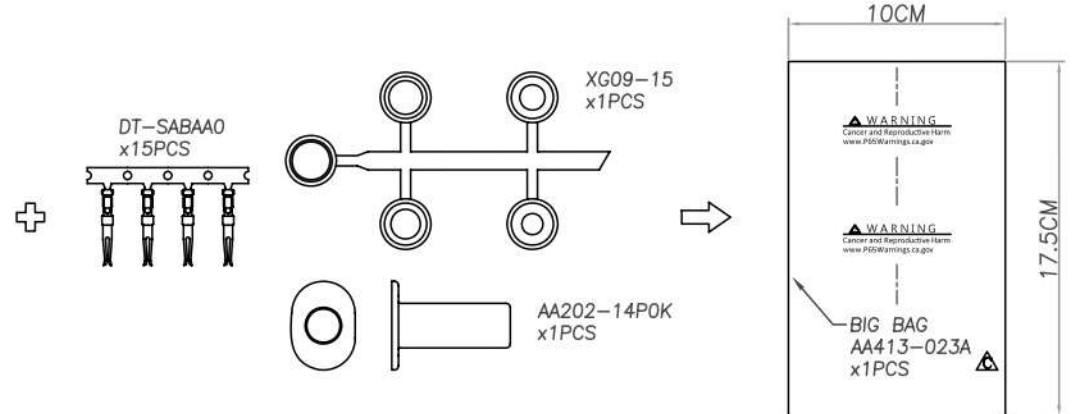
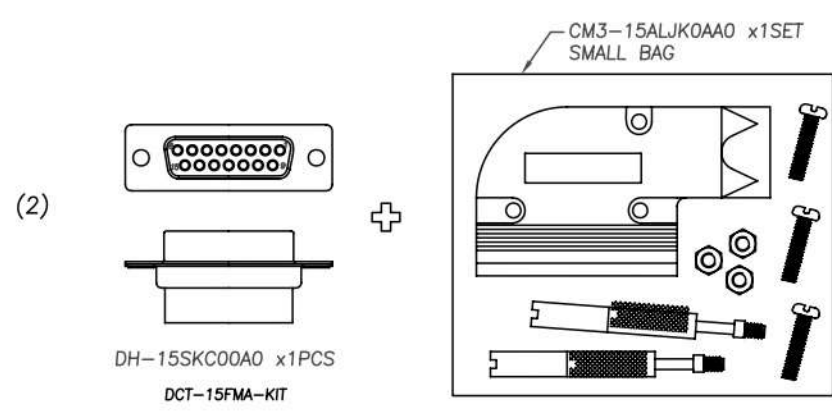
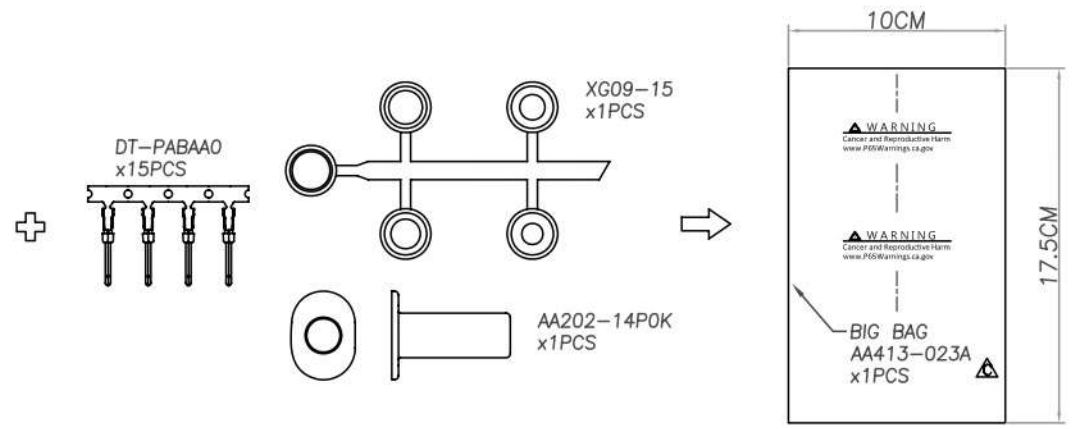
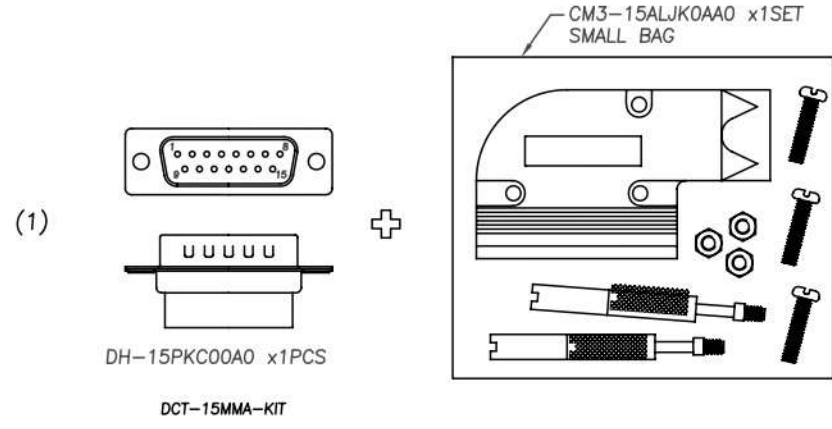


RoHS COMPLIANT

REV	DATE	DESCRIPTION
B	04/09/"21	OD9 → OD11
C	06/24/"22	

Apply: Alberta



NO.	CC+ P/N	Internal P/N	ITEM P/N	DESCRIPTION	Q'TY	UNIT	PRODUCT PACKING
1	DCT-15MMA-KIT	DH-15PKC00LC	DH-15PKC00A0	D-SUB 15PIN CRIMP TYPE MALE	1	PCS	BIG BAG:17.5*10*0.05CM
			DT-PABAA0	CRIMP TYPE MALE TERMINAL	15	PCS	
			CM3-15ALJK0AA0	D-SUB 15PIN METAL R/A HOOD OD:11MM	1	SET	
			XG09-15	GROMET	1	PCS	
			AA202-14POK	GROMET	1	PCS	
2	DCT-15FMA-KIT	DH-15SKC00LC	DH-15SKC00A0	D-SUB 15PIN CRIMP TYPE FEMALE	1	PCS	BIG BAG:17.5*10*0.05CM
			DT-SABAA0	CRIMP TYPE FEMALE TERMINAL	15	PCS	
			CM3-15ALJK0AA0	D-SUB 15PIN METAL R/A HOOD OD:11MM	1	SET	
			XG09-15	GROMET	1	PCS	
			AA202-14POK	GROMET	1	PCS	

NOTE:

△ WARNING  
Cancer and Reproductive Harm  
www.P65Warnings.ca.gov



MODEL NAME:  
Crimp Type Shielded Metal Elbow Hood Kit

MARK EXPLAIN:  
 △:Revision Change  
 I:Important Dimension  
 Ⓢ:Note

TOLERANCE:  
 0.00:  
 0.00 : ±0.20  
 0.0 : ±0.30  
 0. : ±0.40  
 ANGLE: ±3.0°

PART NO. DCT-15XMA-KIT  
 APPROVED BY: ALBERTA  
 CHECKED BY: EDEA  
 DRAW BY: ALAN  
 FILE NO. FIG03256-1  
 SCALE: 1/1  
 DATE: 1100408