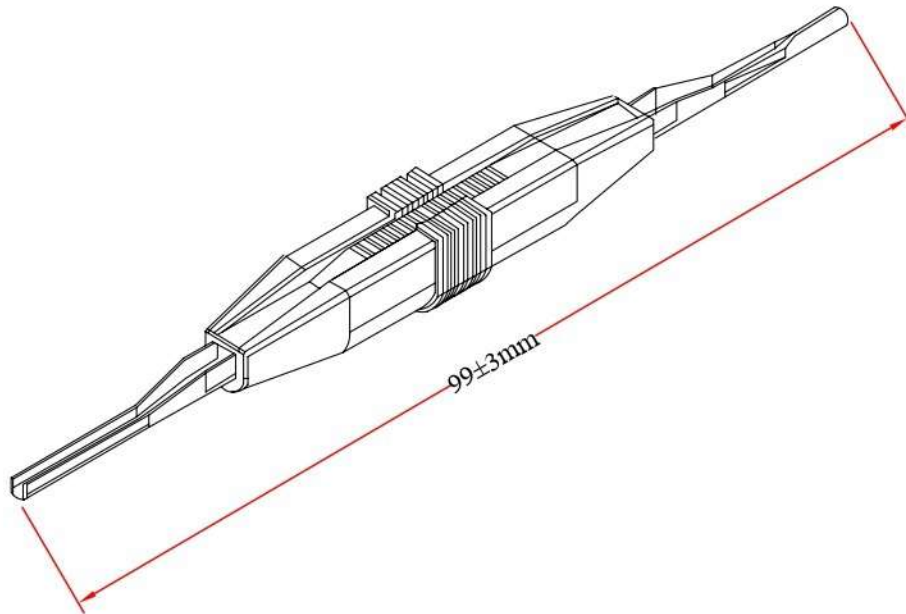



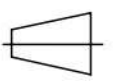

REV.	DESCRIPTION	DATE
A		08-2014

RoHS



Specification:

- * **Function:**
For RS232(20AWG) Crimp Type Contact Pin Use.
The Red end Insert Pin and White end Extract Pin Off.
- * **Length:** 3.9" (99+/-3mm)
- * **Material:**
Copper
ABS Resin
- * **Weight:** 5 g

PART NO.	CPI-TOOL-X			DRAWER	JL
PRODUCT NAME:	D-Sub Pin Insertion and Extraction Tool			CHECKED	
				APPROVED	
MATERIAL		SCALE		 	
REV.	A	UNIT	MM		
DRAWING NO:					
ID(NO.)	108				