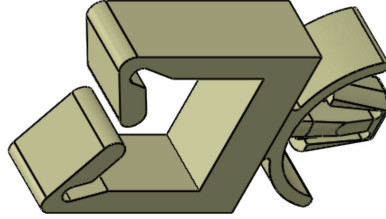
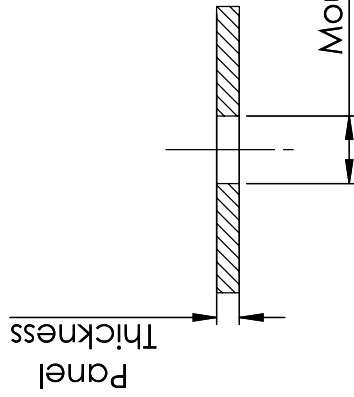
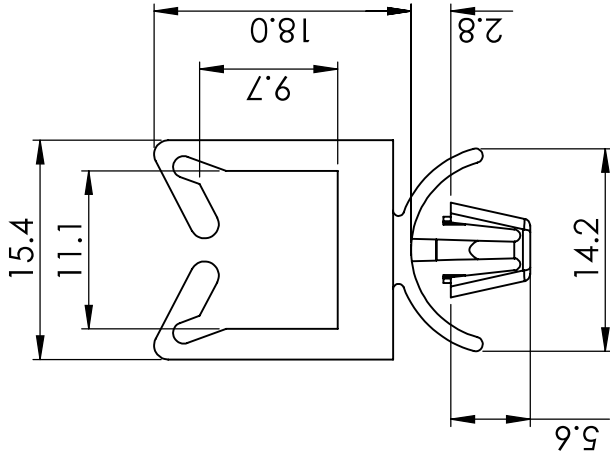


**Mounting Hole**

4.75

**Panel Thickness**

3.2



© 2013 Essentra Components. All rights reserved.  
Registered in England, Company No. 547495.  
Registered Office: Essentra plc  
Langford Locks, Kidlington, Oxford, OX5 1HX

Condition of Sale can be found on our website: [essentra.com](http://essentra.com).

Essentra Components does not warrant that the files will be error free and may create new versions ("Upgrades") at any time, which may correct such errors. Essentra Components has no obligation to notify you of such upgrades. Any upgraded file will be published to the website, when it becomes available.

You are not permitted to load any of the files on to a network server for the purposes of distribution to one or more other computer(s) on that network or to effect such distribution. Essentra Components shall not be liable for any loss or damage whatsoever or however caused, arising directly or indirectly from the use of the files.

**UNCONTROLLED COPY**

STATUS

**APPROVED DRAWING**

**UNLESS OTHERWISE STATED**

**ALL DIMENSIONS IN mm**

**DO NOT SCALE**

LINEAR TOLERANCE

THIRD ANGLE PROJECTION

SIZE	(0)	(0.0)	(0.00)
0-10	±0.5	±0.15	±0.10
>10-30	±0.5	±0.20	±0.15
>30-50	±0.5	±0.30	±0.20
>50-100	±0.8	±0.50	±0.25
>100-200	±1.5	±0.80	±0.40
>200-300	±2.0	±1.20	±0.80
>300-500	±3.0	±2.00	±1.00
>500	±5.0	±3.00	±1.50

ANGULAR TOLERANCE	UNSPECIFIED RADI	DRAFT ANGLE	DIMENSIONS IN BRACKETS [ ] ARE
±0.5 DEGREES	0.25mm	0.5 DEGREES	[ ] ARE
			[ ] INCHES FOR REFERENCE ONLY

CREATE DATE	PA	MATERIAL
28.04.2023		
ITEM CODE	COLOUR	FINISH
10037218	NATURAL	-
LEGACY NUMBER		
WS-A-2-19		

TITLE:  
**NON LOCKING WIRE SADDLE**

DWG. NO.

10037218

SCALE

2:1

SHEET

1 of 2

ISSUE

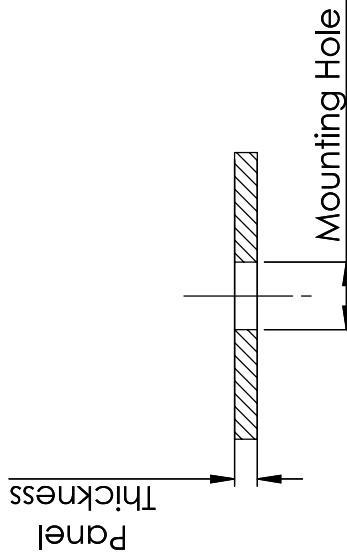
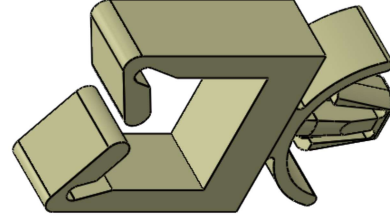
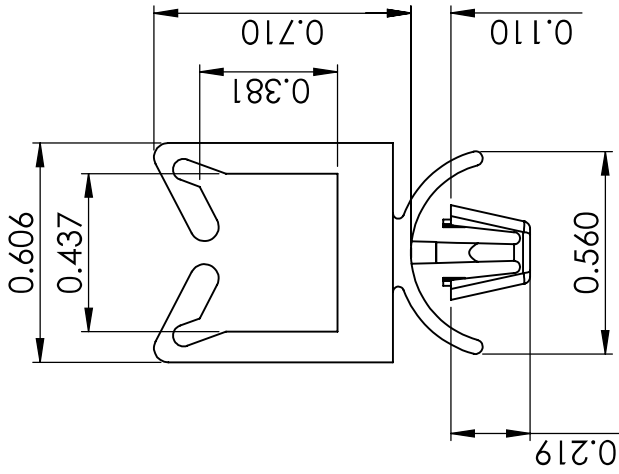
1

**Mounting Hole**

0.187

**Panel Thickness**

0.125



© 2013 Essentra Components. All rights reserved.  
Registered in England, Company No. 547495.  
Registered Office: Essentra plc  
Langford Locks, Kidlington, Oxford, OX5 1HX

Condition of Sale can be found on our website: [essentra.com](http://essentra.com).

Essentra Components does not warrant that the files will be error free and may create new versions ("Upgrades") at any time, which may correct such errors. Essentra Components has no obligation to notify you of such upgrades. Any upgraded file will be published to the website, when it becomes available.

You are not permitted to load any of the files on to a network server for the purposes of distribution to one or more other computer(s) on that network or to effect such distribution. Essentra Components shall not be liable for any loss or damage whatsoever or however caused, arising directly or indirectly from the use of the files.

**UNCONTROLLED COPY**

STATUS

**APPROVED DRAWING**

**UNLESS OTHERWISE STATED**

ALL DIMENSIONS IN inches		DO NOT SCALE	
LINEAR TOLERANCE		THIRD ANGLE PROJECTION	
SIZE	(0.001) (0.000) (0.0000)		
0 - 0.394	+0.020 ±0.006 ±0.004		
>0.394 - 1.181	+0.020 ±0.008 ±0.006		
>1.181 - 1.969	+0.020 ±0.012 ±0.008		
>1.969 - 3.937	+0.031 ±0.020 ±0.010		
>3.937 - 7.874	+0.059 ±0.031 ±0.016		
>7.874 - 11.811	+0.079 ±0.047 ±0.031		
>11.811 - 19.685	+0.118 ±0.079 ±0.039		
>19.685	+0.197 ±0.118 ±0.059		
ANGULAR TOLERANCE			
±0.5 DEGREES			
UNSPECIFIED RADIUS 0.010 inch			
DRAFT ANGLE 0.5 DEGREES			
DIMENSIONS IN BRACKETS [ ] ARE TOLERANCES FOR REFERENCE ONLY			
CREATE DATE	28.04.2023	MATERIAL	PA
ITEM CODE	10037218	COLOR	NATURAL
LEGACY NUMBER	WS-A-2-19	FINISH	-
TITLE: <b>NON LOCKING WIRE SADDLE</b>			
DWG. NO.	10037218	SCALE	2:1
SHEET	2 of 2	ISSUE	1