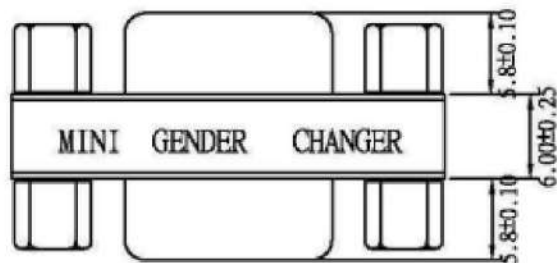
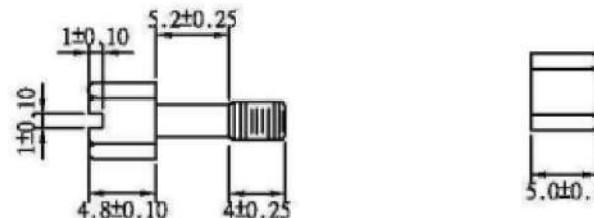
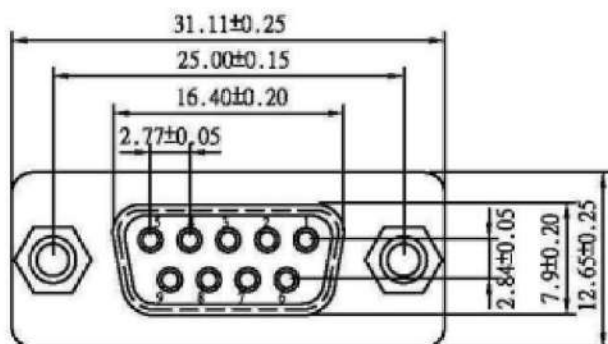
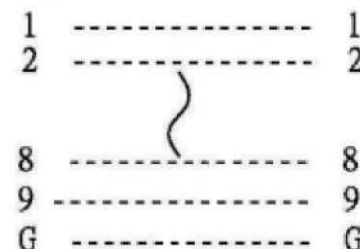


UNC #4-40 Hexscrew    UNC #4-40 Hexnut



DGC 09 F/F GENDER CHANGER

PIN OUT: 9Female                      9Female



Label: yellow color with black character

One side: MINI GENDER CHANGER

The other side: U.S.A. PATENT 5199906 GENDER CHANGER

SPECIFICATION

INSULATOR: PBT Glass fibre reinforced (blue)

CONTACT: Brass

CONTACT PLATING: Gold plated over nickel

SHELL: Tin Plated Shell

			Edition A1		MINI GENDER CHANGER DB9 FEMALE TO FEMALE		CompuCable <sup>USA</sup>	
			SCALE 2:1		PART NO. MINIGC-9C6		DATE 2008/04/10	
			UNIT mm		<small>UNLESS OTHERWISE SPECIFIED TOLERANCES:</small> 0.0: 0.20 0.05: 0.15 0.08: 0.15		<small>DRWG NO.</small> <small>DATE</small>	
1			2001/12/5		Page 1/1		<small>APPRD</small>	
Customer	REVISION	DESCRIPTION	DATE	产品序号 10001430		DRAWN Wei Peng	CHECKED	
		修改貼紙(R.O.C. PATENT 64341 <small>GENDER CHANGER</small> 改稱MINI GENDER CHANGER)						