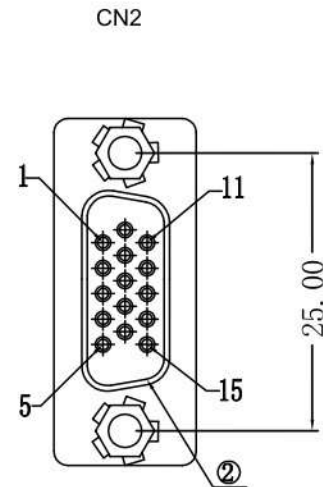
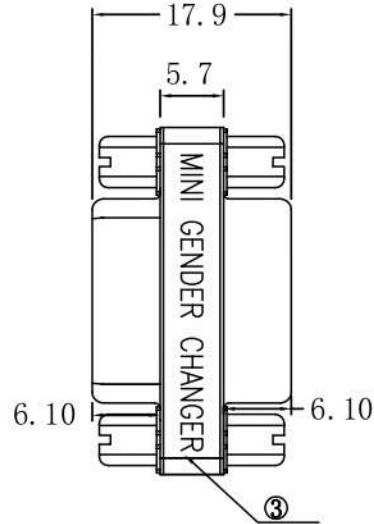
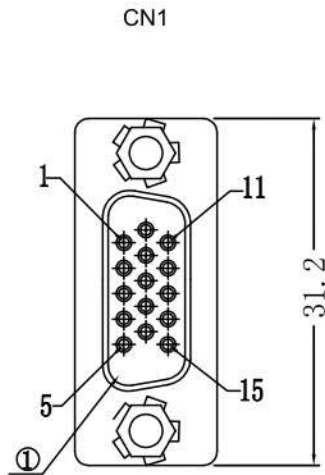
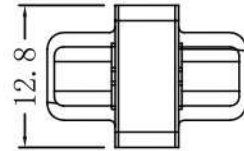


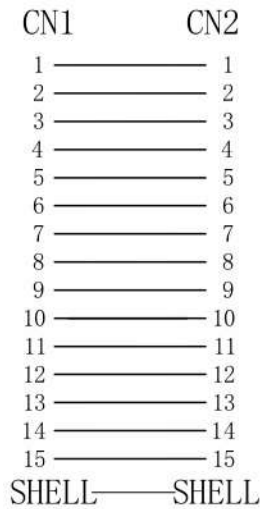
NOTE:ALL MATERIAL COMPLIANT ROHS STANDARD

REVISION INFORMATION

Rev.	Rev. Date	Modified By	Brief Description



WIRE DIAGRAM



NOTE:

- 100% short/open circuited&wrong connection test conditions.
- Conduction impedance  $\leq 5\Omega$ , Insulation resistance  $\geq 10M\Omega$ . High voltage test, DC300V/10mS
- Marked with ▲ which is important measurement dimensions

DRAWN BY	DATE: 2015/12/25	DESCRIPTION: DB15HD Female/Female Mini Gender Changer	
CHECKED BY	SHEET 1of1	ITEM NO. 271004	
APPROVED BY	SCALE 1:1	REV. 00	UNIT:mm

NO.	PART NAME	SPECIFICATION DESCRIPTION	QTY	UNIT
①	CONN	DB 15P F CONNECOR	1	PCS
②	CONN	DB 15P F CONNECOR	1	PCS
③	THE CONNECTION	CONNECTOR THE CONNECTION	15	PCS

Unless specified on the drawing, tolerances are per the follows:

.	+1
.x	+0.2
.xx	+0.05