



SR13F-A1

SR13 Series Hall-Effect Digital Position Sensor; Snap-in Housing; Sinking Output; unipolar magnetics; 3.8 to 30 Vdc supply voltage

Features

- Digital current sinking output
- Quad-Hall design eliminates stress effects
- Temperature compensated magnetics
- High output capability

Representative photograph, actual product appearance may vary.

Due to regional agency approval requirements, some products may not be available in your area. Please contact your regional Honeywell office regarding your product of choice.

Description

The newly introduced SR13/15 Series package enhancements permit quick and easy sensor installation, increasing the usability of the SS400 Series. These devices can be installed without additional mounting hardware. The snap-in and flat mount sensor packages can house any of the present SS400 Series sensors or any similarly sized sensing elements.



SR13F-A1

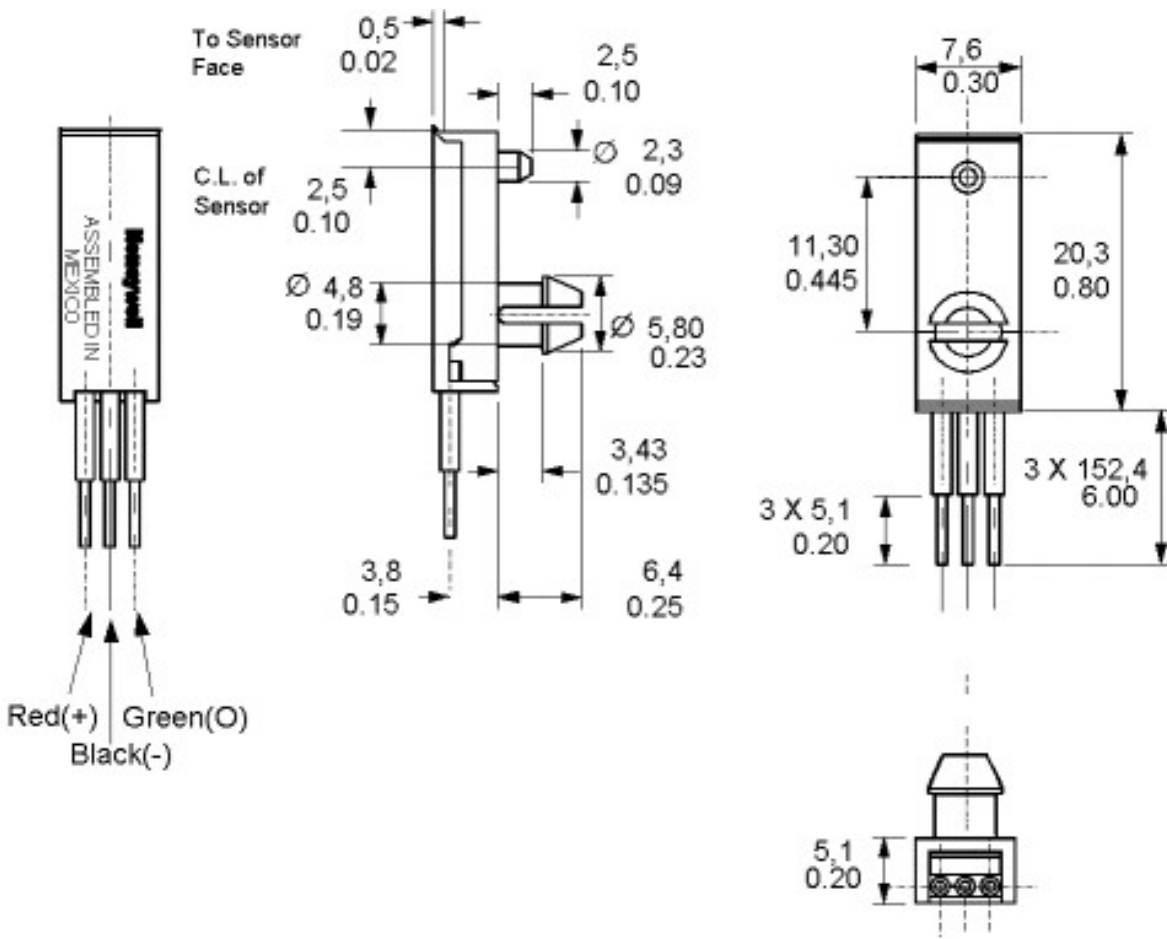
SR13 Series Hall-Effect Digital Position Sensor; Snap-in Housing; Sinking Output; unipolar magnetics; 3.8 to 30 Vdc supply voltage

Product Specifications	
Product Type	Hall-Effect Digital Position Sensor
Package Style	Plastic Snap-in
Supply Voltage	3.8 Vdc to 30.0 Vdc
Output Type	Sink
Termination Type	152,4 mm [6.0 in] stranded lead wires
Magnetic Actuation Type	Unipolar
Operating Temperature Range	-40 °C to 150 °C [-40 °F to 302 °F]
Output Voltage	0.4 Vdc max.
Availability	Global
Supply Current (max. @ 25 °C)	13 mA
Output Current (max.)	20 mA
Operate Point @ 25 °C	39.0 mT [390 G] max.
Release Point @ 25 °C	23.5 mT [235 G] min.
Differential	3.0 mT [30 G] min.
Series Name	SR13 Series

Honeywell

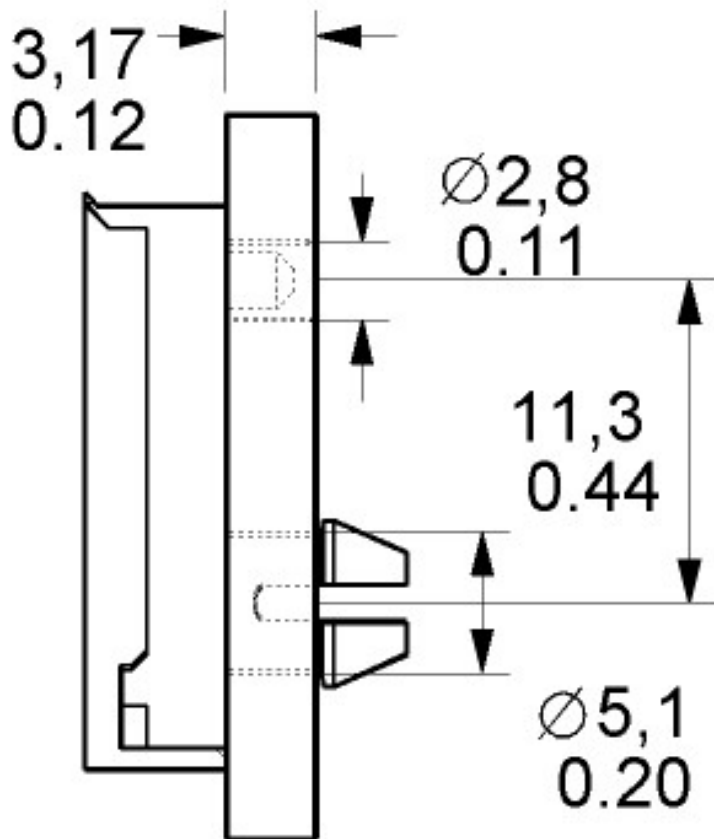
SR13F-A1

SR13 Series Hall-Effect Digital Position Sensor; Snap-in Housing; Sinking Output; unipolar magnetics; 3.8 to 30 Vdc supply voltage



SR13F-A1

SR13 Series Hall-Effect Digital Position Sensor; Snap-in Housing; Sinking Output; unipolar magnetics; 3.8 to 30 Vdc supply voltage



Honeywell

SR13F-A1

SR13 Series Hall-Effect Digital Position Sensor; Snap-in Housing; Sinking Output; unipolar magnetics; 3.8 to 30 Vdc supply voltage

⚠ WARNING

PERSONAL INJURY

DO NOT USE these products as safety or emergency stop devices, or in any other application where failure of the product could result in personal injury.

Failure to comply with these instructions could result in death or serious injury.

 **WARNING**

MISUSE OF DOCUMENTATION

- The information presented in this product sheet (or catalog) is for reference only. DO NOT USE this document as product installation information.
- Complete installation, operation and maintenance information is provided in the instructions supplied with each product.

Failure to comply with these instructions could result in death or serious injury.

© Copyright Honeywell Inc. 1998-2004 All rights reserved.