

SQUARE FLANGE MOUNTED HIGH LOAD BEARING ASSEMBLY

PART NUMBERS: 11008-000, 11008-002, 11008-003, 11008-004

Introduction

This accessory has a square flange on a sturdy cast aluminum base, a high load bearing and shaft, a flexible shaft coupling and an integral flange that accepts a Model H25D, H20DB or H38D encoder. The high load shaft is 5/8" diameter with flat. This high load bearing assembly has a flange mount for easy installation. It is used for encoder applications which are subject to high side loads which can reducing bearing life considerably. Encoder is ordered separately.



Features

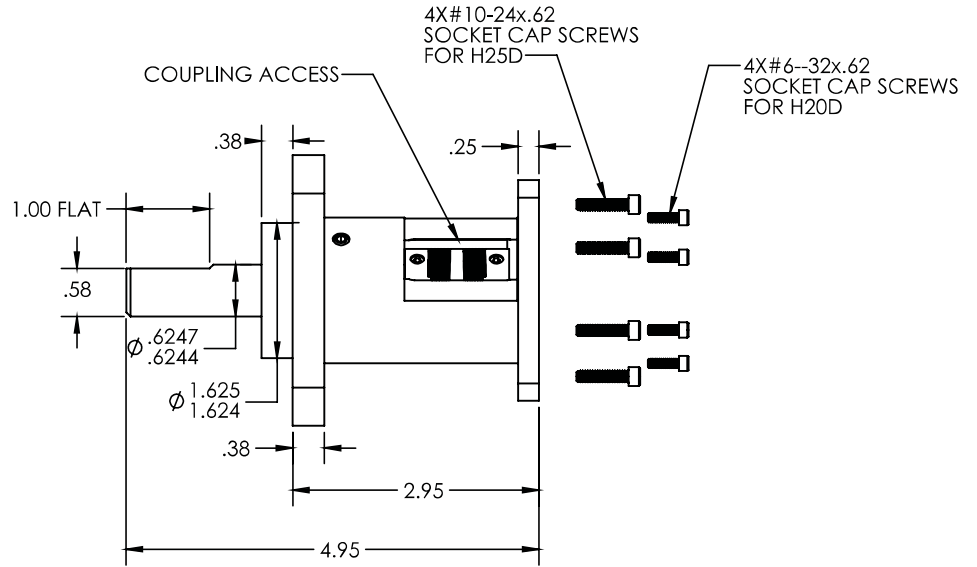
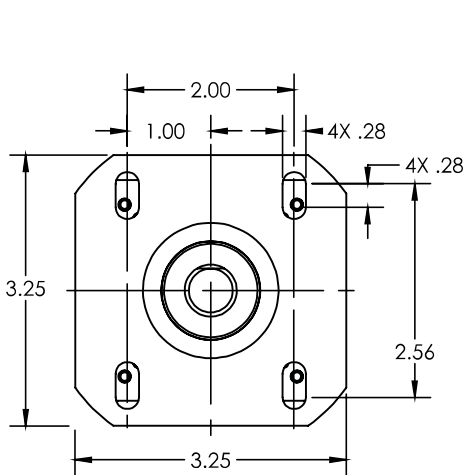
- Light weight cast aluminum
- Flange mount for easy installation
- Supports very high shaft loads
- Integral shaft coupling
- Fits three different encoder models

SPECIFICATIONS

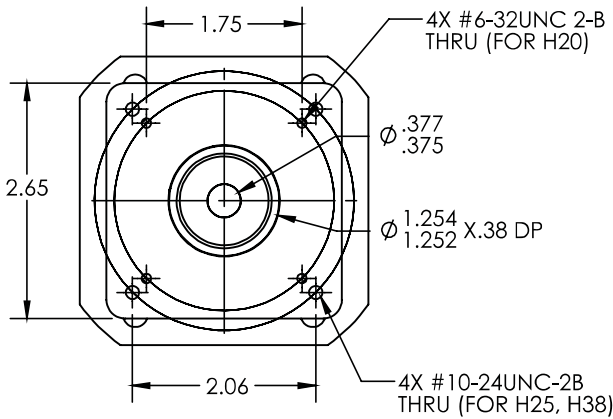
Encoder Model	Adapter	Hardware to mount encoder to accessory	PN to Order
H20D	N/R	Included	11008-003
H25D or H20D	N/R	Included	11008-000
H25D	N/R	Included	11008-002
H38D - UL	Included	Included	11008-004



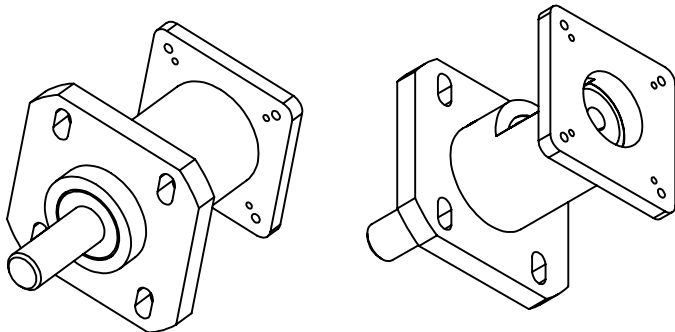
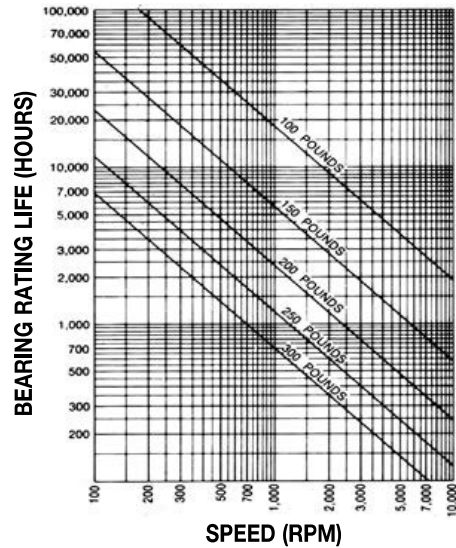
DIMENSIONS
All dimensions are in inches



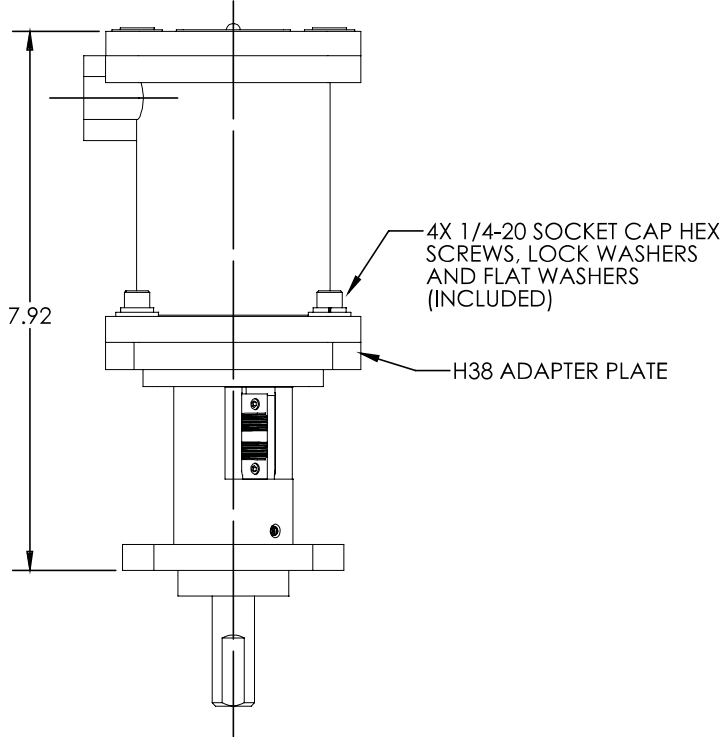
11008-000
HIGH-LOAD BEARING
ASSEMBLY INCLUDES HARDWARE
FOR BOTH H25D AND H20D
(SOLD SEPARATELY)



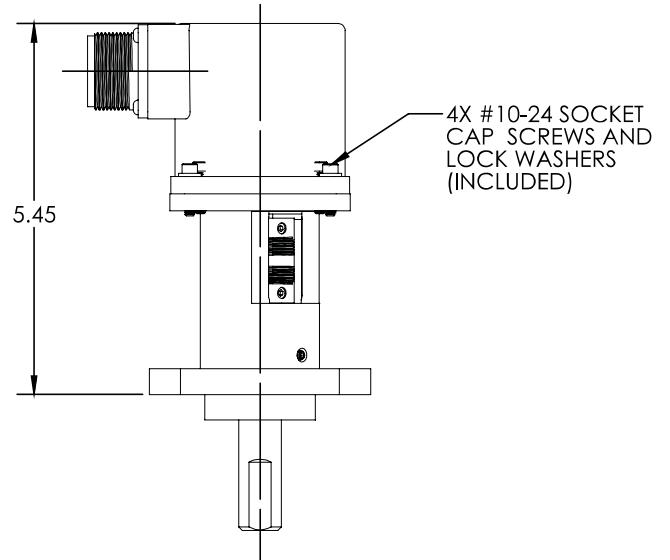
Bearing Life vs. Speed at Various Radial Loads



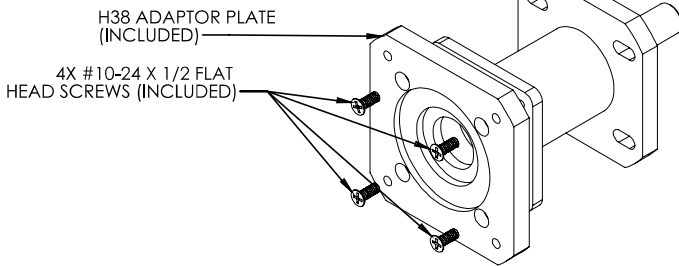
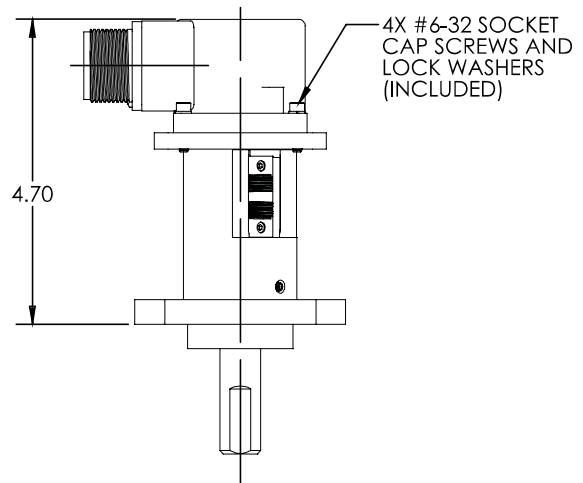
11008-004
HIGH-LOAD
BEARING ASSY FOR
H38 UL OR H38 CEN
(SOLD SEPARATELY)



11008-002
HIGH-LOAD BEARING
ASSEMBLY FOR H25D
(SOLD SEPARATELY)



11008-003
HIGH-LOAD BEARING
ASSEMBLY FOR H20D
(SOLD SEPARATELY)



Sensata Technologies, Inc. ("Sensata") data sheets are solely intended to assist designers ("Buyers") who are developing systems that incorporate Sensata products (also referred to herein as "components"). Buyer understands and agrees that Buyer remains responsible for using its independent analysis, evaluation and judgment in designing Buyer's systems and products. Sensata data sheets have been created using standard laboratory conditions and engineering practices. Sensata has not conducted any testing other than that specifically described in the published documentation for a particular data sheet. Sensata may make corrections, enhancements, improvements and other changes to its data sheets or components without notice.

Buyers are authorized to use Sensata data sheets with the Sensata component(s) identified in each particular data sheet. HOWEVER, NO OTHER LICENSE, EXPRESS OR IMPLIED, BY ESTOPPEL OR OTHERWISE TO ANY OTHER SENSATA INTELLECTUAL PROPERTY RIGHT, AND NO LICENSE TO ANY THIRD PARTY TECHNOLOGY OR INTELLECTUAL PROPERTY RIGHT, IS GRANTED HEREIN. SENSATA DATA SHEETS ARE PROVIDED "AS IS". SENSATA MAKES NO WARRANTIES OR REPRESENTATIONS WITH REGARD TO THE DATA SHEETS OR USE OF THE DATA SHEETS, EXPRESS, IMPLIED OR STATUTORY, INCLUDING ACCURACY OR COMPLETENESS. SENSATA DISCLAIMS ANY WARRANTY OF TITLE AND ANY IMPLIED WARRANTIES OF MERCHANTABILITY, FITNESS FOR A PARTICULAR PURPOSE, QUIET ENJOYMENT, QUIET POSSESSION, AND NON-INFRINGEMENT OF ANY THIRD PARTY INTELLECTUAL PROPERTY RIGHTS WITH REGARD TO SENSATA DATA SHEETS OR USE THEREOF.

All products are sold subject to Sensata's terms and conditions of sale supplied at www.sensata.com SENSATA ASSUMES NO LIABILITY FOR APPLICATIONS ASSISTANCE OR THE DESIGN OF BUYERS' PRODUCTS. BUYER ACKNOWLEDGES AND AGREES THAT IT IS SOLELY RESPONSIBLE FOR COMPLIANCE WITH ALL LEGAL, REGULATORY AND SAFETY-RELATED REQUIREMENTS CONCERNING ITS PRODUCTS, AND ANY USE OF SENSATA COMPONENTS IN ITS APPLICATIONS, NOTWITHSTANDING ANY APPLICATIONS-RELATED INFORMATION OR SUPPORT THAT MAY BE PROVIDED BY SENSATA.

Mailing Address: Sensata Technologies, Inc., 529 Pleasant Street, Attleboro, MA 02703, USA.

CONTACT US

Americas

+1 (800) 350 2727 – Option 1
sales.beisensors@sensata.com
Europe, Middle East & Africa
+33 (3) 88 20 8080
position-info.eu@sensata.com

Asia Pacific

sales.isasia@list.sensata.com
China +86 (21) 2306 1500
Japan +81 (45) 277 7117
Korea +82 (31) 601 2004
India +91 (80) 67920890
Rest of Asia +886 (2) 27602006
ext 2808