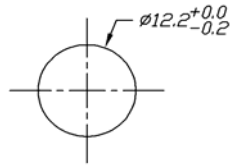
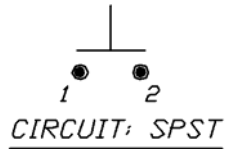


## PS1040 PANEL MOUNT PUSH BUTTON SWITCHES



RECOMMEND PANEL LAYOUT



### MECHANICAL SPECIFICATIONS

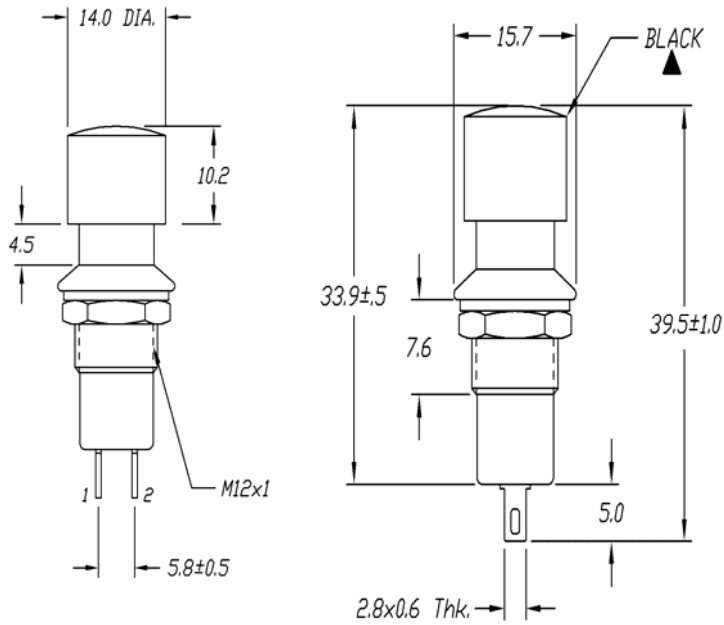
Mechanical Life: 6,000 Cycles  
Electrical Life: 6,000 cycles

### ELECTRICAL SPECIFICATIONS

Contact Rating: 3A@125VAC  
1.5A@250VAC  
Contact Resistance (Initial Max): 50m Ohms  
Insulation Resistance: 500VDC 100M Ohms Min.  
Dielectric Strength: 1000VAC 1 minute

### ENVIRONMENTAL SPECIFICATIONS

Operating/Storage Temp: -20°C to 65°C



### How To Order

**SERIES**

PS1040

**CIRCUIT**

A=OFF-(ON)  
B=OFF-ON

(-)=Momentary

**CAP COLOR**

BLK=BLACK  
RED=RED