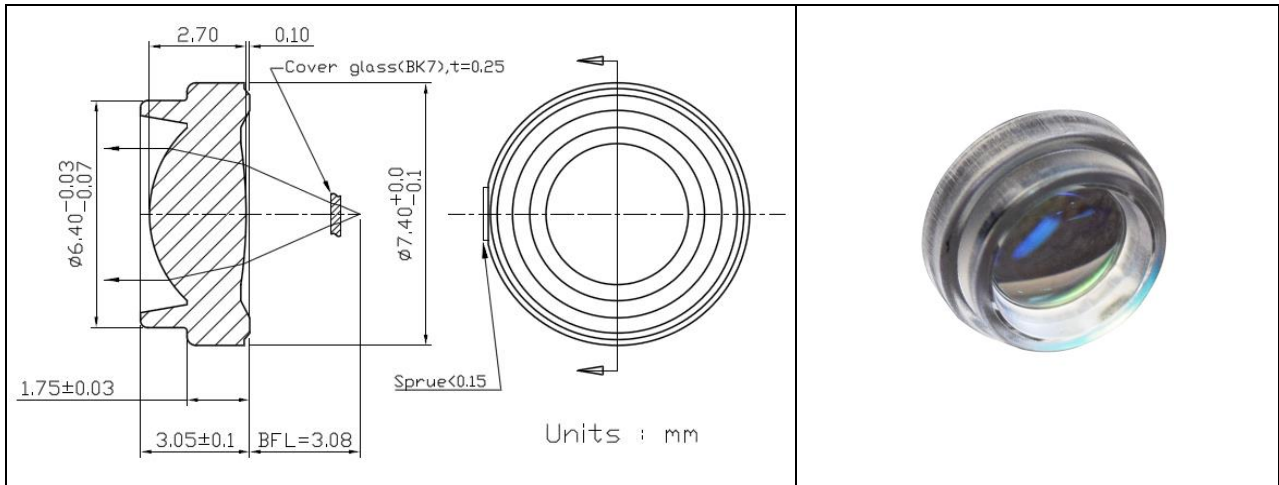


## Collimator Lens - CAY046



- **CAY046 is the most popular bi-aspheric plastic laser collimating lens which is nearly the diffraction limited.**
- **CAY046 is specified for use as a collimator in combination with a diode laser.**

### ***Parameters***

Lens Material : Acrylic

Lens Diameter :  $\phi 7.4$  mm

Edge Thickness : 3.05 mm

Design Wavelength : 670nm

Clear Aperture (CA) :  $\phi 3.7$  mm

Numerical Aperture (NA) : 0.40

Effective Focal Length (EFL) : 4.60 mm (with BK7  $t=0.25$ mm cover glass)

Back Focal Length (BFL) : 3.08 mm

Axis Wave Front Error (RMS) :  $0.040 \lambda$

Field Radius : 0.1 mm

Transmission(%) : 90%

Storage Temperature : -25 to 70 °C

Operating Temperature : 5 to 65 °C

Item Model Number	Part Name	Quantity	Description
191-66010G	Collimator Lens-CAY046,1PCS	1	Plastic Bi-aspheric Lens, $\phi 7.4$ mm, EFL=4.60 mm, NA = 0.40
191-66026G	Collimator Lens-CAY046,10PCS	10	
191-66035G	Collimator Lens-CAY046,130PCS	130	