

MATERIAL:

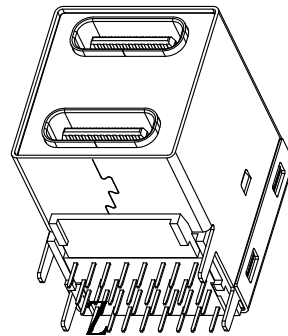
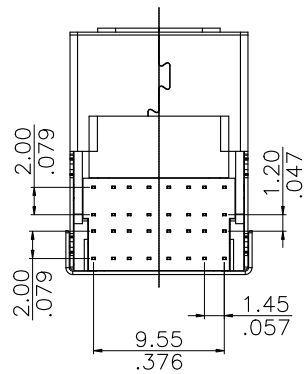
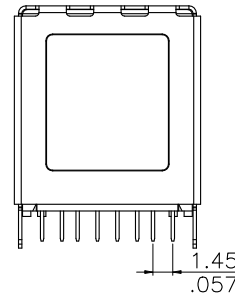
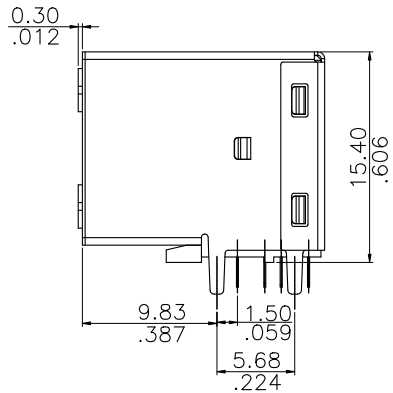
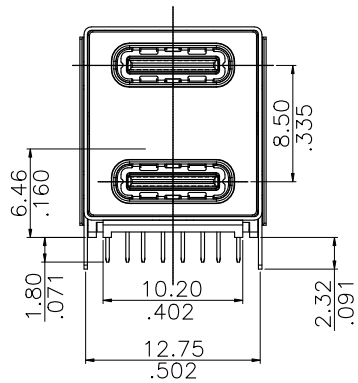
- 1.HOUSING: HIGH TEMPERATURE PLASTIC , BK
- 2.BOTTOM COVER: HIGH TEMPERATURE PLASTIC , BK
- 3.CONTACT: COPPER ALLOY
- 4.SOCKET SHELL: STAINLESS STEEL
- 5.FRONT MIDDLE SHELL: STAINLESS STEEL
- 6.REAR SHELL: STAINLESS STEEL
- 7.MID PLATE: STAINLESS STEEL

FINISH:

- CONTACT: SEE ORDER INFORMATION
SHELL: NICKEL PLATING

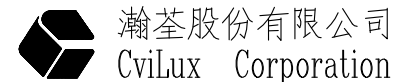
Ordering Code:

CU36 16 S * S C L A 004 -LF
 ① ② ③ ④ ⑤ ⑥ ⑦ ⑧ ⑨



- ① Series No:CU36
- ② No. of Circuits: 16Pin
- ③ Contact Type: S= Socket
- ④ Plating Option:
A= Gold Flash plated on Contact area,
Matte Tin plated on Solderails,
Nickel underplating over all
- ⑤ Shell Material & Plating:
S= Cold Rolled Steel Ni Plated
- ⑥ Contact Material: C= Copper Alloy
- ⑦ Insulator Material & Color Option:
L= High Temperature Plastic
- ⑧ Packing: A= Tray
- ⑨ -LF= For Lead Free IR Reflow Process

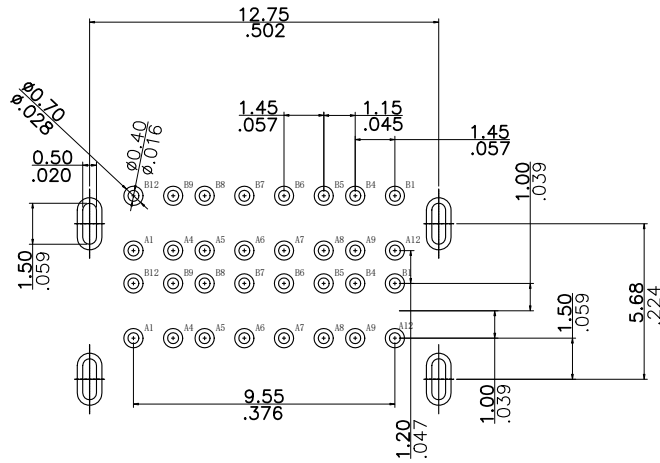
Lead Free Process **RoHS Compliant**



4					DATE	UNIT: mm / inch	TITLE: CU36 Double Deck Type C/F 16pin L=17.70 H=15.40 CH=4.07 DIP TYPE					
3					DRAWN BY: Ash	04/28-23'	TOLERANCE UNLESS OTHERWISE SPECIFIED					
2					ENGINEER: Ash	04/28-23'	.X ± 0.35/.014 X' ± 2'					
1	Ash	2023.3.31	ECRD123017	REVISIONS	CHECKED BY: Keny	04/28-23'	.XX ± 0.25/.010 X' ± '					
SYM	NAME	DATE	REVISIONS		APPROVED BY: Keny	04/28-23'	.XXX ± 0.15/.006 XX' ± '	MATERIAL:	DRAWING NO.	CU36S04S1	PART NO.	CU3616S*SCLA004-LF
								FINISH:	SCALE	1 / 1	SHEET	1 OF 3

USB TYPE-C FULL-FEATURED RECEPTACLE INTERFACE PIN ASSIGNMENTS

PIN	Signal Name	Description	PIN	Signal Name	Description
A1	GND	Ground return	B12	GND	Ground return
A2	X		B11	X	
A3			B10		
A4	Vbus	Bus Power	B9	VBUS	Bus Power
A5	CC1	Configuration Channel	B8	SBU2	Sideband Use (SBU)
A6	Dp1	Positive half of the USB 2.0 differential pair—Position 1	B7	Dn2	Negative half of the USB 2.0 differential pair—Position 2
A7	Dn1	Negative half of the USB 2.0 differential pair—Position 1	B6	Dp2	Positive half of the USB 2.0 differential pair—Position 2
A8	SBU1	Sideband Use(SBU)	B5	CC2	Configuration Channel
A9	VBUS	Bus Power	B4	VBUS	Bus Power
A10	X		B3	X	
A11			B2		
A12	GND	Ground return	B1	GND	Ground return



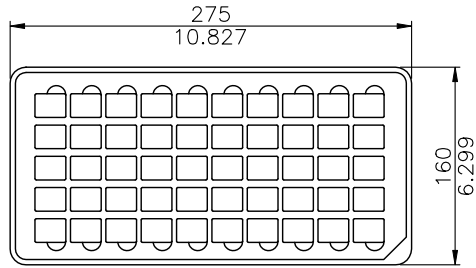
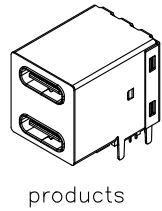
RECOMMENDED PCB LAYOUT(TOP VIEW)
(DEFAULT TOLERANCE:±0.05)

Lead Free Process **RoHS Compliant**

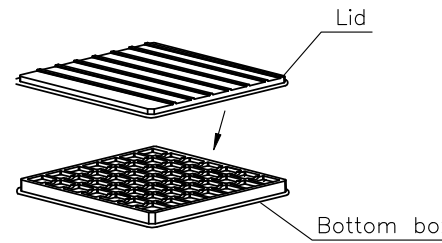


瀚荃股份有限公司
CviLux Corporation

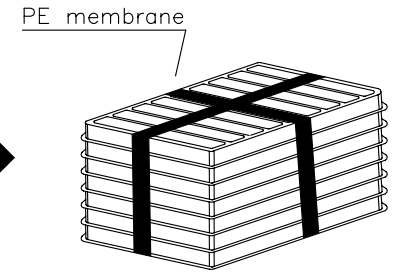
4					DATE	UNIT: mm / inch	TITLE: CU36 Double Deck Type C/F 16pin L=17.70 H=15.40 CH=4.07 DIP TYPE	DRAWING NO. CU36S04S1 PART NO. CU3616S*SCLA004-LF SCALE 2 / 1 SHEET 2 OF 3
3				DRAWN BY: Ash	04/28-23'	TOLERANCE UNLESS OTHERWISE SPECIFIED	MATERIAL:	
2				ENGINEER: Ash	04/28-23'	.X ± 0.35/.014 X* ± 2'	FINISH:	
1	Ash	2023.3.31	ECRD123017 REVISIONS	CHECKED BY: Keny	04/28-23'	.XX ± 0.25/.010 X* ± '		
SYM	NAME	DATE	REVISIONS	APPROVED BY: Keny	04/28-23'	.XXX ± 0.15/.006 XX* ± '		



1. Put the product neatly in a crisp plate, a total of 50PCS.



2. After filling a plate of products, close the lid.



3. Stack the crisp tray filled with products in 14 layers; IT IS THEN BUNDLED WITH BALING FILM (TOTAL 700 PCS).

Procedure :

1. Put the product neatly into the crisp plate for a total of 50PCS, and then cover with the lid.

2. Stack 14 crisp plates filled with 50PCS products and bundle them with packing film.

3. Put the bundled product into a waterproof bag, and then put 1 bag of desiccant and tape sealing (a total of 700PCS).

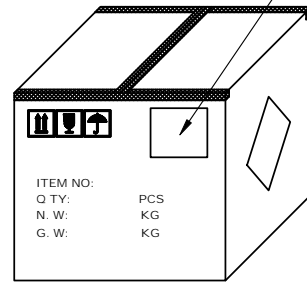
4. Put a cardboard at the bottom of the carton, and then put the bundled products side by side into the carton, and then put a cardboard on the top layer.

5. After closing the carton, seal the carton with an I-shaped tape to make a total of 1400PCS products.

6. Attach the shipping label, if there are zero boxes need to be marked.

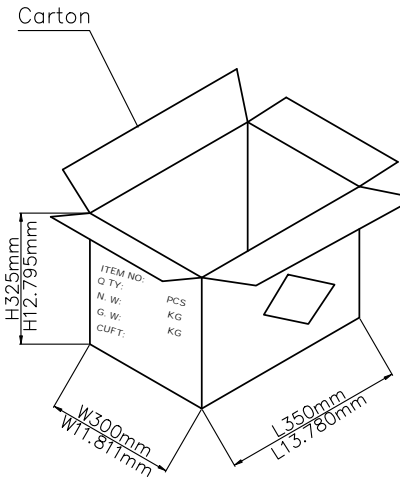
7. Carton material size: K=K 350*300*325mm (inner diameter) Crisp plate material size: PS anti-static 275*160*14.5mm

Shipping label

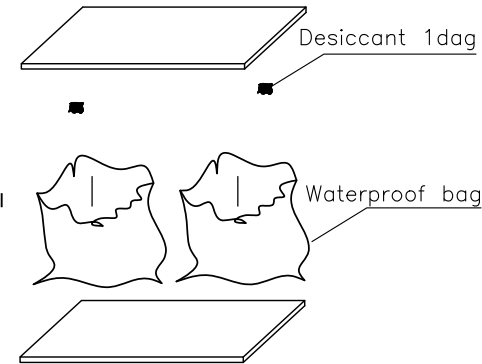


1400PCS/BOX

6. Seal the carton with adhesive paper I-shape, a total of 1400PCS products.



5. Put 2 bundles of products side by side into the carton, and put one cardboard on the top and bottom.



4. Put each 14-layer bundled product into a waterproof bag and add a bag of dried products.

Lead Free Process RoHS Compliant



4					DATE	UNIT: mm / inch	TITLE: CU36 Double Deck Type C/F 16pin L=17.70 H=15.40 CH=4.07 DIP TYPE	DRAWING NO. CU36S04S1	PART NO. CU3616S*SCLA004-LF
3				DRAWN BY: Ash	04/28-23'	TOLERANCE UNLESS OTHERWISE SPECIFIED	MATERIAL:		
2				ENGINEER: Ash	04/28-23'	.X ±	.X' ±	FINISH:	
1	Ash	2023.3.31	ECRD123017 REVISIONS	CHECKED BY: Keny	04/28-23'	.XX ±	.X' ±		
SYM	NAME	DATE	REVISIONS	APPROVED BY: Keny	04/28-23'	.XXX ±	.XX' ±		