

DUAL MOTOR H-BRIDGE DRV8424P DRIVER BREAKOUT



Weight 14 g

Description a

DESCRIPTION

The Dual Motor H-Bridge DRV8424P is a high-performance motor driver module that provides efficient and reliable control for two DC motors or a bipolar stepper motor. It is widely used in robotics, automation, and mechatronics projects where precise motor control is required.

This motor driver module is based on the DRV8424P integrated circuit, which features advanced protection and control capabilities. It supports a wide range of motor voltages, typically from 8V to 45V, and can deliver a continuous output current of up to 2.5A per motor channel. With a peak current of up to 4A, it can handle high-demand applications.

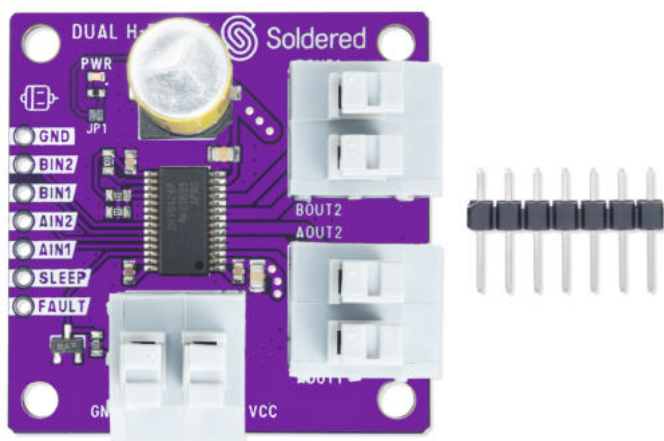
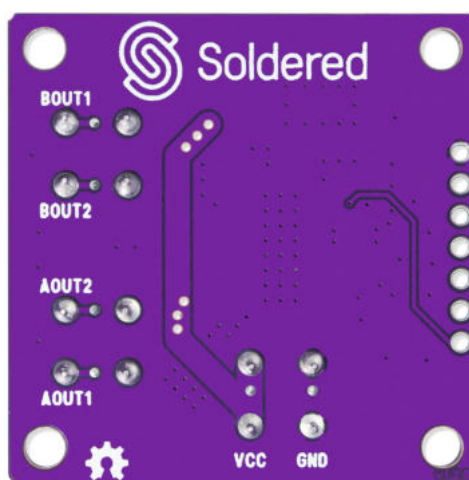
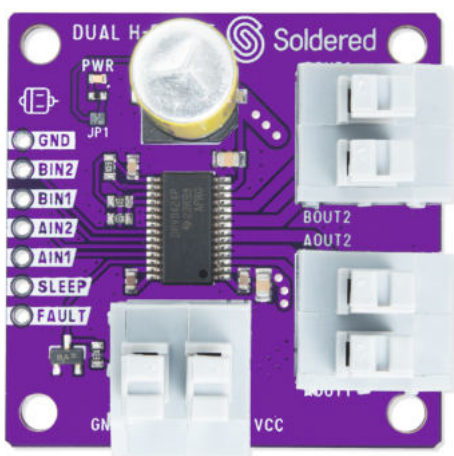
FEATURES

- IC: DRV8424P
- Operating Voltage Range: 8V to 45V
- Output Current Capability: Up to 2.5A per motor channel
- Built-in Protection Features: Thermal shutdown, overcurrent protection, undervoltage lockout
- Dimensions: 38 x 38 mm / 1.5 x 1.5 inch

USEFUL LINKS

- [Datasheet](#)

OTHER IMAGES



Weight

14 g

Description

a

