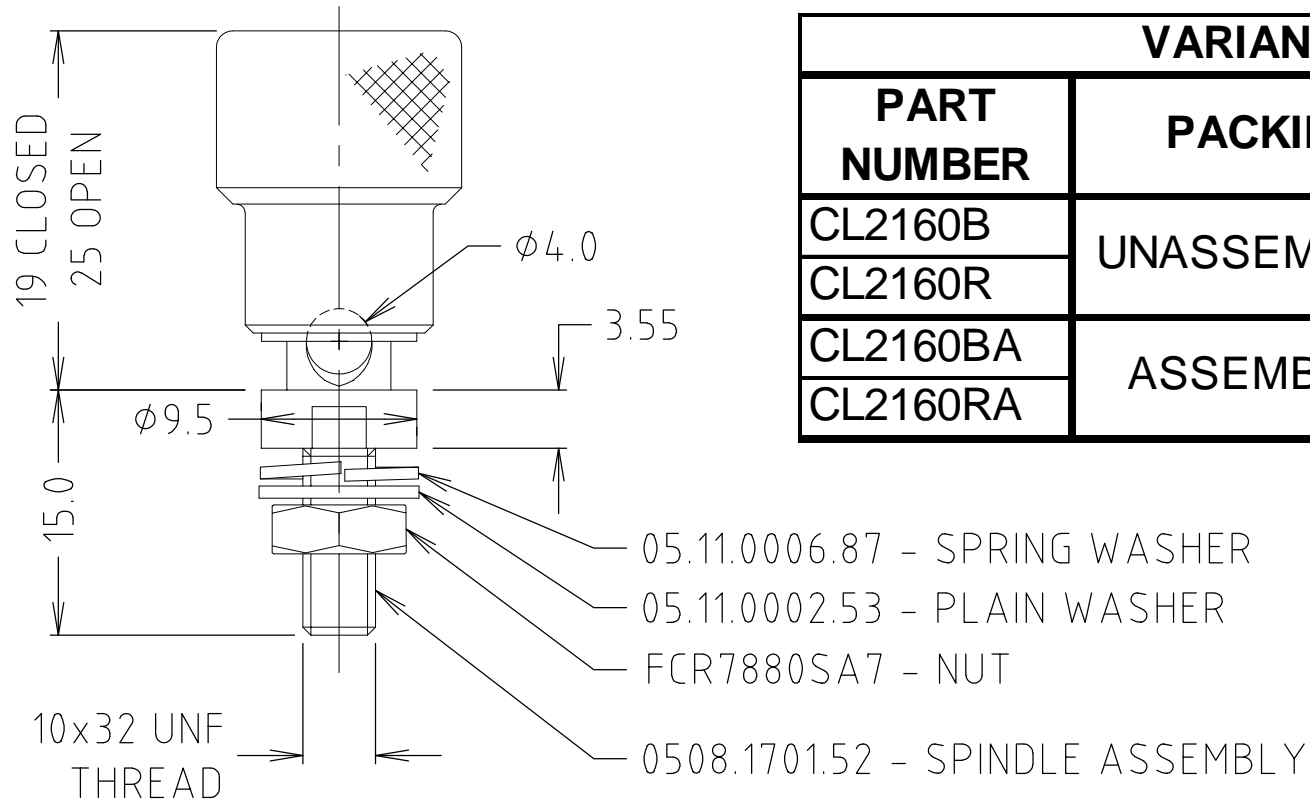
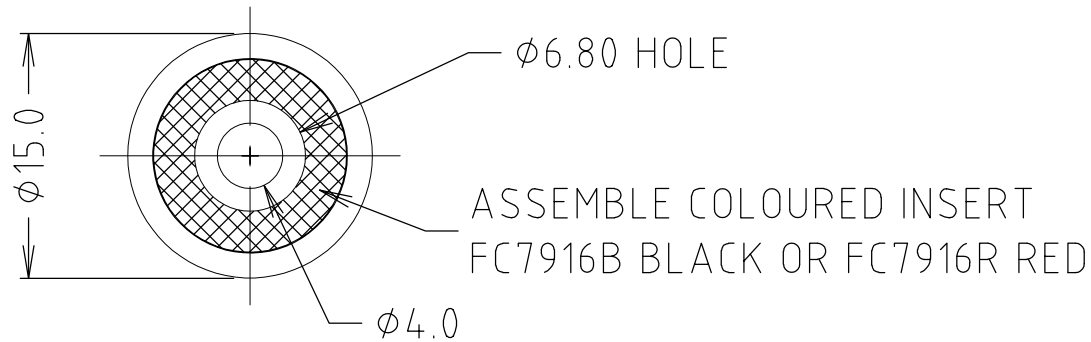


ISS.	AMEND	DATE
1	ISSUED	15/03/99
2	WAS CL2160B	18/02/05
3	UPDATED	16/11/12
4	RATING ADDED	02/10/15
5	ADD ASSEMBLED	16/06/23



VARIANTS		
PART NUMBER	PACKING	INSERT COLOUR
CL2160B	UNASSEMBLED	BLACK
CL2160R		RED
CL2160BA	ASSEMBLED	BLACK
CL2160RA		RED

CURRENT RATING: 30A
 UNASSEMBLED - PACK IN KIT 100x PER.
 ASSEMBLED - ASSEMBLE 1x SPRING WASHER 1x PLAIN WASHER 1x NUT 1x SPINDLE ASSEMBLY

RoHS COMPLIANT
TOLERANCE
NO DEC. PLACE ± 0.50
1 DEC. PLACE ± 0.20
2 DEC. PLACE ± 0.10
HOLE $\phi \pm 0.10$
ANGLES $\pm 1/2^\circ$
UNLESS OTHERWISE STATED
DO NOT SCALE

Cliff Electronic Components Ltd.
 76 Holmethorpe Avenue, Holmethorpe Industrial Estate,
 Redhill, Surrey, RH1 2PF, England, UK
 Tel: 01737-771375 Fax: 01737-766012 Website: www.cliffuk.co.uk
 THE CONTENTS OF THIS DOCUMENT MUST NOT BE COPIED OR DISCLOSED
 TO A 3rd PARTY WITHOUT WRITTEN PERMISSION OF CLIFF UK © 1999

DIMENSIONS IN MILLIMETERS UNLESS OTHERWISE STATED. WORK TO DIMENSIONS. REMOVE ALL BURRS. IF IN DOUBT ASK.
 MATERIAL: BRASS / NYLON 6
 FINISH: GOLD FLASH / SPARKED TO 32 VDI
 DRAWN: C.A.M.J. APPROVED: R.W.T.

1ST DRAWN : 4/2/99
 3rd ANGLE PROJECTION:

 TITLE: HI FI TERMINAL TP/6CS
 DRWG. No. **CL2160**

FORM: A4DRWGH