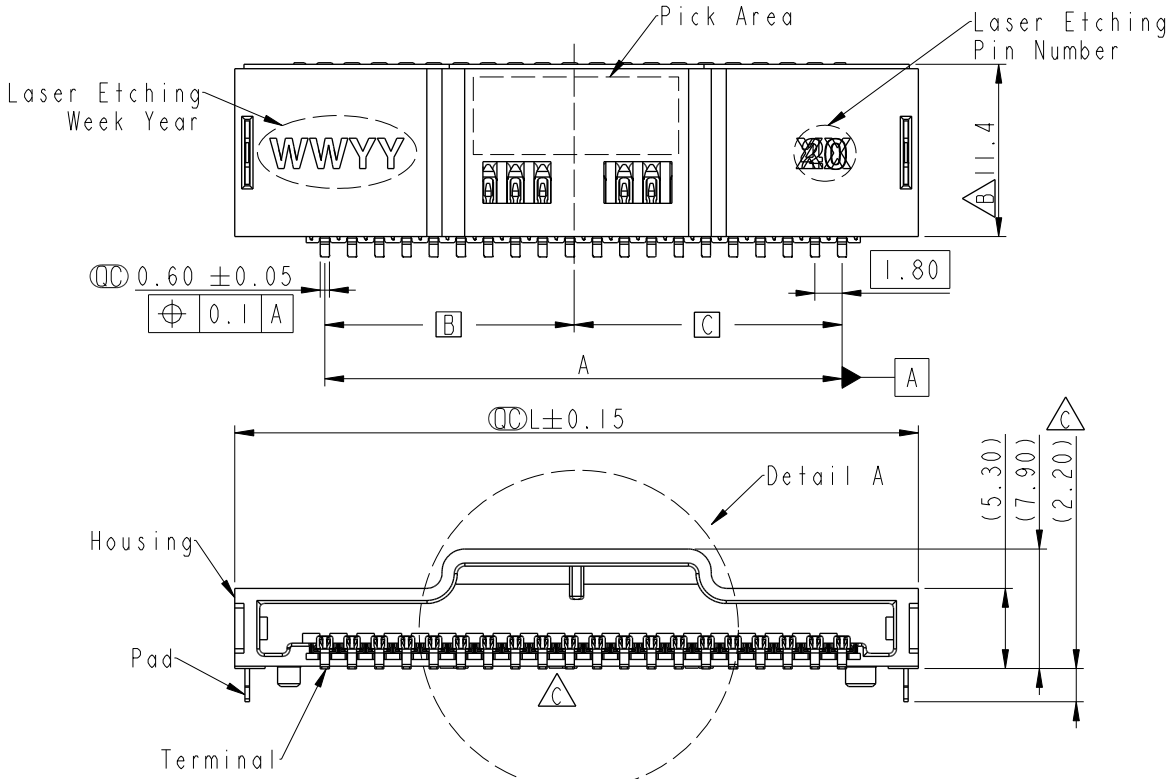


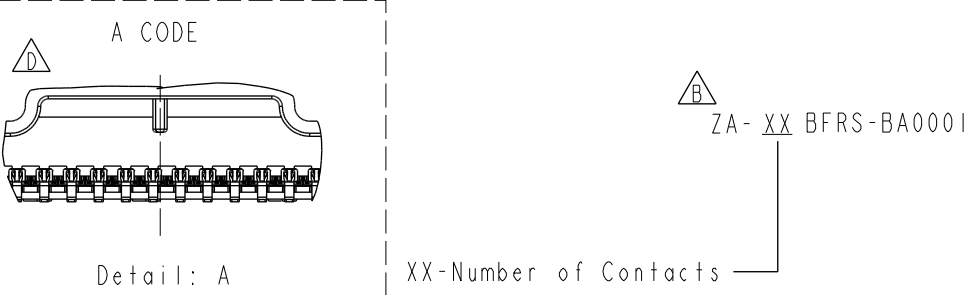
THIS DOCUMENT IS SUBJECT TO CHANGE WITHOUT NOTICE. IT IS CONFIDENTIAL AND A PROPERTY OF Amphenol LTW. DISCLOSURE TO THIRD PARTY HAS TO BE AUTHORIZED BY Amphenol LTW.

REV.	ECN NO.	DATE	SIGN	DESCRIPTION
C	C211091	2021/07/17	Xiaofeng	$\triangle C$ X2
D	C220320	2022/03/02	Xiaofeng	$\triangle D$ X1
E	C221934	2022/12/08	Ruru	$\triangle E$ X1



ZCONNECT SIZE

PIN	L(mm)	A(mm)	B(mm)	C(mm)
11	29.0	18.0	9.45	8.55
12	30.8	19.8	9.45	10.35
13	32.6	21.6	11.25	10.35
14	34.4	23.4	11.25	12.15
15	36.2	25.2	13.05	12.15
16	38.0	27.0	13.05	13.95
17	39.8	28.8	14.85	13.95
18	41.6	30.6	14.85	15.75
19	43.4	32.4	16.65	15.75
20	45.2	34.2	16.65	17.55

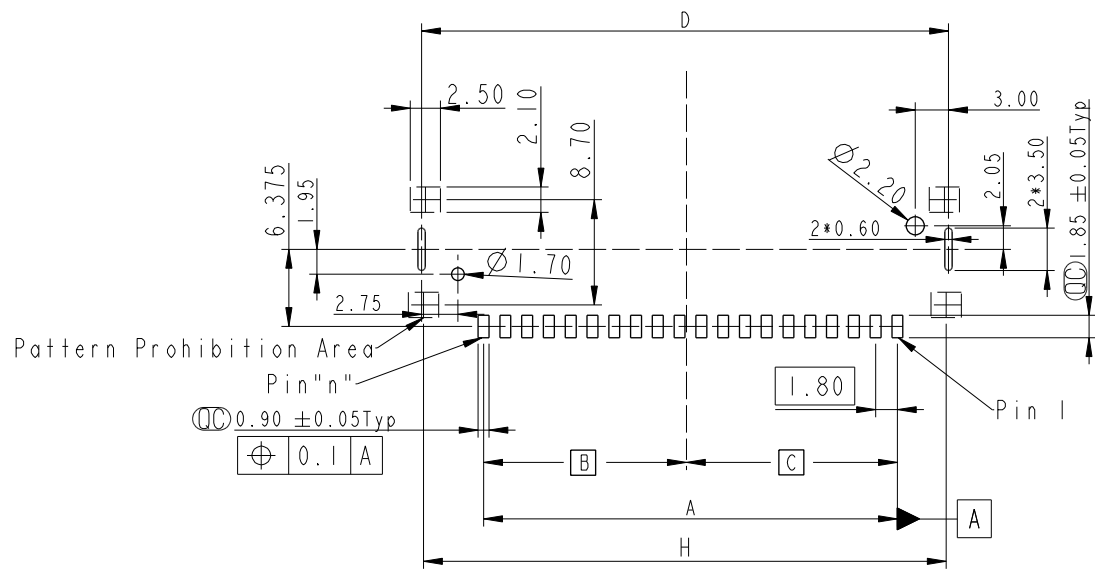


Note:

- * \odot Important Dimensions To Check.
- * Housing: Thermoplastic·Black.
- * Terminal: Copper Alloy·Gold Plated.
- * Pad: Metal.
- $\triangle E$ * Hot plugging is not applicable for this part, please consult with manufacturer if special requirement is needed.

UNIT:mm TOLERANCE .X ±0.25 .XX ±0.1 .XXX ±0.05 ANGLES ±1°		TITLE Z CONN., N SHLD, P 1.8, F SMD		Amphenol LTW 安費諾亮泰企業股份有限公司		ITEM NO	DRAWN BY Xiaofeng	DATE 2021/01/07
		SCALE 1:1	SIZE A4			SHEET 1 OF 4	DWG NO ZA-XXBFRS-BA0001	CHECKED BY Feng-Li
		REV. E	WC-REV. .0	\odot : Inspection item	CUSTOMER ALTW	APPROVED BY Jerry	DATE 2021/01/07	8 W10814-03-001A2

THIS DOCUMENT IS SUBJECT TO CHANGE WITHOUT NOTICE. IT IS CONFIDENTIAL AND A PROPERTY OF AMPHENOL LTW. DISCLOSURE TO THIRD PARTY HAS TO BE AUTHORIZED BY AMPHENOL LTW.



RECOMMENDED PCB LAYOUT

PCB LAYOUT SIZE					
PIN	A(mm)	B(mm)	C(mm)	D(mm)	H(mm)
11	18.0	9.45	8.55	27.35	27.0
12	19.8	9.45	10.35	29.15	28.8
13	21.6	11.25	10.35	30.95	30.6
14	23.4	11.25	12.15	32.75	32.4
15	25.2	13.05	12.15	34.55	34.2
16	27.0	13.05	13.95	36.35	36.0
17	28.8	14.85	13.95	38.15	37.8
18	30.6	14.85	15.75	39.95	39.6
19	32.4	16.65	15.75	41.75	41.4
20	34.2	16.65	17.55	43.55	43.2

UNIT: mm

TOLERANCE
 .X ±0.25
 .XX ±0.1
 .XXX ±0.05
 ANGLES ±1°

TITLE Z CONN., N SHLD, P 1.8, F SMD			
SCALE 1:1	SIZE A4	SHEET 2 OF 4	
REV. E	WC-REV. .0	Ⓞ: Inspection item	

Amphenol LTW
 安費諾亮泰企業股份有限公司

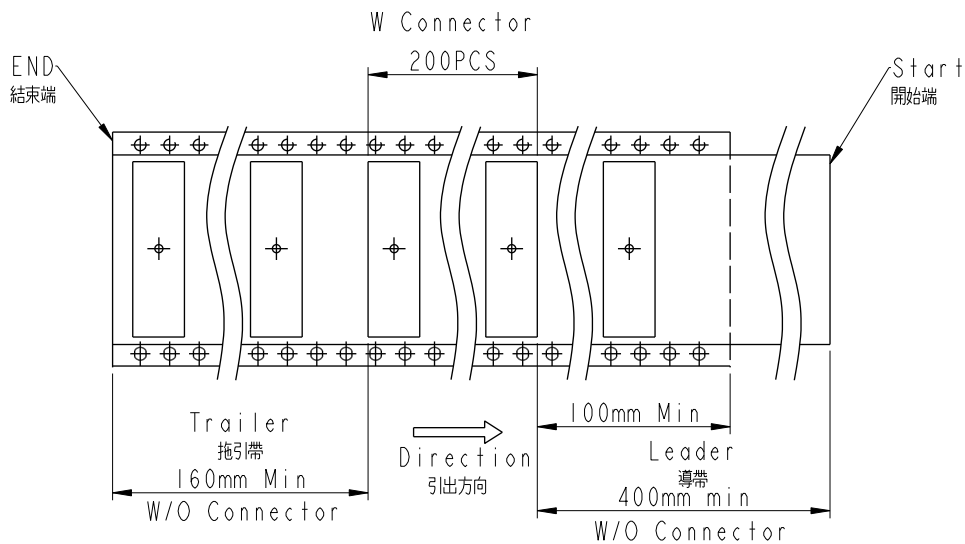
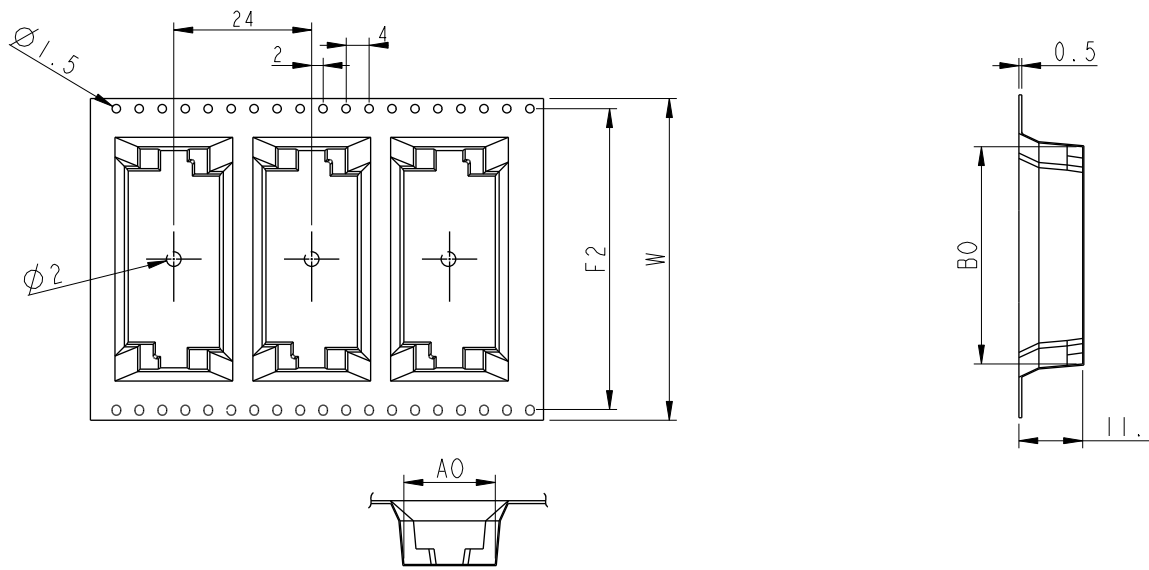
ITEM NO	DWG NO ZA-XXBFRS-BA0001
CUSTOMER ALTW	

DRAWN BY Xiaofeng	CHECKED BY Feng-Li
APPROVED BY Jerry	

DATE 2021/01/07	DATE 2021/01/07
DATE 2021/01/07	DATE 2021/01/07

THIS DOCUMENT IS SUBJECT TO CHANGE WITHOUT NOTICE. IT IS CONFIDENTIAL AND A PROPERTY OF Amphenol LTW. DISCLOSURE TO THIRD PARTY HAS TO BE AUTHORIZED BY Amphenol LTW.

△ Packing:



PIN	B0(mm)	W(mm)	F2(mm)	A0(mm)
11	29.3	44	40.4	15.9
12	31.1	56	52.4	
13	32.9			
14	34.7			
15	36.5			
16	38.3			
17	40.1			72
18	41.9			
19	43.7			
20	45.5			

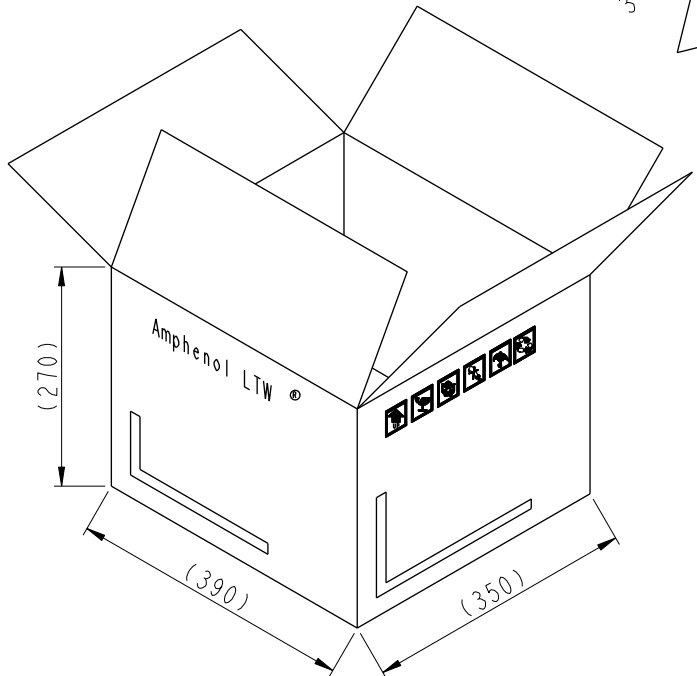
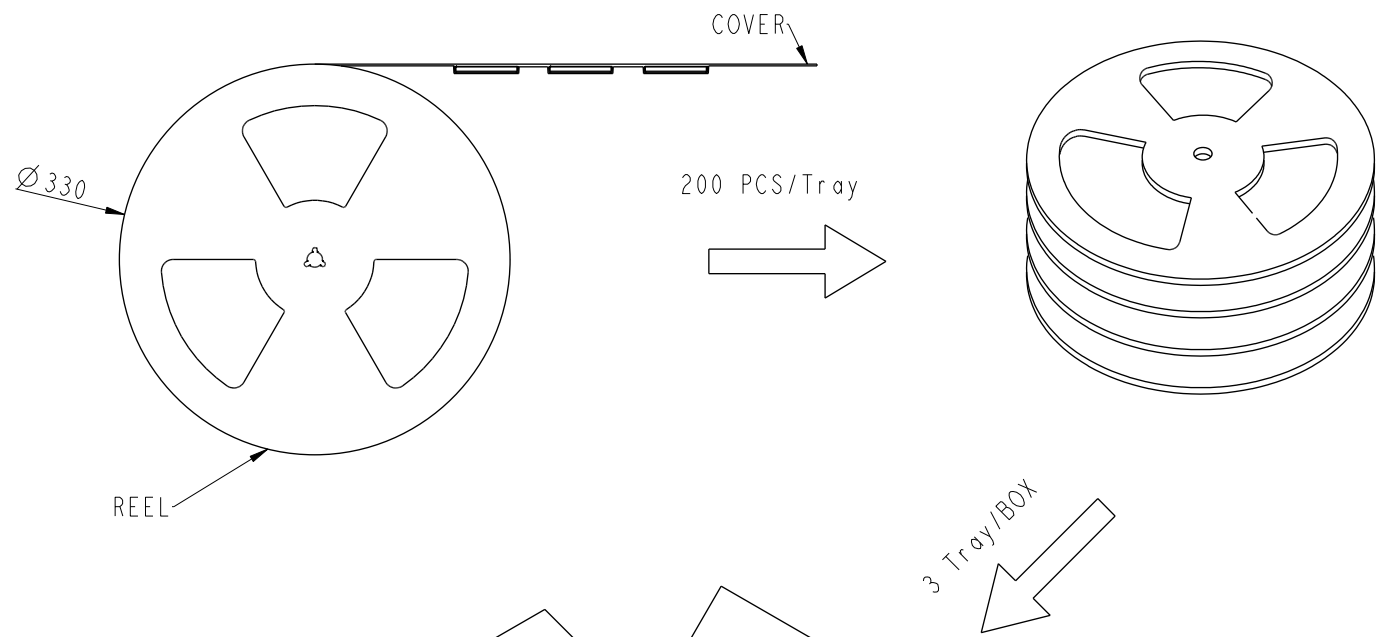
UNIT: mm		
TOLERANCE	.X ±0.25	
.XX ±0.1		
.XXX ±0.05		
ANGLES	±1°	

TITLE Z CONN., N SHLD, P 1.8, F SMD			
SCALE 1:1	SIZE A4	SHEET 3 OF 4	
REV. E	WC-REV. .0	QC: Inspection item	

Amphenol LTW
安費諾亮泰企業股份有限公司

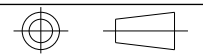
ITEM NO	DRAWN BY Xiaofeng	DATE 2021/01/07
DWG NO ZA-XXBFRS-BA0001	CHECKED BY Feng-Li	DATE 2021/01/07
CUSTOMER ALTW	APPROVED BY Jerry	DATE 2021/01/07

THIS DOCUMENT IS SUBJECT TO CHANGE WITHOUT NOTICE. IT IS CONFIDENTIAL AND A PROPERTY OF Amphenol LTW. DISCLOSURE TO THIRD PARTY HAS TO BE AUTHORIZED BY Amphenol LTW.



Note:
 * \varnothing Important Dimensions To Check.
 * MATERIAL: BLACK CONDUCTIVE POLYSTYRENE ALLOY(UP-6100).

UNIT:mm



TITLE Z CONN., N SHLD, P 1.8, F SMD

Amphenol LTW

ITEM NO

DRAWN BY

DATE

DWG NO
ZA-XXBFRS-BA0001

CHECKED BY
Feng-Li

DATE
2021/01/07

CUSTOMER
ALTW

APPROVED BY
Jerry

DATE
2021/01/07

安費諾亮泰企業股份有限公司

SCALE 1:1	SIZE A4	SHEET 4	OF 4
REV. E	WC-REV. .0	Inspection item	