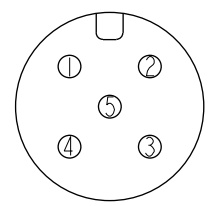
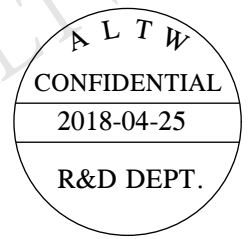
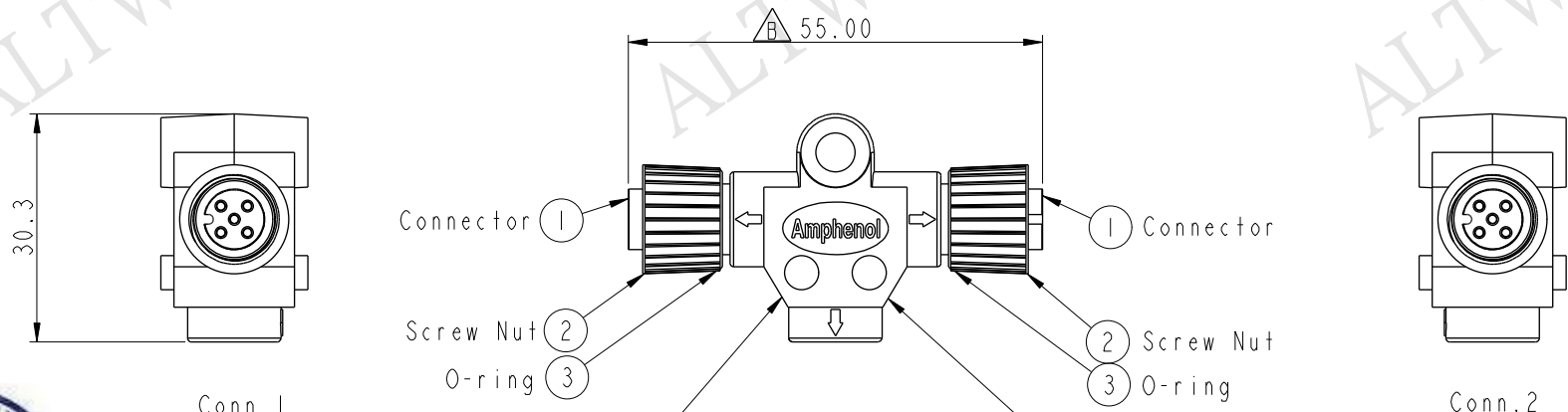
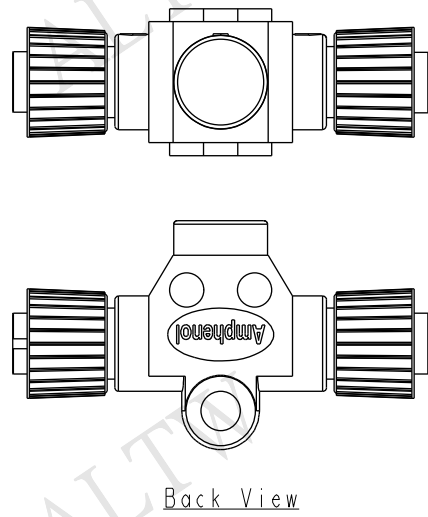


REV.	ECN NO.	DATE	SIGN	DESCRIPTION
A		2018/02/28	Chingmei	New Release.
B	LEN1860004	2018/04/25	Neo	Corrector The Dimension



Wire Color	Conn.1	Conn.2
Red /紅	5	5
Green /綠	4	4
Blue /藍	3	3
White /白	2	2
Black /黑	1	1

Note:
 * (M) Important Dimension
 * Waterproof Rate: IP67
 * Connector: PU, Black
 * Screw Nut: Zinc Alloy, Nickel Plated
 * Female Pin: Copper Alloy, Gold Plated
 * O-Ring: Green, Viton
 * Wire Harness: UL1061 24AWG 5Pcs



UNIT:mm TOLERANCE ±0.5	TITLE M12 Conn 1 Adapt Screw FF Conn FF Pin		Amphenol LTW 安費諾亮泰企業股份有限公司	ITEM NO SS-000505-0FF-IS001	DRAWN BY Neo	DATE 2018/04/25		
	SCALE 1:1	SIZE A4		SHEET 1	OF 1	DWG NO SS-000505-0FF-IS001	CHECKED BY Kelly	DATE 2018/04/25
	REV. B	WC-REV. A.3		QC: Inspection item		CUSTOMER ALTW	APPROVED BY Max	DATE 2018/04/25

THIS DOCUMENT IS SUBJECT TO CHANGE WITHOUT NOTICE. IT IS CONFIDENTIAL AND A PROPERTY OF Amphenol LTW. DISCLOSURE TO THIRD PARTY HAS TO BE AUTHORIZED BY Amphenol LTW.