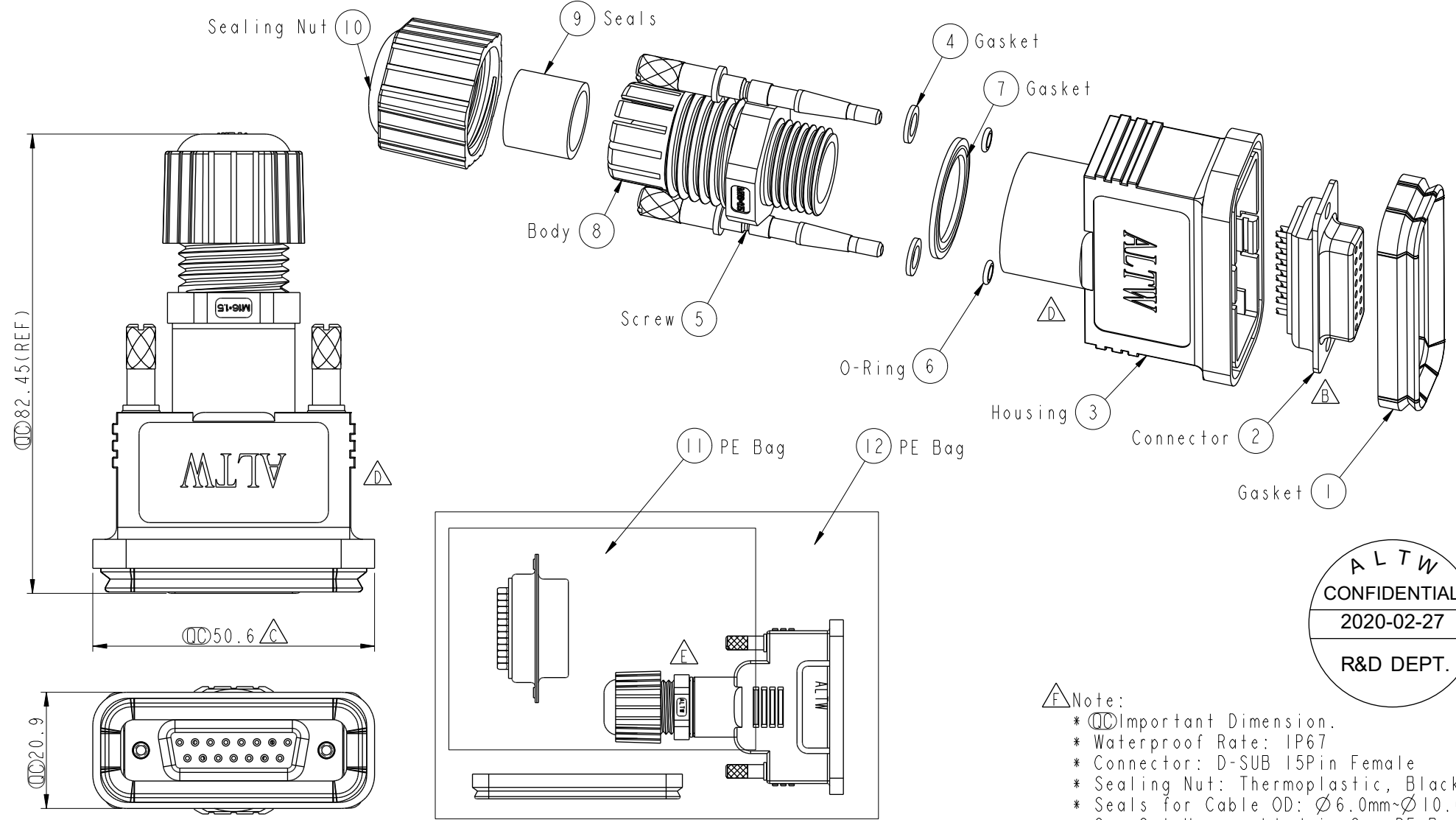


THIS DOCUMENT IS SUBJECT TO CHANGE WITHOUT NOTICE. IT IS CONFIDENTIAL AND A PROPERTY OF AMPHENOL LTW. DISCLOSURE TO THIRD PARTY HAS TO BE AUTHORIZED BY AMPHENOL LTW.

REV.	ECN NO.	DATE	SIGN	DESCRIPTION
D	LEN1520155	2015/01/27	Ruru	Change Logo
E	LEN1560198	2015/04/08	Ruru	Change Logo
F	C200209	2020/02/27	Ruru	△FX2



- △ Note:
- * ∅ Important Dimension.
 - * Waterproof Rate: IP67
 - * Connector: D-SUB 15Pin Female
 - * Sealing Nut: Thermoplastic, Black
 - * Seals for Cable OD: $\varnothing 6.0\text{mm} \sim \varnothing 10.0\text{mm}$
 - * One Set Unassembled in One PE Bag

UNIT:mm		
TOLERANCE	$\pm 0.5 \text{ mm}$	

TITLE D-SUB, DB SHLD, 15P, CABLE W/O SR F, F, FI SOLDER, SCREW △FX2			
SCALE 1:1	SIZE A4	SHEET 1 OF 1	
REV. F	WC-REV. A.4	∅∅: Inspection item	

Amphenol LTW
安費諾亮泰企業股份有限公司

ITEM NO. SDB-15BFFA-SL7001	DRAWN BY Ruru	DATE 2015-04-08
DWG NO. SDB-15BFFA-SL7001	CHECKED BY Rita	DATE 2015-04-08
CUSTOMER ALTW	APPROVED BY Lion	DATE 2015-04-08