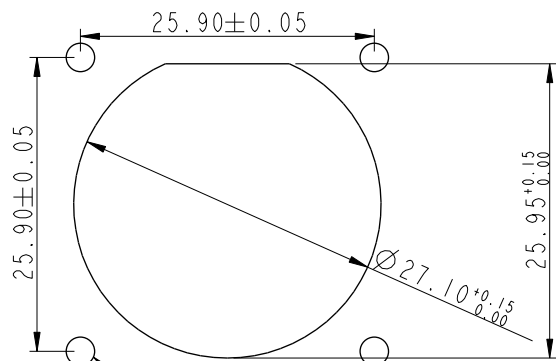
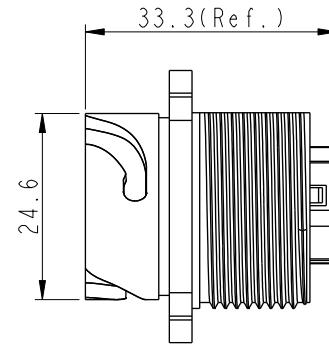
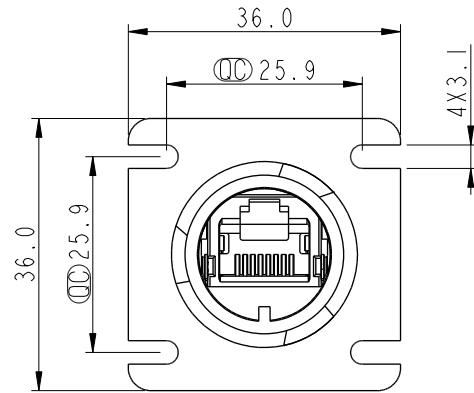
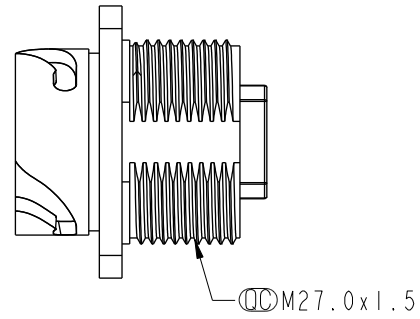
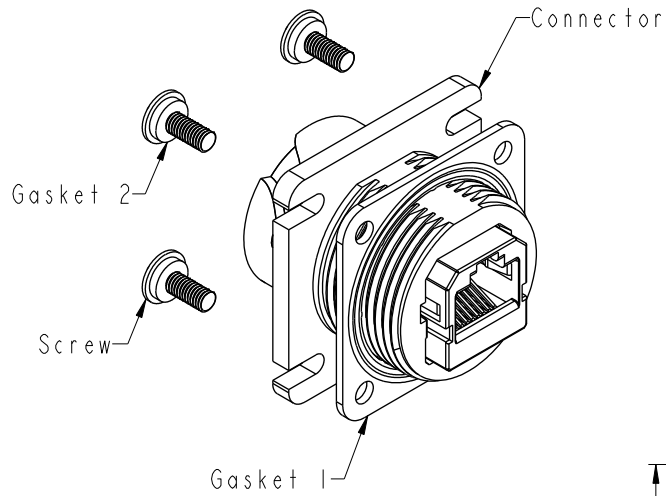
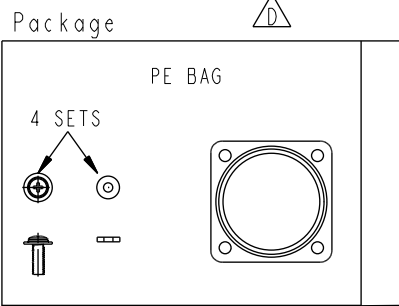


REV.	ECN NO.	DATE	SIGN	DESCRIPTION
D	LEN1670657	2016/07/23	Feng_Li	Modify Gasket Shape
E	C190405	2019/03/18	Ruru	Modify Note
F	C220801	2022/06/10	Vicky	△ F X2



4-M3*0.5, L=5 Min.
Blind-Hole, Effective Depth of Thread L*=3.5mm



- △ E △ F Note:
- * RoHS Compliant
 - * \varnothing Important dimension
 - * Waterproof rate: IPX7, mated
 - * Connector
 - Housing: Thermoplastic, Black, RJ45 jack, shielded
 - △ C * Gasket 1: Rubber, Black
 - * Gasket 2: Rubber, Black
 - * Screw: Metal
 - * Gasket and screw are packed separately in pe bag

Recommended Panel Cut-Out △ B

UNIT: mm			TITLE	△ F
TOLERANCE	.X ±0.25	.XX ±0.1	RJ, ODVA PLASTIC, C5E SHLD	
.XXX ±0.05	ANGLES ±1°	SCALE 1:1	REAR FASTENED, F, PNL JACK S, 3LOCK	
		SIZE A4	REV. F	WC-REV. B.4
		SHEET 1 OF 1	◎: Inspection item	

Amphenol LTW
安費諾亮泰企業股份有限公司

ITEM NO	ROP-5SRFFH-TSM7001	DRAWN BY	Ruru	DATE	2019-03-18
DWG NO	ROP-5SRFFH-TSM7001	CHECKED BY	Rita	DATE	2019-03-18
CUSTOMER	ALTW	APPROVED BY	Max	DATE	2019-03-18

THIS DOCUMENT IS SUBJECT TO CHANGE WITHOUT NOTICE. IT IS CONFIDENTIAL AND A PROPERTY OF Amphenol LTW. DISCLOSURE TO THIRD PARTY HAS TO BE AUTHORIZED BY Amphenol LTW.