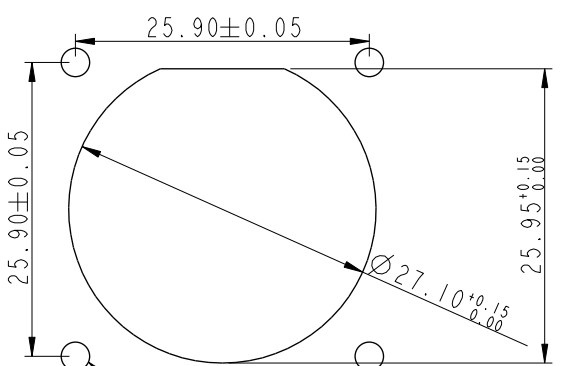
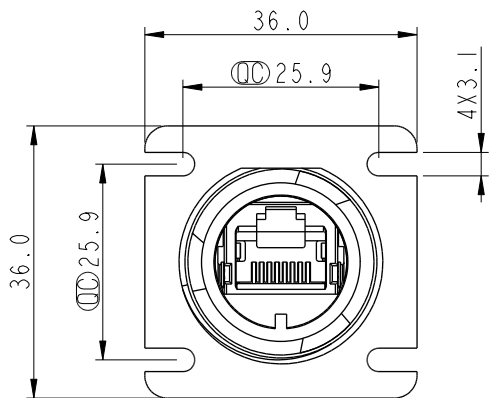
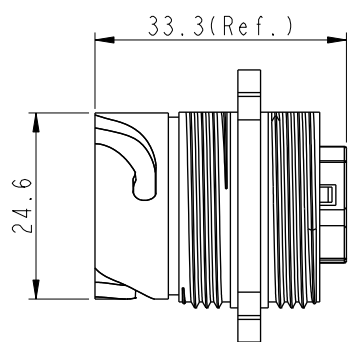
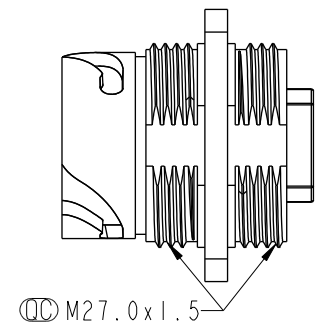
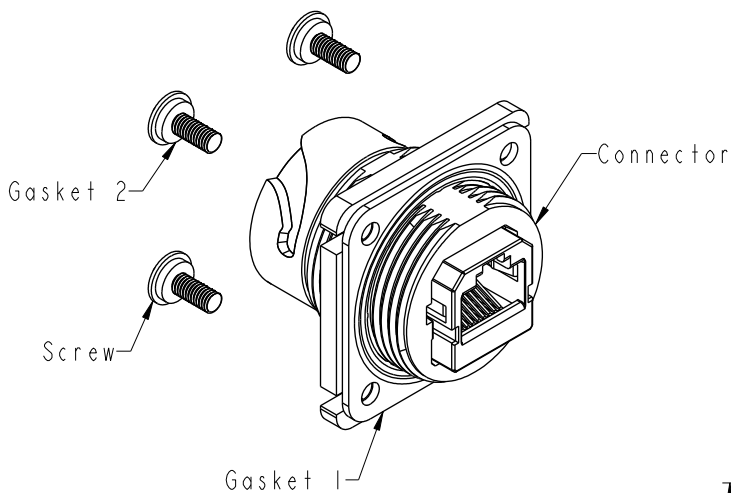
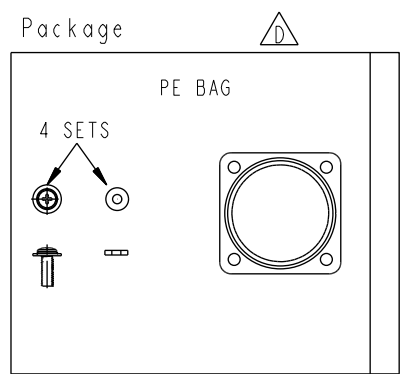


REV.	ECN NO.	DATE	SIGN	DESCRIPTION
C	LEN1610152	2016/01/08	Ruru	Change Note
D	LEN1670655	2016/07/19	Feng_Li	Modify Gasket Shape
E	C220801	2022/06/10	Vicky	△E X2



4-M3\*0.5, L=5 Min.  
Blind-Hole, Effective Depth of Thread L\*=3.5mm



- △E Note:
- \* RoHS Compliant
  - \* Ⓞ Important dimension
  - \* Waterproof rate: IPX7, mated
  - \* Connector
  - Housing: Thermoplastic, Black, RJ45 jack, shielded
  - △C \* Gasket 1: Rubber, Black
  - \* Gasket 2: Rubber, Black
  - \* Screw: Metal
  - \* Gasket and screw are packed separately in pe bag

Recommended Panel Cut-Out △B

UNIT: mm			TITLE
TOLERANCE	.X ±0.25	.XX ±0.1	RJ, ODVA PLASTIC, C5E SHLD DBL FASTENED, F, PNL JACK S, 3LOCK
.XXX ±0.05	ANGLES ±1°	SCALE 1:1	SIZE A4
		REV. E	WC-REV. B.6
			Ⓞ: Inspection item

# Amphenol LTW

安費諾亮泰企業股份有限公司

ITEM NO	ROP-5SDFFH-TSM7001	DRAWN BY	Feng_Li	DATE	2016-07-19
DWG NO	ROP-5SDFFH-TSM7001	CHECKED BY	Jinhai	DATE	2016-07-19
CUSTOMER	ALTW	APPROVED BY	Jerry	DATE	2016-07-19

THIS DOCUMENT IS SUBJECT TO CHANGE WITHOUT NOTICE. IT IS CONFIDENTIAL AND A PROPERTY OF AMPHENOL LTW. DISCLOSURE TO THIRD PARTY HAS TO BE AUTHORIZED BY AMPHENOL LTW.