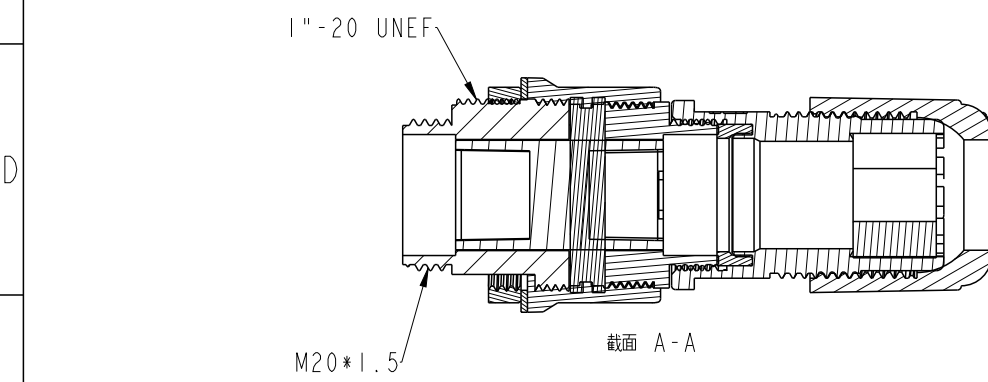
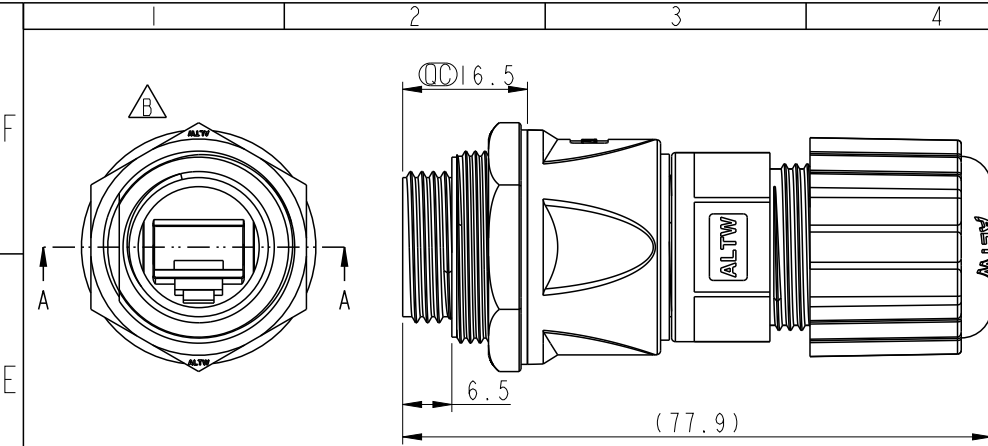


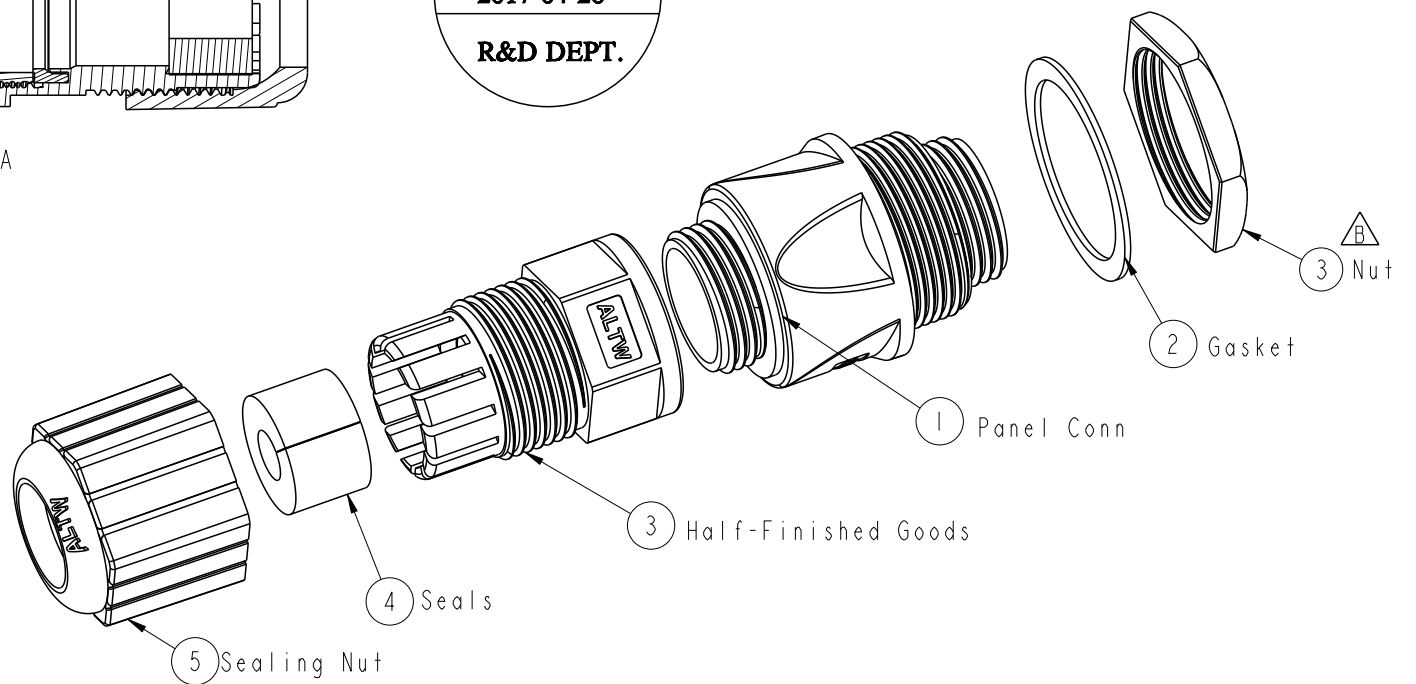
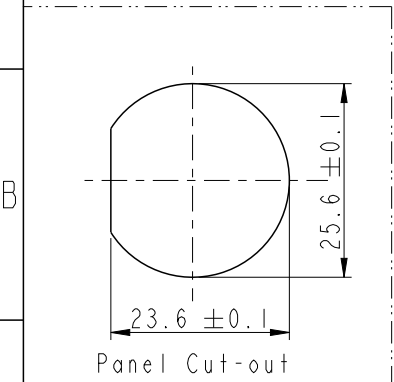
REV.	ECN NO.	DATE	SIGN	DESCRIPTION
B	LEN1741354	2017/04/26	Gaotong	Update Nut Shape

- Note:
- * \varnothing Important Dimension To Check
 - * Waterproof Rate: IP67
 - * Sealing Nut: Nylon+GF, Black
 - * Seals: Silicon, Dark Gray.
 - * Half Finished Goods: Nylon, Black& Silicon, Dark Gray
 - * Panel Conn: ABS, 94V-0, Black
 - * Maximum Panel Thickness: 3.5mm
 - * Cable OD Max: 6.5mm.
 - * One Set Unassembled In One PE Bag.



ALTW
CONFIDENTIAL
2017-04-26
R&D DEPT.

ALTW
DCC. DEPT.
CONFIDENTIAL
2017.05.03
ISSUED



UNIT: mm		TITLE		ITEM NO		DRAWN BY		DATE	
		RJ45 D SIZE DOUBLE SCREW DOUBLE SIDE ASSY F CONN F PIN		RDP-00DFFA-SLM7001		Gaotong		2017/04/26	
TOLERANCE		SCALE	SIZE	SHEET	DWG NO	CHECKED BY	DATE		
.X ±0.25		1:1	A4	1 OF 1	RDP-00DFFA-SLM7001	Kris	2017/04/26		
.XX ±0.1		REV.	WC-REV.		CUSTOMER	APPROVED BY	DATE		
.XXX ±0.05		B	A.13		ALTW	Max	2017/04/26		
ANGLES ±1°		: Inspection item		Amphenol LTW 安費諾亮泰企業股份有限公司					

THIS DOCUMENT IS SUBJECT TO CHANGE WITHOUT NOTICE. IT IS CONFIDENTIAL AND A PROPERTY OF Amphenol LTW. DISCLOSURE TO THIRD PARTY HAS TO BE AUTHORIZED BY Amphenol LTW.