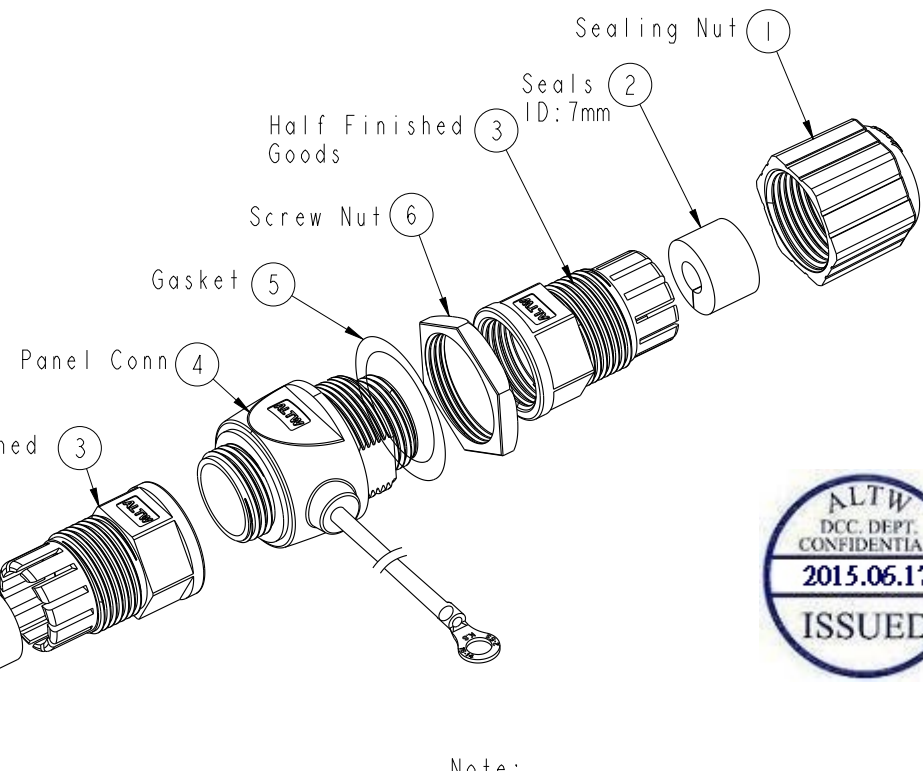
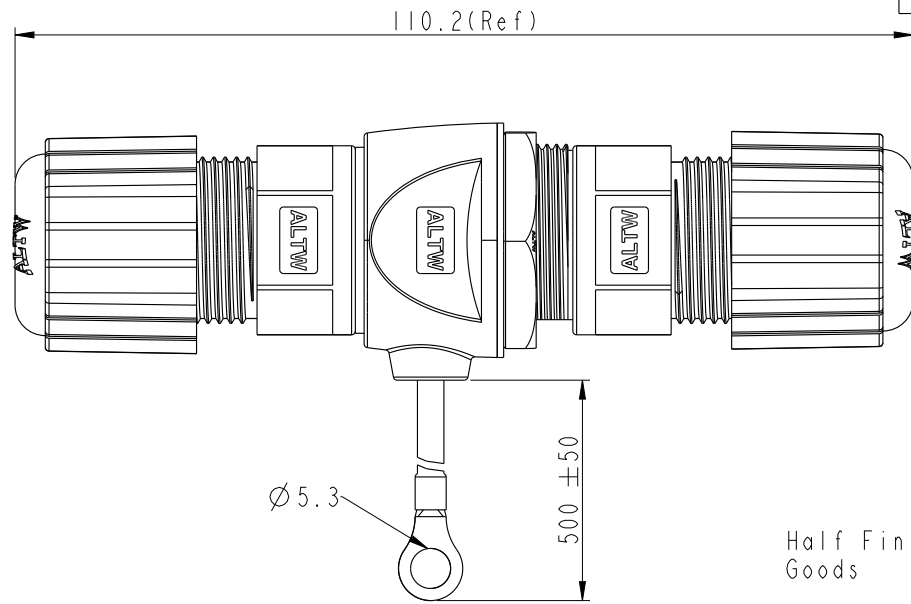
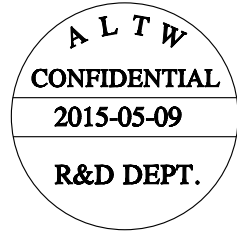
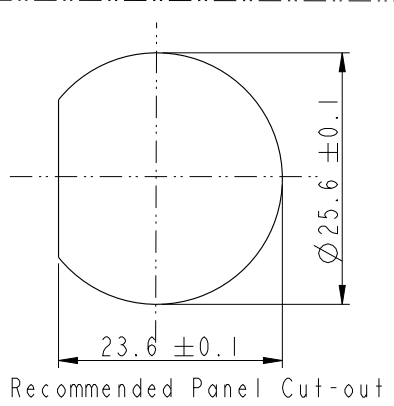


REV.	ECN NO.	DATE	SIGN	DESCRIPTION
A	Initial Release	2015-05-09	Tom	Change Rev. I To Rev. A



- Note:
- * \varnothing Important Dimention To Check.
 - * Waterproof Rate: IP67
 - * Sealing Nut: Nylon+GF, Black.
 - * Seals: SILICON, Dark Gray.
 - * Clamp Ring: Nylon, Black
 - * Gasket: Silicon, Dark Gray
 - * Panel Conn: PP, Black.
 - * For Panel Thickness Max: 4.5mm
 - * One Set Unassembled In One PE Bag.



UNIT:mm		
TOLERANCE	±0.5mm	

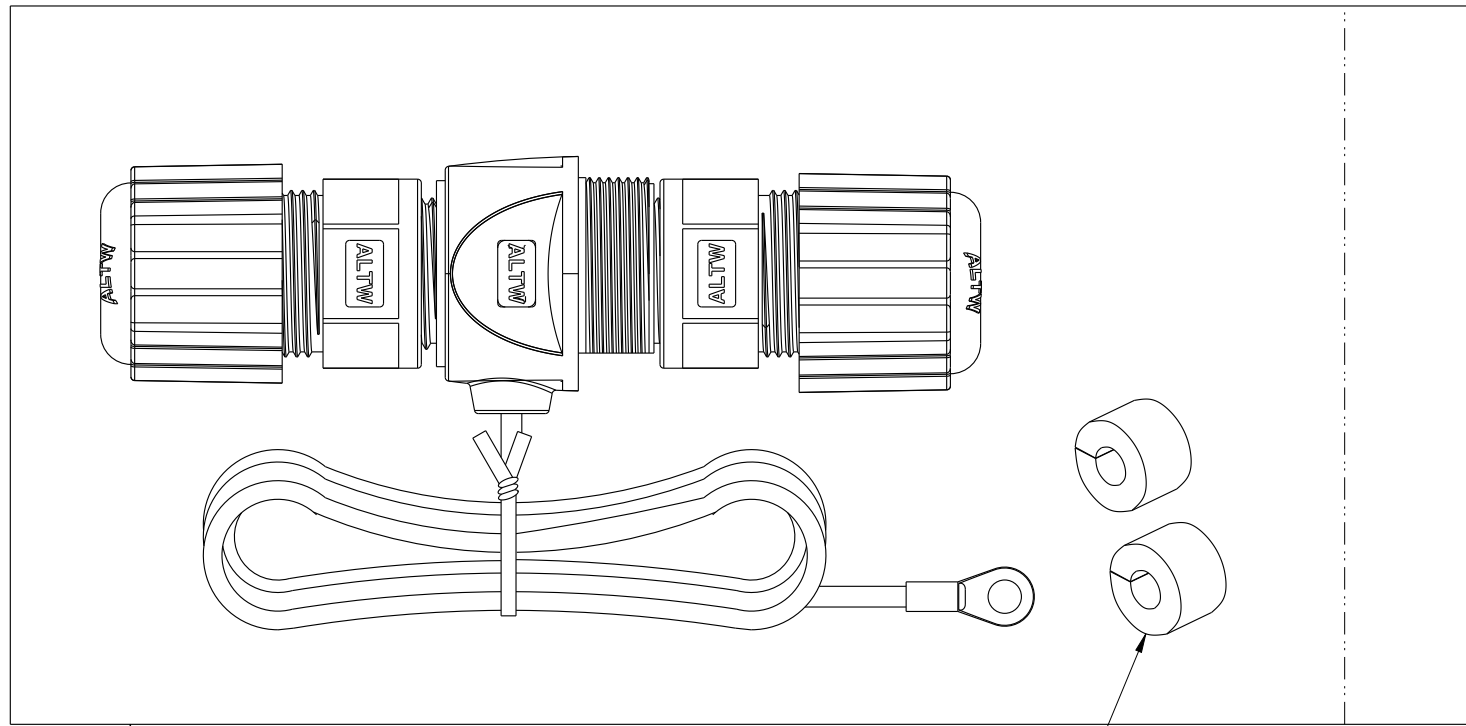
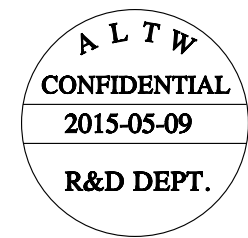
TITLE In-Line Configuration RJ45 Network Solution(Ground)			
SCALE 1:2	SIZE A4	SHEET 1 OF 2	
REV. A	WC-REV. A.4	QC: Inspection item	

Amphenol LTW
安費諾亮泰企業股份有限公司

ITEM NO RDP-00BFFA-SLM7002	DRAWN BY Tom	DATE 2015-05-09
DWG NO RDP-00BFFA-SLM7002	CHECKED BY Jiazhen	DATE 2015-05-09
CUSTOMER ALTW	APPROVED BY Jerry	DATE 2015-05-09

THIS DOCUMENT IS SUBJECT TO CHANGE WITHOUT NOTICE. IT IS CONFIDENTIAL AND A PROPERTY OF Amphenol LTW. DISCLOSURE TO THIRD PARTY HAS TO BE AUTHORIZED BY Amphenol LTW.

THIS DOCUMENT IS SUBJECT TO CHANGE WITHOUT NOTICE. IT IS CONFIDENTIAL AND A PROPERTY OF Amphenol LTW. DISCLOSURE TO THIRD PARTY HAS TO BE AUTHORIZED BY Amphenol LTW.



7 PE Bag

Seals*2PCS 8
ID:8mm

Put The Seal With ID:8mm Unassembled Inside The PE Bag

UNIT:mm TOLERANCE ±0.5mm	TITLE In-Line Configuration RJ45 Network Solution(Ground)		
	SCALE 1:2	SIZE A4	SHEET 2 OF 2
	REV. A	WC-REV. A.4	☉: Inspection item

Amphenol LTW
安費諾亮泰企業股份有限公司

ITEM NO RDP-00BFFA-SLM7002	DRAWN BY Tom	DATE 2015-05-09
DWG NO RDP-00BFFA-SLM7002	CHECKED BY Jiazhen	DATE 2015-05-09
CUSTOMER ALTW	APPROVED BY Jerry	DATE 2015-05-09