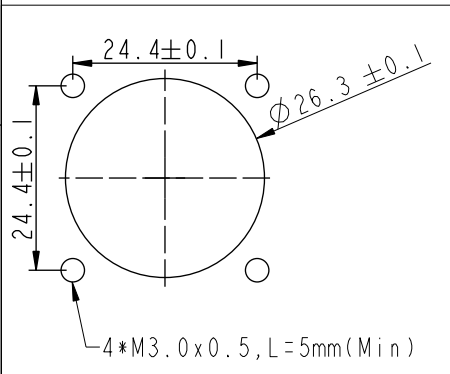
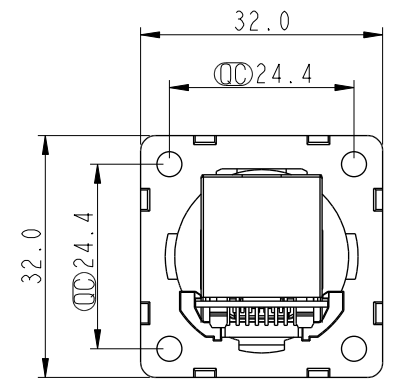
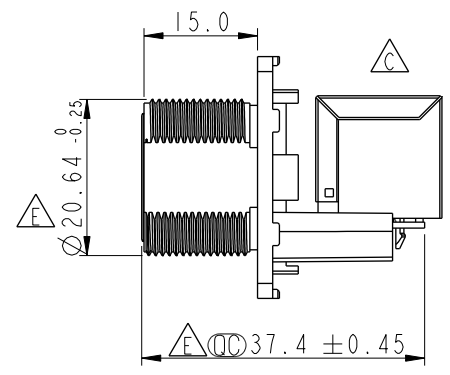
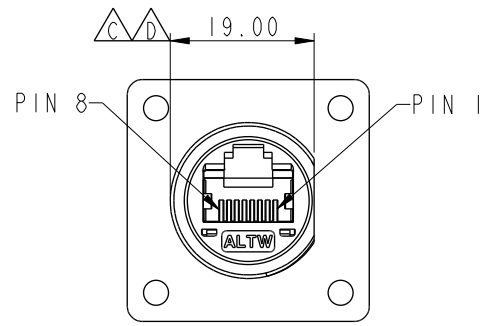
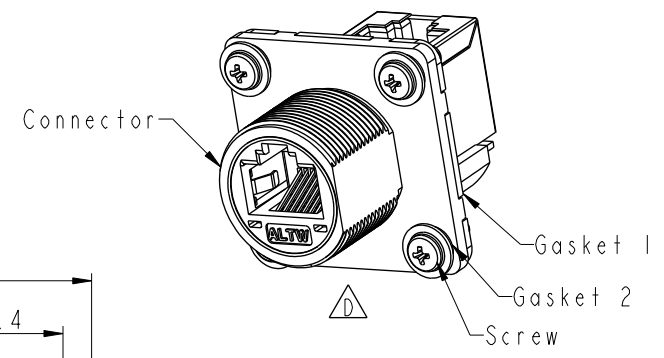
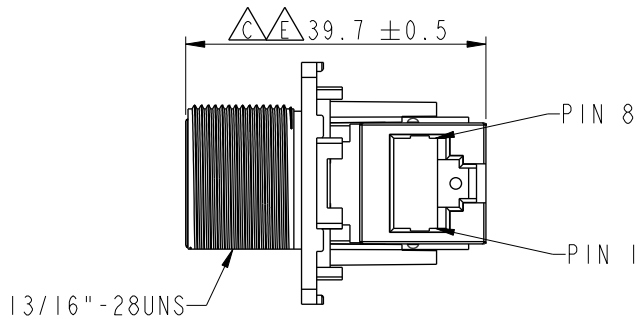


REV.	ECN NO.	DATE	SIGN	DESCRIPTION
E	LEN1810069	2017/11/28	Jalam	Change The Tolerance
F	C190405	2019/03/15	Ruru	Modify Note
G	C220799	2022/05/27	Vicky	$\triangle G$ X3



Recommended Panel Cut-Out $\triangle C \triangle D$

- $\triangle F \triangle G$ Note:
- * RoHS Compliant
 - * CC Important dimension
 - * Waterproof rate: IPX7, mated
 - * Connector
 - Housing: Thermoplastic, Black, RJ45 jack, shielded
 - * Gasket 1: Rubber, Gray
 - * Gasket 2: Rubber, Black
 - * Screw: Metal

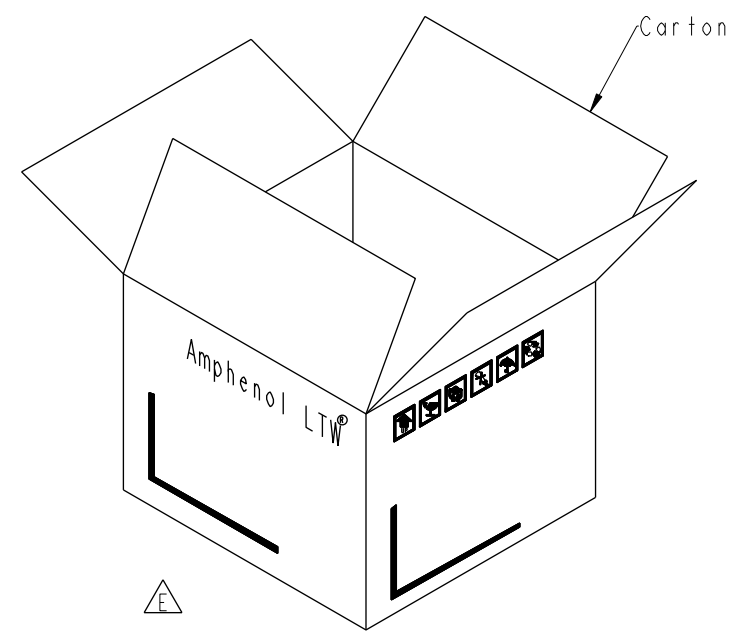
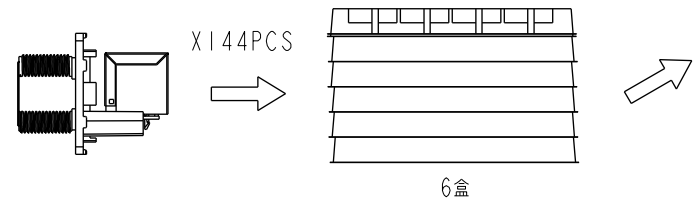
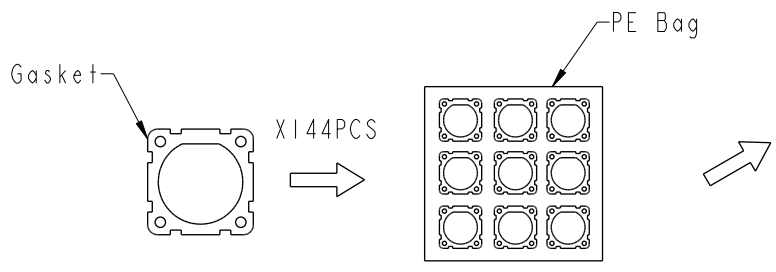
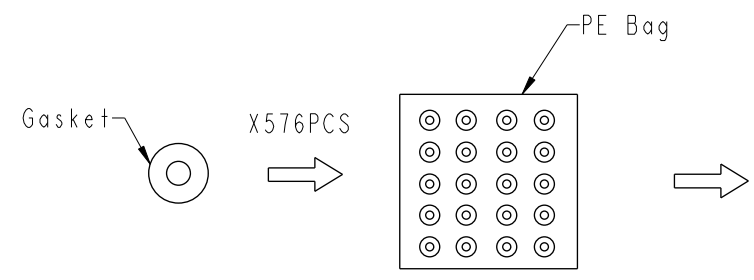
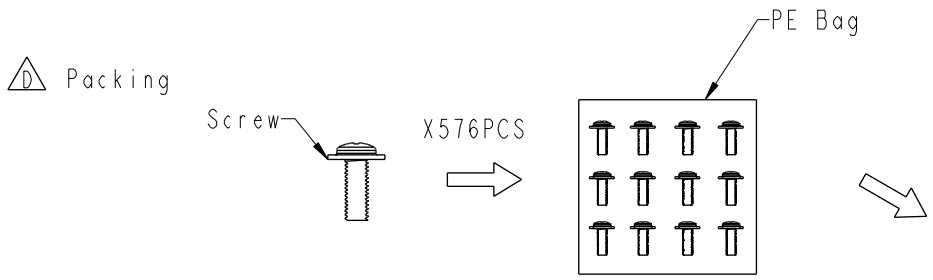
UNIT: mm	CC CC	TITLE	RJ, C PLASTIC, C5E SHLD FRONT FASTENED, F, PNL JACK R, SCREW $\triangle G$	
TOLERANCE	.X ±0.25 .XX ±0.1 .XXX ±0.05 ANGLES ±1°	SCALE	1:1	SIZE A4
		REV.	G	WC-REV. C.4
				CC : Inspection item
		SHEET	1	OF 2

Amphenol LTW
安費諾亮泰企業股份有限公司

ITEM NO	RCP-5SPFFV-SSM7001	DRAWN BY	Ruru	DATE	2019-03-15
DWG NO	RCP-5SPFFV-SSM7001	CHECKED BY	Rita	DATE	2019-03-15
CUSTOMER	ALTW	APPROVED BY	Max	DATE	2019-03-15

THIS DOCUMENT IS SUBJECT TO CHANGE WITHOUT NOTICE. IT IS CONFIDENTIAL AND A PROPERTY OF Amphenol LTW. DISCLOSURE TO THIRD PARTY HAS TO BE AUTHORIZED BY Amphenol LTW.

THIS DOCUMENT IS SUBJECT TO CHANGE WITHOUT NOTICE. IT IS CONFIDENTIAL AND A PROPERTY OF Amphenol LTW. DISCLOSURE TO THIRD PARTY HAS TO BE AUTHORIZED BY Amphenol LTW.



Note:
 * 1Pc產品配1Pc Gasket, 4Pcs Washer, 4Pcs Screw
 * 配件的出貨數量參考實際產品出貨數量

UNIT: mm			TITLE RJ, C PLASTIC, C5E SHLD FRONT FASTENED, F, PNL JACK R, SCREW	
TOLERANCE .X ±0.25 .XX ±0.1 .XXX ±0.05 ANGLES ±1°			SCALE 1:1	SIZE A4
			REV. G	WC-REV. C.4
				QC: Inspection item
				SHEET 2 OF 2

Amphenol LTW
 安費諾亮泰企業股份有限公司

ITEM NO RCP-5SPFFV-SSM7001	DRAWN BY Ruru	DATE 2019-03-15
DWG NO RCP-5SPFFV-SSM7001	CHECKED BY Rita	DATE 2019-03-15
CUSTOMER ALTW	APPROVED BY Max	DATE 2019-03-15