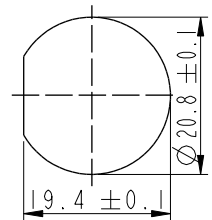
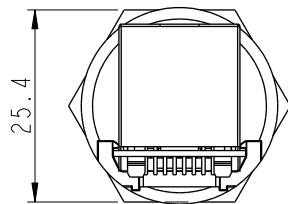
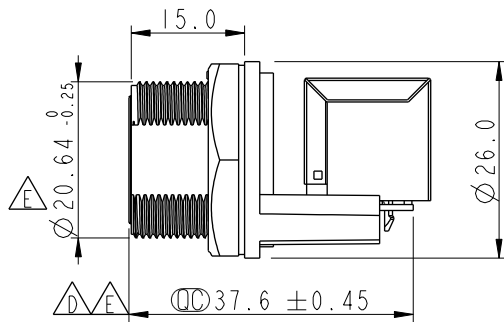
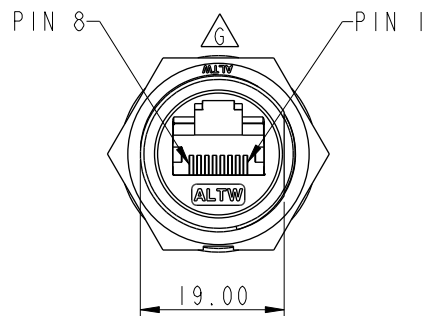
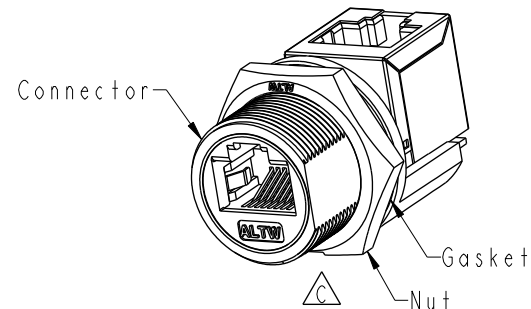
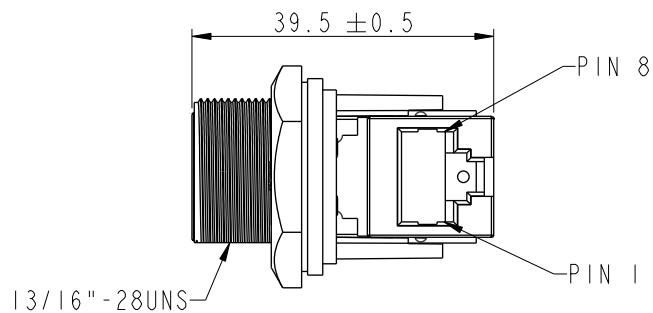


| REV. | ECN NO. | DATE | SIGN | DESCRIPTION |
|------|---------|------------|-------|------------------|
| F | C190405 | 2019/03/15 | Ruru | Modify Note |
| G | C200524 | 2020/04/22 | Vicky | $\triangle G$ X2 |
| H | C220799 | 2022/05/26 | Vicky | $\triangle H$ X1 |



Recommended Panel Cut-Out

- $\triangle F$ $\triangle H$ Note:
- * RoHS Compliant
 - * $\text{\textcircled{C}}$ Important dimension
 - * Waterproof rate: IPX7, unmated
 - * Connector Housing: Thermoplastic, Black, RJ45 jack, shielded
 - * Nut: Thermoplastic, Black
 - * Gasket: Rubber, Gray
 - * Use with waterproof cap or dust cap
Panel thickness max: 3.0mm
 - * Use without waterproof cap or dust cap
Panel thickness max: 4.2mm
 - * Gasket and nut are packed separately in pe bag

| | | | | | | | | | | | |
|---|------------|------------|----------|--|--|---------|--------------------|------------|-------------|------|------------|
| A | UNIT: mm | | | TITLE | $\triangle G$ | ITEM NO | RCP-5SPFFV-SCU7001 | DRAWN BY | Ruru | DATE | 2019-03-15 |
| | TOLERANCE | .X ±0.25 | .XX ±0.1 | RJ, C PLASTIC, C5E SHLD FRONT FASTENED, F, PNL JACK R, SCREW | | DWG NO | RCP-5SPFFV-SCU7001 | CHECKED BY | Rita | DATE | 2019-03-15 |
| | .XXX ±0.05 | ANGLES ±1° | SCALE | 1:1 | SIZE | A4 | SHEET | 1 | OF | 1 | |
| | REV. | H | WC-REV. | C.4 | $\text{\textcircled{C}}$: Inspection item | | CUSTOMER | ALTW | APPROVED BY | Max | DATE |

Amphenol LTW
安費諾亮泰企業股份有限公司

THIS DOCUMENT IS SUBJECT TO CHANGE WITHOUT NOTICE. IT IS CONFIDENTIAL AND A PROPERTY OF AMPHENOL LTW. DISCLOSURE TO THIRD PARTY HAS TO BE AUTHORIZED BY AMPHENOL LTW.