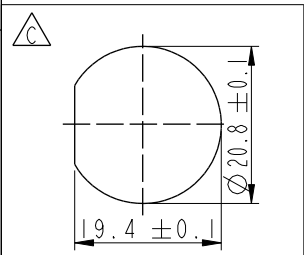
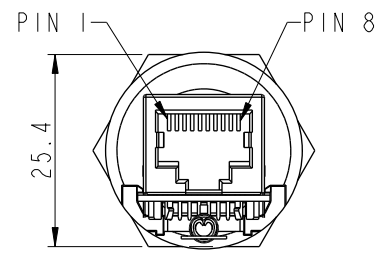
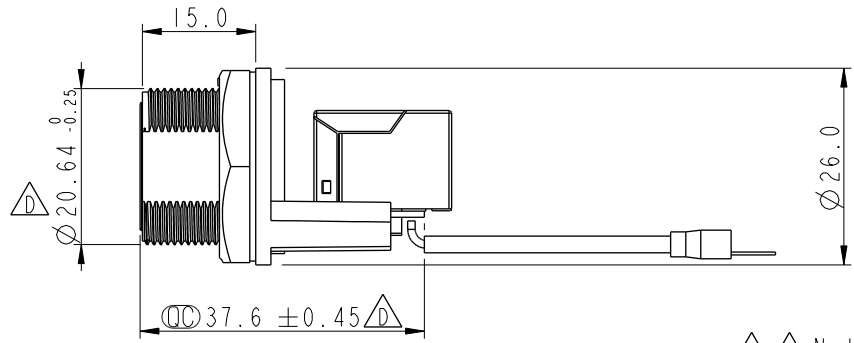
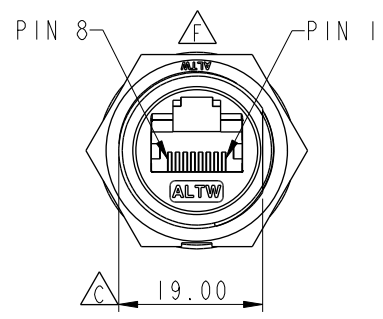
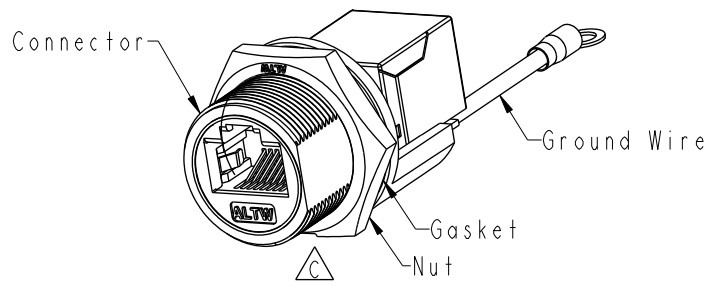
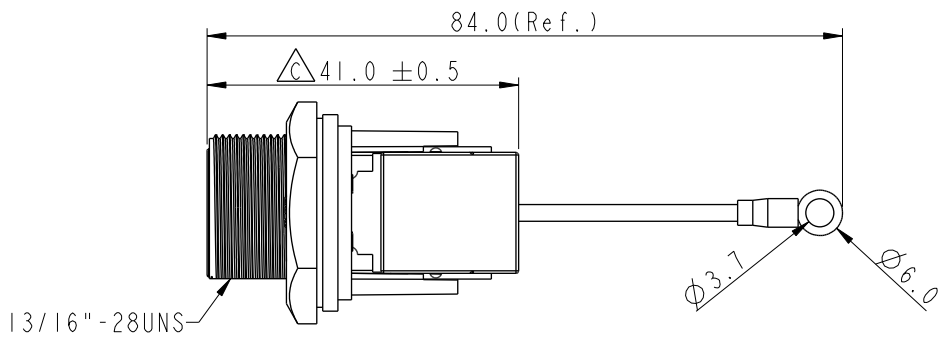


REV.	ECN NO.	DATE	SIGN	DESCRIPTION
E	C190405	2019/03/18	Ruru	Modify Note
F	C200524	2020/04/22	Vicky	$\triangle F$ X2
G	C220799	2022/05/25	Vicky	$\triangle G$ X1



Recommended Panel Cut-Out

- $\triangle F$ $\triangle G$ Note:
- * RoHS Compliant
 - * ⌀ Important dimension
 - * Waterproof rate: IPX7, unmated
 - * Connector
 - * Housing: Thermoplastic, Black, RJ45 jack, shielded
 - * Nut: Thermoplastic, Black
 - * Gasket: Rubber, Gray
 - * Use with waterproof cap or dust cap
Panel thickness max: 3.0mm
 - * Use without waterproof cap or dust cap
Panel thickness max: 4.2mm
 - * Gasket and nut are assembled on connectors
 - * Wire: UL1015, 20AWG, Green

UNIT: mm		TITLE RJ, C PLASTIC, C5E SHLD FRONT FASTENED, F, PNL JACK S, SCREW
TOLERANCE .X ±0.25 .XX ±0.1 .XXX ±0.05 ANGLES ±1°	SCALE 1:1	SIZE A4
	REV. G	SHEET 1 OF 1
	WC-REV. B.5	⌀ Inspection item

Amphenol LTW
安費諾亮泰企業股份有限公司

ITEM NO RCP-5SPFFH-SCU7002	DRAWN BY Ruru	DATE 2019-03-18
DWG NO RCP-5SPFFH-SCU7002	CHECKED BY Rita	DATE 2019-03-18
CUSTOMER ALTW	APPROVED BY Max	DATE 2019-03-18

THIS DOCUMENT IS SUBJECT TO CHANGE WITHOUT NOTICE. IT IS CONFIDENTIAL AND A PROPERTY OF AMPHENOL LTW. DISCLOSURE TO THIRD PARTY HAS TO BE AUTHORIZED BY AMPHENOL LTW.