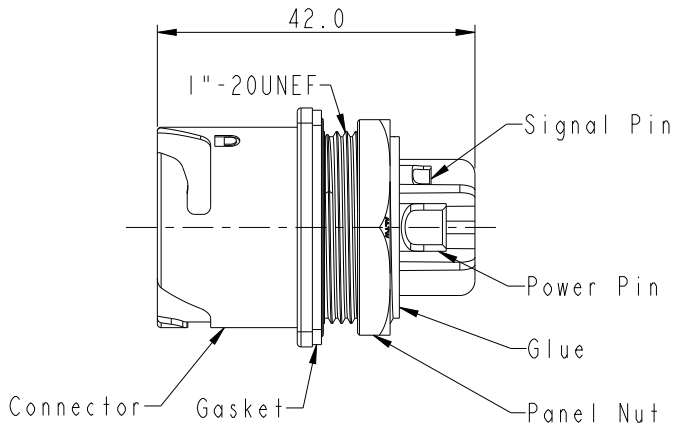
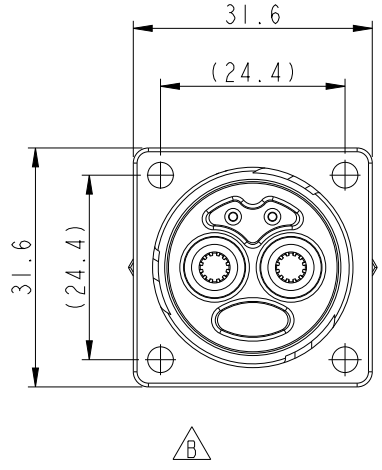
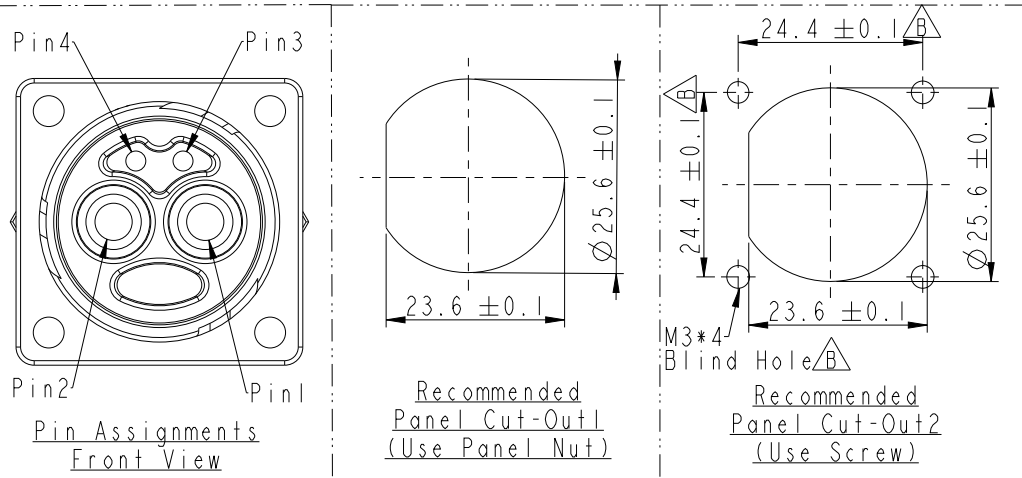


THIS DOCUMENT IS SUBJECT TO CHANGE WITHOUT NOTICE. IT IS CONFIDENTIAL AND A PROPERTY OF AMPHENOL LTW. DISCLOSURE TO THIRD PARTY HAS TO BE AUTHORIZED BY AMPHENOL LTW.

REV.	ECN NO.	DATE	SIGN	DESCRIPTION
A		2019/11/29	NianPing Yu	New initial
B	C200846	2020/06/16	Bovan Lu	$\triangle B$ X5
C	C220306	2022/02/25	Kyle Huang	$\triangle C$ XI



- $\triangle B$ Notes:
- * Waterproof Rate: IP67(Mated).
 - * Connector: Thermoplastic, Black.
 - * Power Pin: Copper Alloy, Silver Plated. $\triangle C$
 - * Signal Pin: Copper Alloy, Gold Plated.
 - * Gasket: Rubber.
 - * Panel Nut: Thermoplastic, Black.
 - * Use Waterproof Cap or Dust Cap
Panel Thickness Max.: 3.0mm.
 - * Without Waterproof Cap or Dust Cap
Panel Thickness Max.: 4.0mm.
 - * Other:
 Recommended Wire Spec(Power):
 Conductor: 8 AWG(8.37mm²)
 Recommended Wire Spec(Signal):
 Conductor: 20 AWG~22 AWG(0.52mm²~0.32mm²)
 Current Rating: 50A(Power), 2A(Signal).
 Voltage Rating: 600V(Power), 30V(Signal).
 Un-assembly Nut Shipment.



UNIT:mm TOLERANCE ± 0.5 mm	TITLE POWER, PANEL, REAR MOUNT M CONN F PIN		Amphenol LTW 安費諾亮泰企業股份有限公司		ITEM NO PWMU-04RMFS-TS7001	DRAWN BY NianPing Yu	DATE 2019/11/29
	SCALE 1:1	SIZE A4			SHEET 1	OF 1	DWG NO PWMU-04RMFS-TS7001
REV. C	WC-REV. .0	QC: Inspection item		CUSTOMER ALTW	APPROVED BY Max Yang	DATE 2019/11/29	