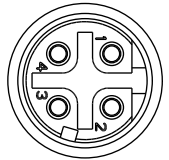
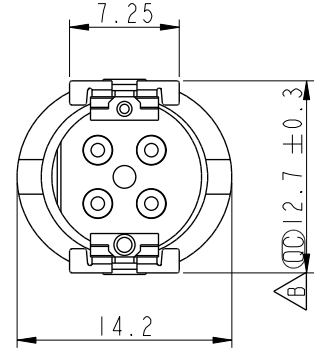
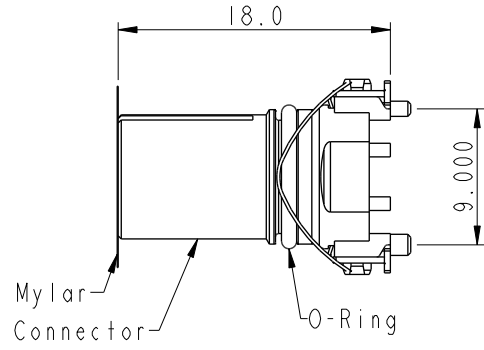


REV.	ECN NO.	DATE	SIGN	DESCRIPTION
A		2020-07-14	Allen Pan	Rev.01 To Rev.A
B	C210309	2021-03-12	Ruru	$\triangle B$ X5

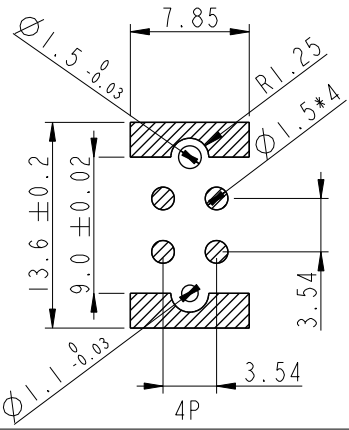
$\triangle B$
MSDS-XXPFFT-EE0001

XX: No. Of Pin



4P

Pin Assignment
Front View



PCB Layout

- $\triangle B$ Note:
- * RoHS Compliant
 - * $\text{\textcircled{C}}$ Important dimension
 - * Waterproof rate: Non-Waterproof
 - * Connector
 - Housing: Thermoplastic, Black
 - Pin: Copper Alloy, Gold Plated
 - * O-Ring: Rubber, Black
 - * Mylar: PI, Amber

UNIT: mm		
TOLERANCE	.X	±0.25
	.XX	±0.1
	.XXX	±0.05
ANGLES		±1°

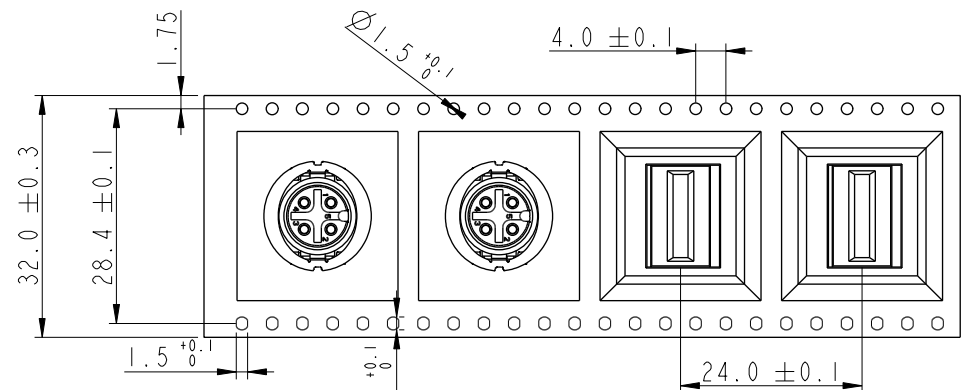
TITLE N SEN, M12 D -SHLD, NONE RECEPTACLE, F, F, PCB SMT $\triangle B$			
SCALE	2:1	SIZE	A4
		SHEET	1 OF 3
REV.	B	WC-REV.	A.1
		$\text{\textcircled{C}}$	Inspection item

Amphenol LTW
安費諾亮泰企業股份有限公司

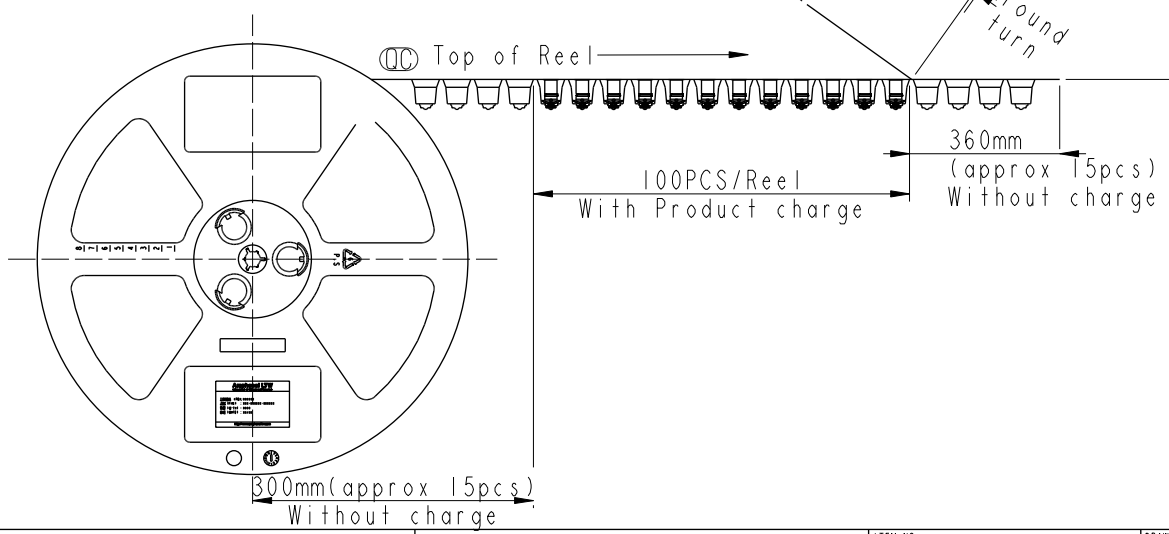
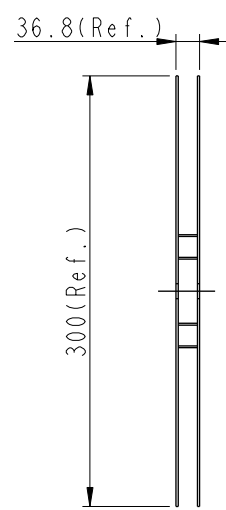
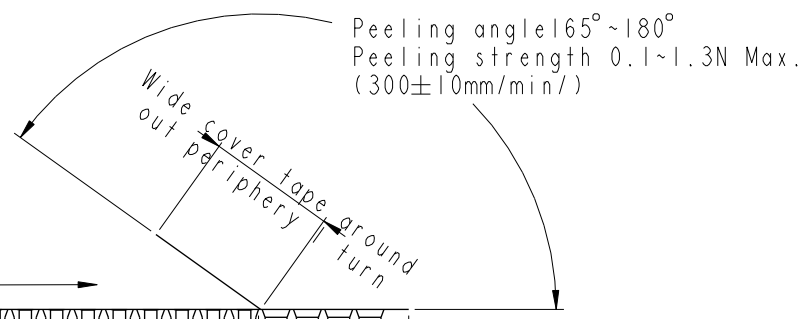
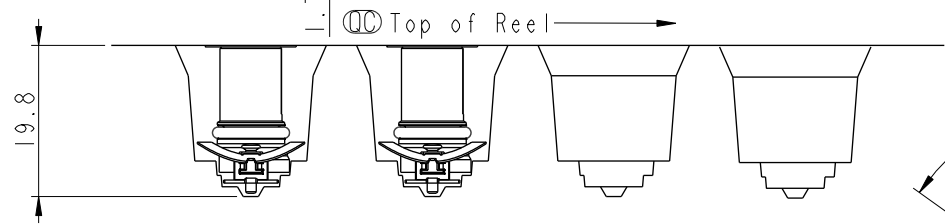
ITEM NO.	DRAWN BY	DATE
DWG NO.	CHECKED BY	DATE
CUSTOMER	APPROVED BY	DATE
ALTW	Allen Pan	2020-07-14
	Sam Ho	2020-07-14
	Fred Lee	2020-07-14

THIS DOCUMENT IS SUBJECT TO CHANGE WITHOUT NOTICE. IT IS CONFIDENTIAL AND A PROPERTY OF AMPHENOL LTW. DISCLOSURE TO THIRD PARTY HAS TO BE AUTHORIZED BY AMPHENOL LTW.

THIS DOCUMENT IS SUBJECT TO CHANGE WITHOUT NOTICE. IT IS CONFIDENTIAL AND A PROPERTY OF Amphenol LTW. DISCLOSURE TO THIRD PARTY HAS TO BE AUTHORIZED BY Amphenol LTW.



NOTE:
 * Connector Orient follow Drawing



UNIT: mm		
TOLERANCE	.X ±0.25	
	.XX ±0.1	
	.XXX ±0.05	
ANGLES	±1°	

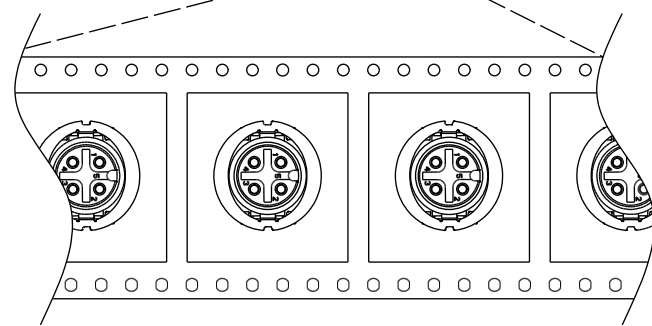
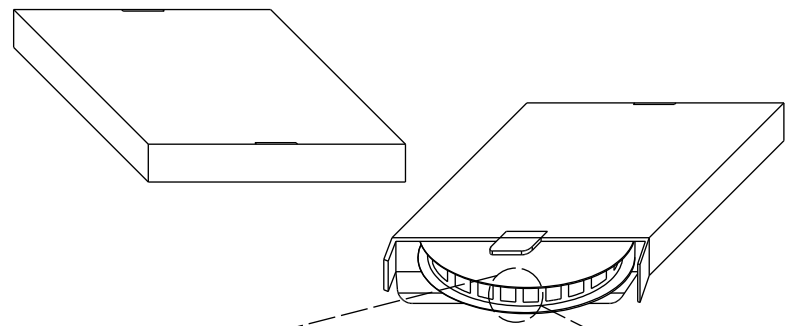
TITLE N SEN, M12 D -SHLD, NONE RECEPTACLE, F, F, PCB SMT			
SCALE	FREE	SIZE	A4
		SHEET	2 OF 3
REV.	B	WC-REV.	A.1
			Inspection item

Amphenol LTW
 安費諾亮泰企業股份有限公司

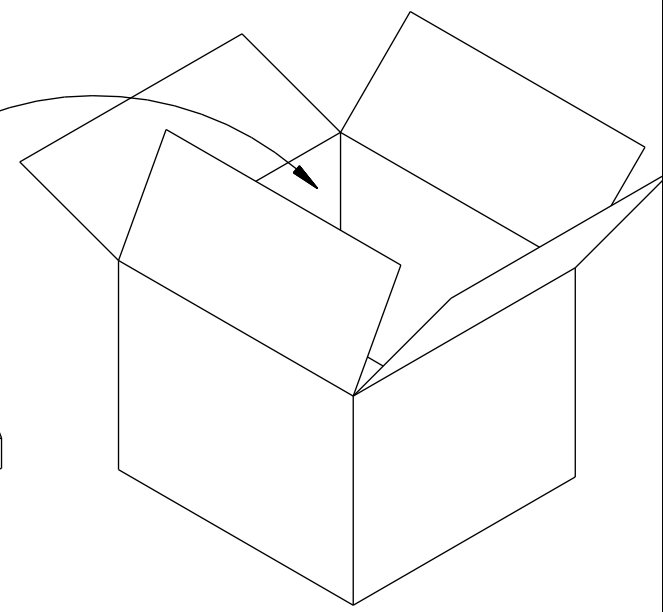
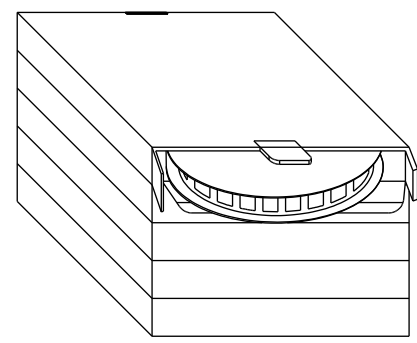
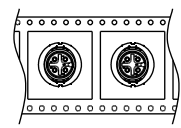
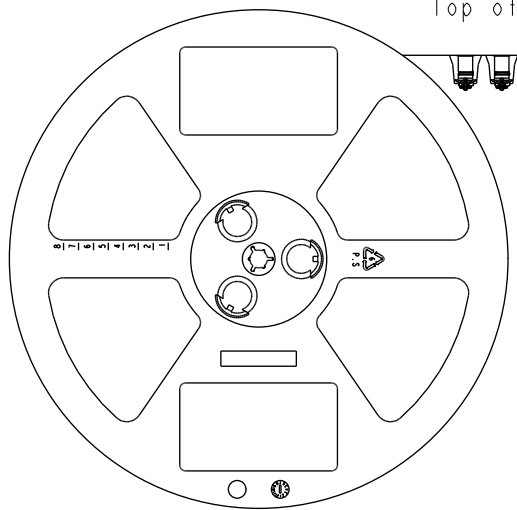
ITEM NO	DRAWN BY	DATE
DWG NO	CHECKED BY	DATE
CUSTOMER	APPROVED BY	DATE
ALTW	Allen Pan	2020-07-14
	Sam Ho	2020-07-14
	Fred Lee	2020-07-14

DATE	2020-07-14
DATE	2020-07-14
DATE	2020-07-14

THIS DOCUMENT IS SUBJECT TO CHANGE WITHOUT NOTICE. IT IS CONFIDENTIAL AND A PROPERTY OF AMPHENOL LTW. DISCLOSURE TO THIRD PARTY HAS TO BE AUTHORIZED BY AMPHENOL LTW.



Top of Reel →



Note:
 100 PCS(Connector)/Tape&Reel Put in a Box
 5PCS(Max.) Box Put in a Carton

UNIT: mm	
TOLERANCE	
.X	±0.25
.XX	±0.1
.XXX	±0.05
ANGLES	±1°

TITLE N SEN, M12 D -SHLD, NONE RECEPTACLE, F, F, PCB SMT			
SCALE	SIZE	SHEET 3 OF 3	
FREE	A4		
REV. B	WC-REV. A.1	: Inspection item	

Amphenol LTW
 安費諾亮泰企業股份有限公司

ITEM NO	DRAWN BY
DWG NO	CHECKED BY
CUSTOMER	APPROVED BY

Allen Pan	DATE
Sam Ho	DATE
Fred Lee	DATE

2020-07-14	DATE
2020-07-14	DATE
2020-07-14	DATE