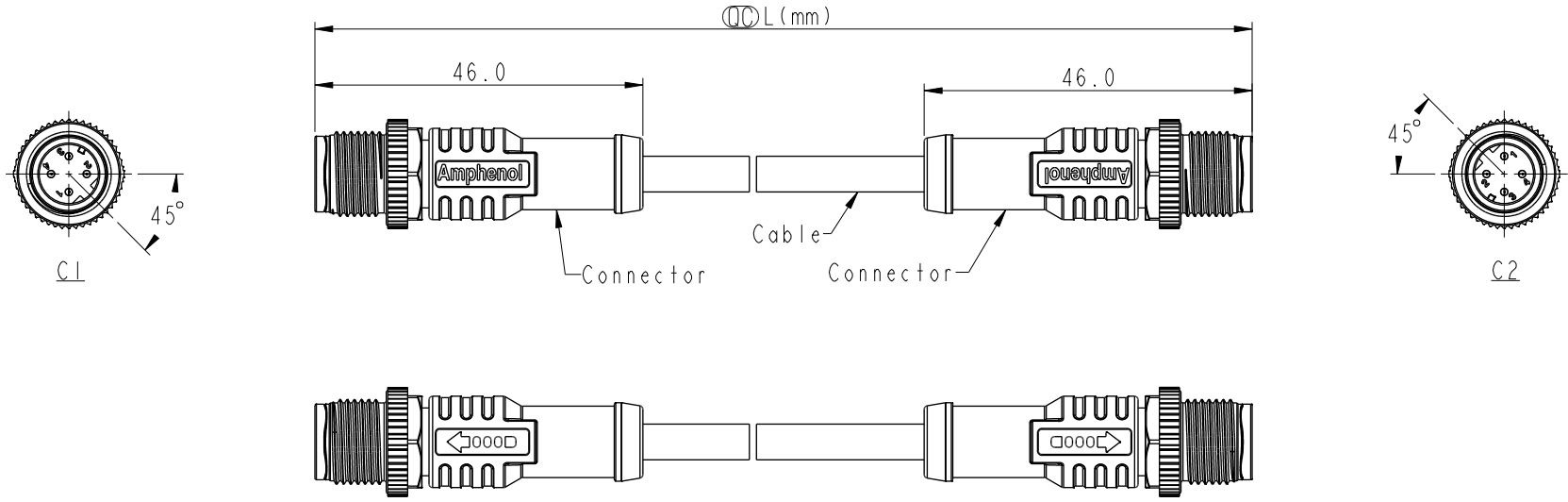


THIS DOCUMENT IS SUBJECT TO CHANGE WITHOUT NOTICE. IT IS CONFIDENTIAL AND A PROPERTY OF AMPHENOL LTW. DISCLOSURE TO THIRD PARTY HAS TO BE AUTHORIZED BY AMPHENOL LTW.

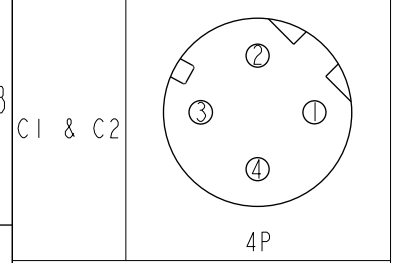
REV.	ECN NO.	DATE	SIGN	DESCRIPTION
B	C201809	2020/11/20	Vicky	$\triangle B$ X3
C	C210237	2021/03/29	Ruru	$\triangle C$ X2
D	C230014	2022/12/30	Ruru	$\triangle D$ X1



$\triangle B$ MSDPXXML-SDPML-SDXXX
 XX: No. Of Pin
 XXX: 0.5~99Meters
 A05: 0.5 Meter
 001: 1 Meter
 002: 2 Meters
 :
 099: 99 Meters

Note: $\triangle B$ $\triangle C$
 * RoHS Compliant
 * \odot Important dimension
 $\triangle D$ * Waterproof rate: IP68, mated 1m/24h
 IP69K, mated
 * Connector:
 Housing: Thermoplastic, Black
 Pin: Copper alloy, Gold plated
 Nut: Thermoplastic, Black
 Outer mold: Thermoplastic, Black
 * Cable: UL2517, 22#4C, OD=4.8mm, PVC Jacket, Black
 * Cable length tolerance: 0.5M < L \leq 1M: +60/-0 mm
 1M < L \leq 3M: +120/-0 mm
 3M < L \leq 5M: +160/-0 mm
 5M < L \leq 10M: \pm 100 mm
 10M < L \leq 20M: \pm 200 mm
 20M < L \leq 30M: \pm 300 mm
 30M < L \leq 99M: \pm 500 mm

Pin Out	Wire	Color
5	--	
4	Black	黑
3	Blue	藍
2	White	白
1	Brown	棕



Pin Assignments Front View

UNIT:mm	\odot	∇
TOLERANCE	± 0.5 mm	

TITLE ACC, SEN, D Code, DB-ENDED MM $\triangle C$			
SCALE 1:2	SIZE A4	SHEET 1 OF 1	
REV. D	WC-REV. A.5	\odot : Inspection item	

Amphenol LTW
 安費諾亮泰企業股份有限公司

ITEM NO	DRAWN BY Ruru	DATE 2018-12-12
DWG NO $\triangle B$ MSDPXXML-SDPML-SDXXX	CHECKED BY Rita	DATE 2018-12-12
CUSTOMER ALTW	APPROVED BY Max	DATE 2018-12-12