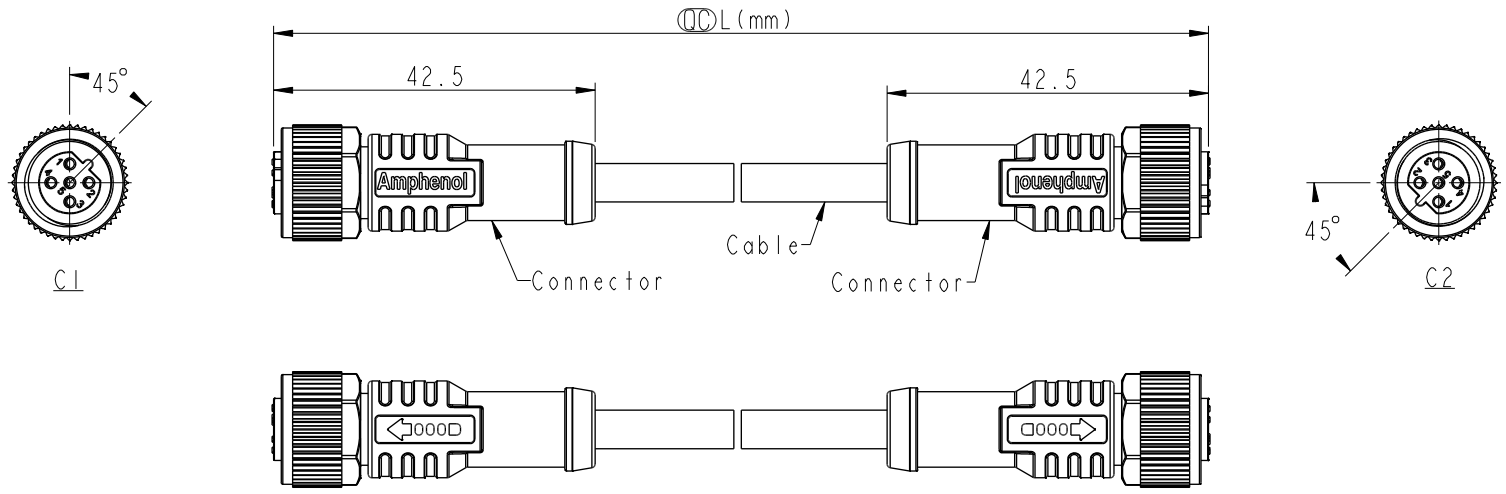


THIS DOCUMENT IS SUBJECT TO CHANGE WITHOUT NOTICE. IT IS CONFIDENTIAL AND A PROPERTY OF Amphenol LTW. DISCLOSURE TO THIRD PARTY HAS TO BE AUTHORIZED BY Amphenol LTW.

REV.	ECN NO.	DATE	SIGN	DESCRIPTION
B	C201781	2020/11/12	Ruru	$\triangle B$ X3
C	C210497	2021/03/30	Ruru	$\triangle C$ X2
D	C230014	2022/12/30	Ruru	$\triangle D$ X1



Pin Out	5 Gray 4 Black 3 Blue 2 White 1 Brown	灰 黑 藍 白 棕
	Pin # Wire	
CI & C2	<p>5P</p>	

$\triangle B$
MSBPXXFL-SBPFL-SBXXX

XX: No. Of Pin

XXX: 0.5~99Meters
 A05: 0.5 Meter
 1: 01 Meter
 2: 02 Meters
 :
 99: 99 Meters

Note: $\triangle B \triangle C$

- * RoHS Compliant
- * ϕ Important dimension
- $\triangle D$ * Waterproof rate: IP68, mated 1m/24h
IP69K, mated
- * Connector:
 Housing: Thermoplastic, Black
 Pin: Copper alloy, Gold plated
 O-Ring: Rubber, Green
 Nut: Thermoplastic, Black
 Outer mold: Thermoplastic, Black
- * Cable: UL20549, 22#5C, OD=4.4mm, PUR Jacket, Black
- * Cable length tolerance:
 - 0.5M < L ≤ 1M: +60/-0 mm
 - 1M < L ≤ 3M: +120/-0 mm
 - 3M < L ≤ 5M: +160/-0 mm
 - 5M < L ≤ 10M: ±100 mm
 - 10M < L ≤ 20M: ±200 mm
 - 20M < L ≤ 30M: ±300 mm
 - 30M < L ≤ 99M: ±500 mm

A	UNIT:mm		TITLE	ACC, SEN, B Code, DB-ENDED FF		ITEM NO	DRAWN BY	DATE
	TOLERANCE	± 0.5 mm	SCALE	1:2	SIZE	A4	CHECKED BY	DATE
			REV.	D	WC-REV.		APPROVED BY	DATE
					ϕ : Inspection item	CUSTOMER	ALTW	2018-12-07
<h1>Amphenol LTW</h1> <p>安費諾亮泰企業股份有限公司</p>						DWG NO	$\triangle B$ MSBPXXFL-SBPFL-SBXXX	2018-12-07
							Max	2018-12-07