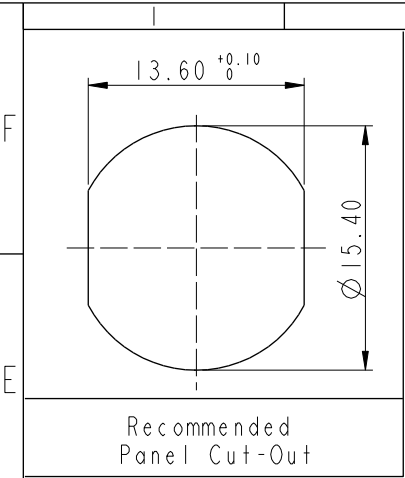
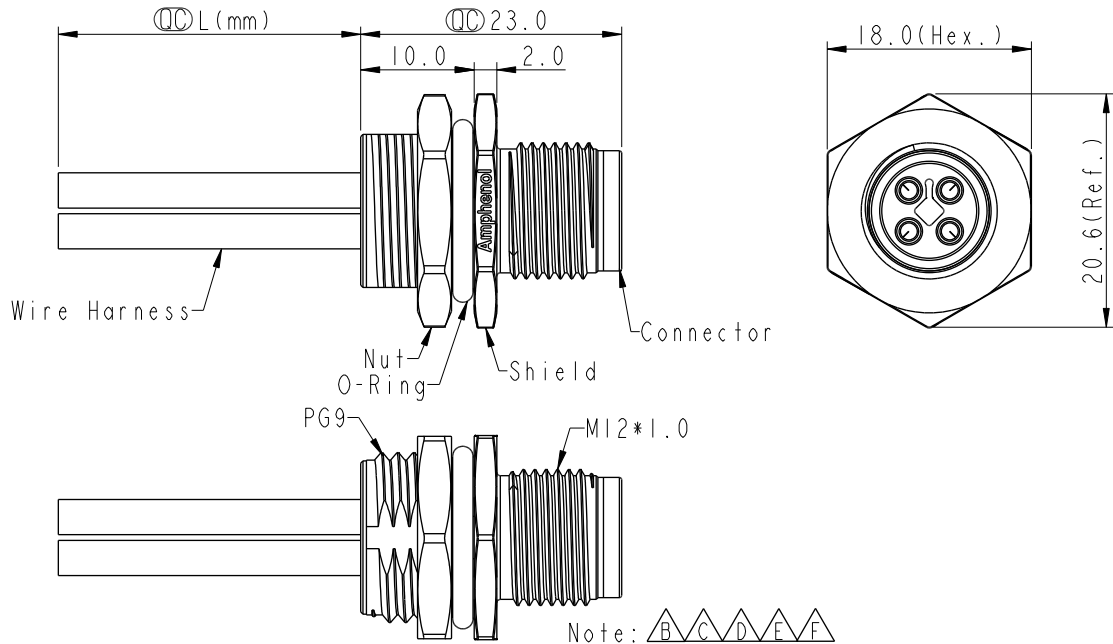
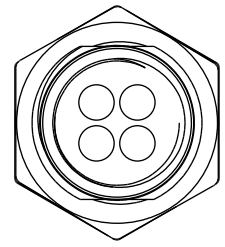


THIS DOCUMENT IS SUBJECT TO CHANGE WITHOUT NOTICE. IT IS CONFIDENTIAL AND A PROPERTY OF Amphenol LTW. DISCLOSURE TO THIRD PARTY HAS TO BE AUTHORIZED BY Amphenol LTW.

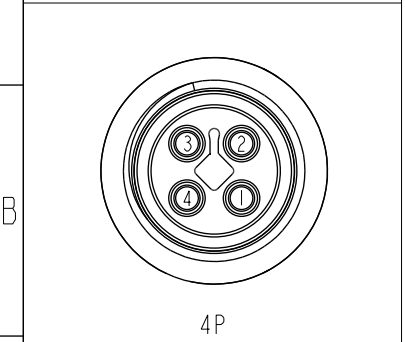
REV.	ECN NO.	DATE	SIGN	DESCRIPTION
F	C210593	2021/04/19	Ruru	$\triangle F$ X3
G	C221890	2022/12/29	Vicky	$\triangle G$ XI
H	C231037	2023/08/08	Vicky	$\triangle H$ XI



Recommended Panel Cut-Out



Pin #	Wire	Pin Out
4	Black	黑
3	Blue	藍
2	White	白
1	Brown	棕



Pin Assignments Front View

$\triangle C \triangle D \triangle F$
M12T-XXPMMS-SH8BXX
XX: No. Of Pin

10:100mm
15:150mm
20:200mm
↓
95:950mm
Cable Pitch Unit:50mm

A0:1000mm
↓
A5:1500mm
Cable Pitch Unit:100mm
Wire Length(L):150~1500mm

- Note: $\triangle B \triangle C \triangle D \triangle E \triangle F$
- * RoHS Compliant
 - * \odot Important dimension
 - * $\triangle G$ Waterproof rate: IP68, unmated 1m/24h
 - * $\triangle H$ IP69K, mated
 - * Connector
 - Housing: Thermoplastic, Black
 - Pin: Copper alloy, Gold plated
 - * Shield: Metal
 - * Nut: Metal
 - * O-Ring: Rubber, Black
 - * Wire harness: UL1015, 16AWG
 - * For panel thickness max: 4.5mm
 - * O-Ring and nut are assembled on connectors
 - * Wire harness tolerance: 100mm: ± 10 mm
 - 100mm < L \leq 300mm: ± 15 mm
 - 300mm < L \leq 1000mm: ± 20 mm
 - 1000mm < L \leq 1500mm: ± 50 mm

UNIT:mm		
TOLERANCE	.X ± 0.25	
	.XX ± 0.1	
	.XXX ± 0.05	
ANGLES	$\pm 1^\circ$	

TITLE N SEN, M12 T, SCREW RECEPTACLE, M, M, SOLDER $\triangle D \triangle E \triangle F$			
SCALE 1:1	SIZE A4	SHEET 1	OF 1
REV. H	WC-REV. A.2	\odot : Inspection item	

Amphenol LTW
安費諾亮泰企業股份有限公司

ITEM NO	DRAWN BY Vicky	DATE 2019-09-20
DWG NO $\triangle D$ M12T-XXPMMS-SH8BXX	CHECKED BY Rita	DATE 2019-09-20
CUSTOMER ALTW	APPROVED BY Max	DATE 2019-09-20