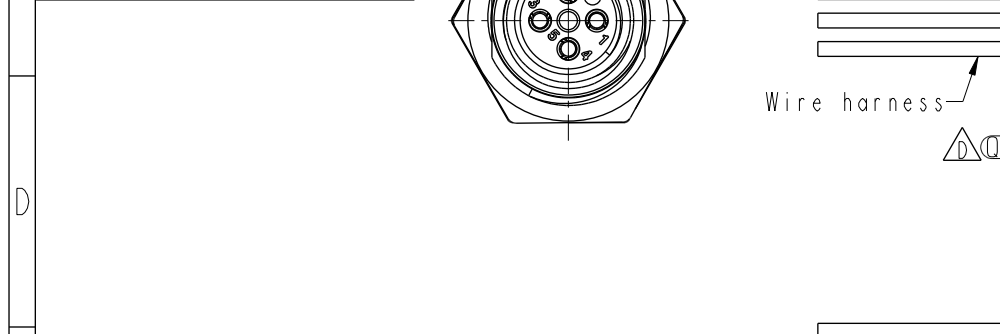
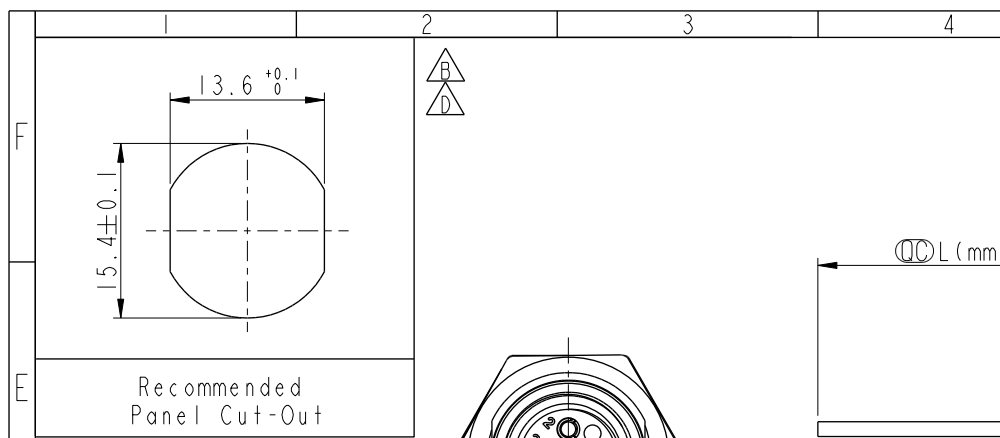
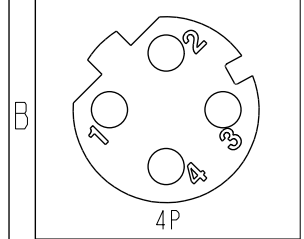


THIS DOCUMENT IS SUBJECT TO CHANGE WITHOUT NOTICE. IT IS CONFIDENTIAL AND A PROPERTY OF Amphenol LTW. DISCLOSURE TO THIRD PARTY HAS TO BE AUTHORIZED BY Amphenol LTW.

REV.	ECN NO.	DATE	SIGN	DESCRIPTION
E	C210593	2021/04/16	Ruru	X3
F	C221879	2022/12/20	Ruru	X1
G	C231032	2023/08/07	Ruru	X1



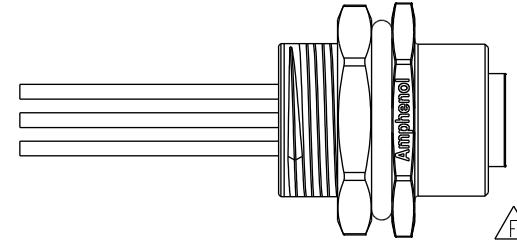
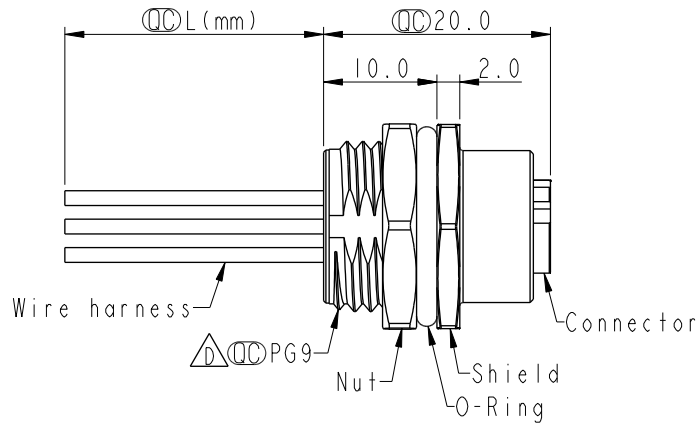
4	Black	黑
3	Blue	藍
2	White	白
1	Brown	棕



Pin Assignments Front View

TOLERANCE	
.X	±0.25
.XX	±0.1
.XXX	±0.05
ANGLES	±1°

MI2D-XXPFFC-SH8BXX
 XX: No. Of Pin



- 10: 100mm
- 15: 150mm
- 20: 200mm
- 95: 950mm
- Cable Pitch Unit: 50mm
- A0: 1000mm
- A5: 1500mm
- Cable Pitch Unit: 100mm
- Wire Length(L): 150~1500mm

- Note: C D E
- * RoHS Compliant
 - * Important dimension
 - * Waterproof rate: IP68, unmated 1m/24h
 - * IP69K, mated
 - * Connector
 - * Housing: Thermoplastic, Black
 - * Pin: Copper alloy, Gold plated
 - * O-Ring: Rubber, Green
 - * Shield: Metal
 - * Nut: Metal
 - * O-Ring: Rubber, Black
 - * Wire harness: UL1061, 22AWG
 - * For panel thickness max: 4.5mm
 - * O-Ring and nut are assembled on connectors
 - * Wire harness tolerance: 100mm: ±10mm
 - 100mm < L ≤ 300mm: ±15mm
 - 300mm < L ≤ 1000mm: ±20mm
 - 1000mm < L ≤ 1500mm: ±50mm

UNIT:mm		TITLE	
N SEN, MI2 D, SCREW RECEPTACLE, F, F, FI/PANEL CRIMP		Amphenol LTW	
SCALE	2:1	SIZE	A4
REV.	G	SHEET	1 OF 1
WC-REV.	A.5	Inspection item	

Amphenol LTW
 安費諾亮泰企業股份有限公司

ITEM NO	DRAWN BY	DATE
M12D-XXPFFC-SH8BXX	Vicky	2019-09-18
CUSTOMER	CHECKED BY	DATE
ALTW	Rita	2019-09-18
APPROVED BY	DATE	
Max	2019-09-18	