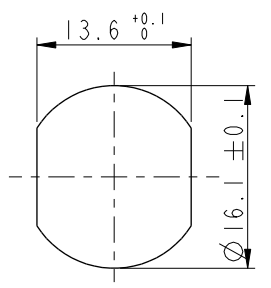


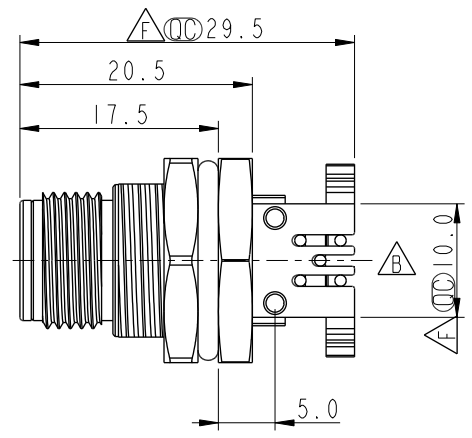
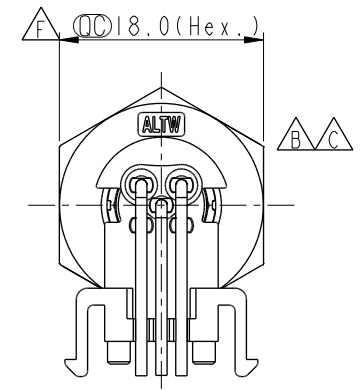
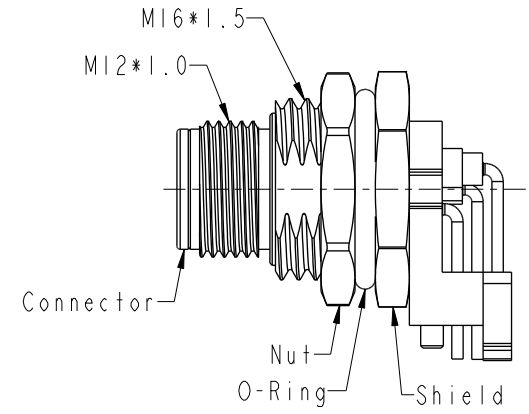
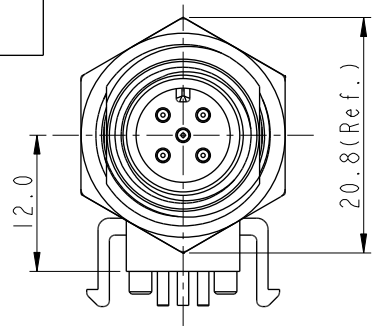
THIS DOCUMENT IS SUBJECT TO CHANGE WITHOUT NOTICE. IT IS CONFIDENTIAL AND A PROPERTY OF Amphenol LTW. DISCLOSURE TO THIRD PARTY HAS TO BE AUTHORIZED BY Amphenol LTW.

REV.	ECN NO.	DATE	SIGN	DESCRIPTION
F	C210309	2021/02/24	Ruru	$\triangle F$ X6
G	C221973	2022/12/22	Ruru	$\triangle G$ X1
H	C231034	2023/08/08	Ruru	$\triangle H$ X1

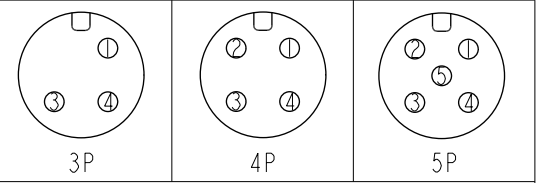


$\triangle D$ M12A-XXPMMR-SF8002
XX: No. Of Pin

Recommended Panel Cut-Out



- $\triangle D$ $\triangle F$ Note:
- * RoHS Compliant
 - * ⌀ Important dimension
 - * $\triangle G$ Waterproof rate: IP68, unmated 1m/24h
 $\triangle H$ IP69K, mated
 - * Connector
Housing: Thermoplastic, Black
Pin: Copper alloy, Gold plated
 - * $\triangle E$ Shield: Metal
 - * $\triangle E$ Nut: Metal
 - * O-Ring: Rubber, Black
 - * For panel thickness max: 4.5mm
 - * For pcb thickness max: 1.6mm
 - * Nut is packed separately in pe bag



Pin Assignment Front View

UNIT:mm		TITLE	N SEN, M12 A, SCREW RECEPTACLE, M, M, PCB R $\triangle F$	
TOLERANCE		SCALE	3:2	SIZE A4
.X	±0.25	SHEET	1	OF 2
.XX	±0.1	REV.	H	WC-REV. .0
.XXX	±0.05	⌀ : Inspection item		
ANGLES	±1°			

Amphenol LTW
安費諾亮泰企業股份有限公司

ITEM NO	DRAWN BY	DATE
	Nan_Su	2019-08-14
DWG NO	CHECKED BY	DATE
$\triangle D$ M12A-XXPMMR-SF8002	Feng_Li	2019-08-14
CUSTOMER	APPROVED BY	DATE
ALTW	Jerry	2019-08-14

1 2 3 4 5 6 7 8

F

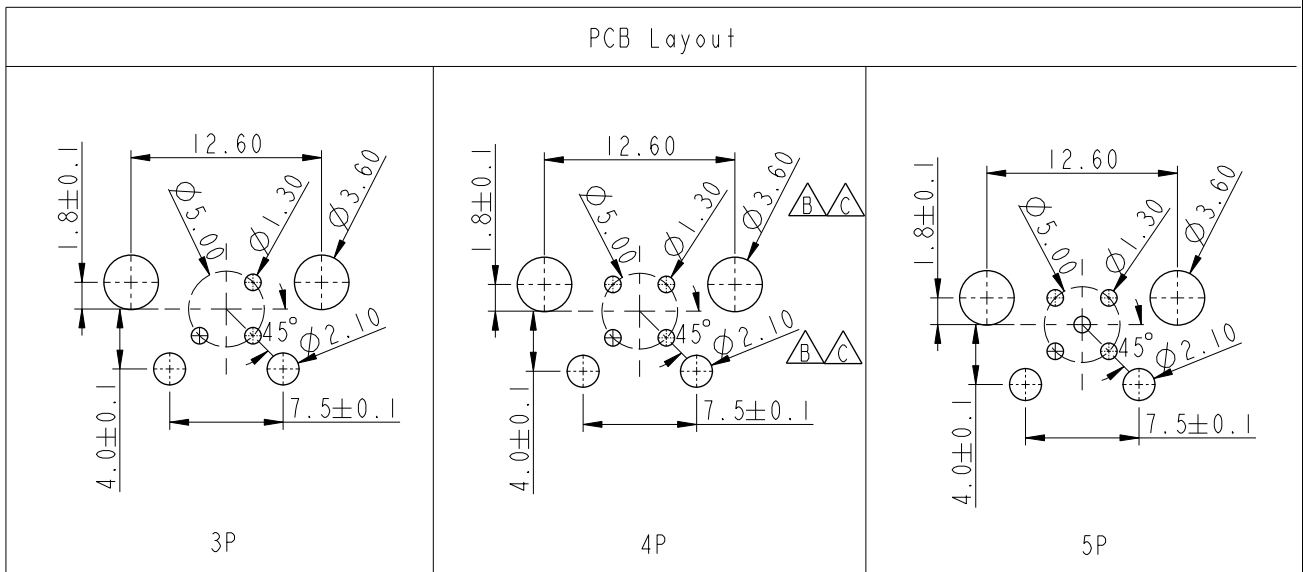
E

D

C

B

A



UNIT: mm		TITLE N SEN, M12 A, SCREW RECEPTACLE, M, M, PCB R	
TOLERANCE .X ±0.25 .XX ±0.1 .XXX ±0.05 ANGLES ±1°		SCALE 3:2	SIZE A4
		SHEET 2 OF 2	REV. H
		WC-REV. .0	Inspection item

Amphenol LTW

安費諾亮泰企業股份有限公司

ITEM NO	DRAWN BY	DATE
	Nan_Su	2019-08-14
DWG NO	CHECKED BY	DATE
M12A-XXPMMR-SF8002	Feng_Li	2019-08-14
CUSTOMER	APPROVED BY	DATE
ALTW	Jerry	2019-08-14