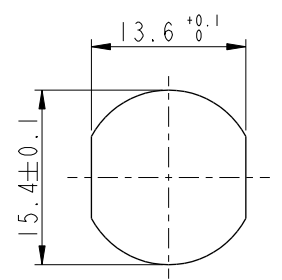


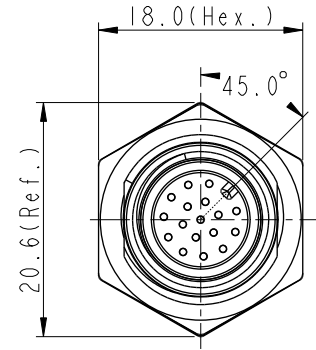
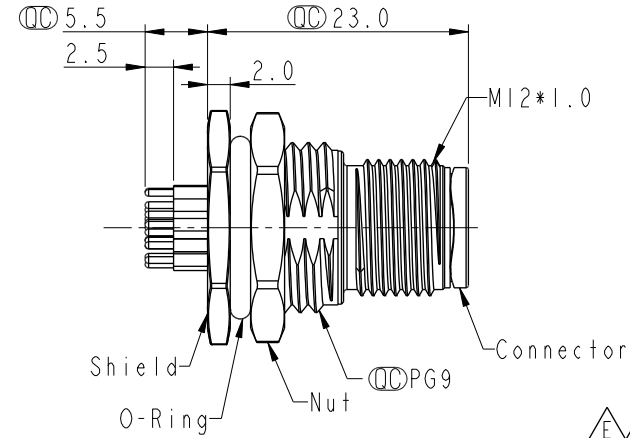
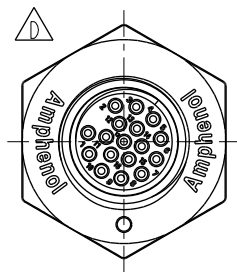
THIS DOCUMENT IS SUBJECT TO CHANGE WITHOUT NOTICE. IT IS CONFIDENTIAL AND A PROPERTY OF Amphenol LTW. DISCLOSURE TO THIRD PARTY HAS TO BE AUTHORIZED BY Amphenol LTW.

REV.	ECN NO.	DATE	SIGN	DESCRIPTION
H	C211340	2021/08/18	Allen Pan	X2
I	C221973	2022/12/21	Ruru	X1
J	C231034	2023/08/08	Ruru	X1

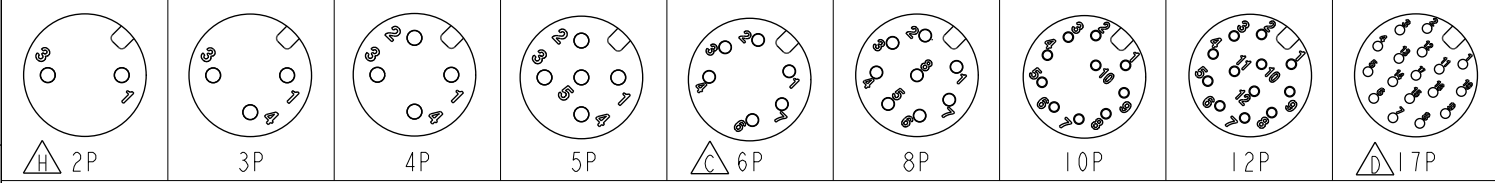


Recommended Panel Cut-Out

△B
 △E
 M12A-XXPMMP-SF8001
 XX: No. Of Pin



- △E △G Note:
- * RoHS Compliant
 - * (CC) Important dimension
 - △I △C * Waterproof rate: IP68, unmated 1m/24h
 - △J * IP69K, mated
 - * Connector
 - Housing: Thermoplastic, Black
 - Pin: Copper alloy, Gold plated
 - △F △ * Shield: Metal
 - △F △ * Nut: Metal
 - * O-Ring: Rubber, Black
 - * For panel thickness max: 4.5mm
 - * Nut is packed separately in pe bag

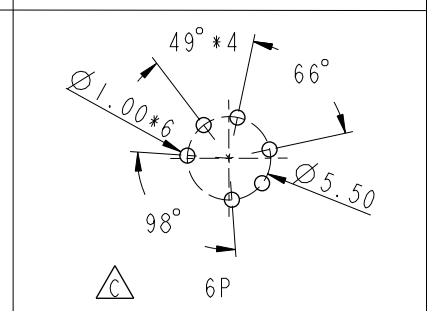
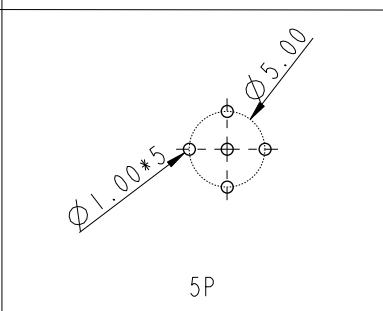
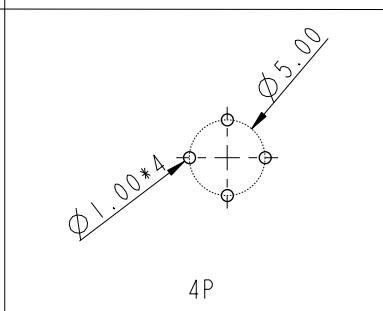
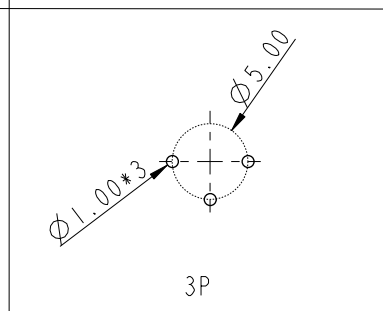
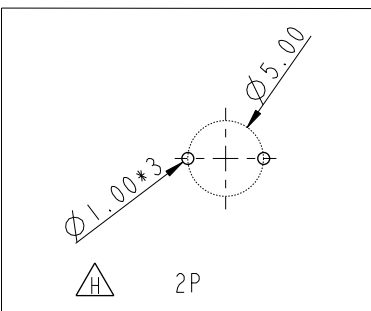
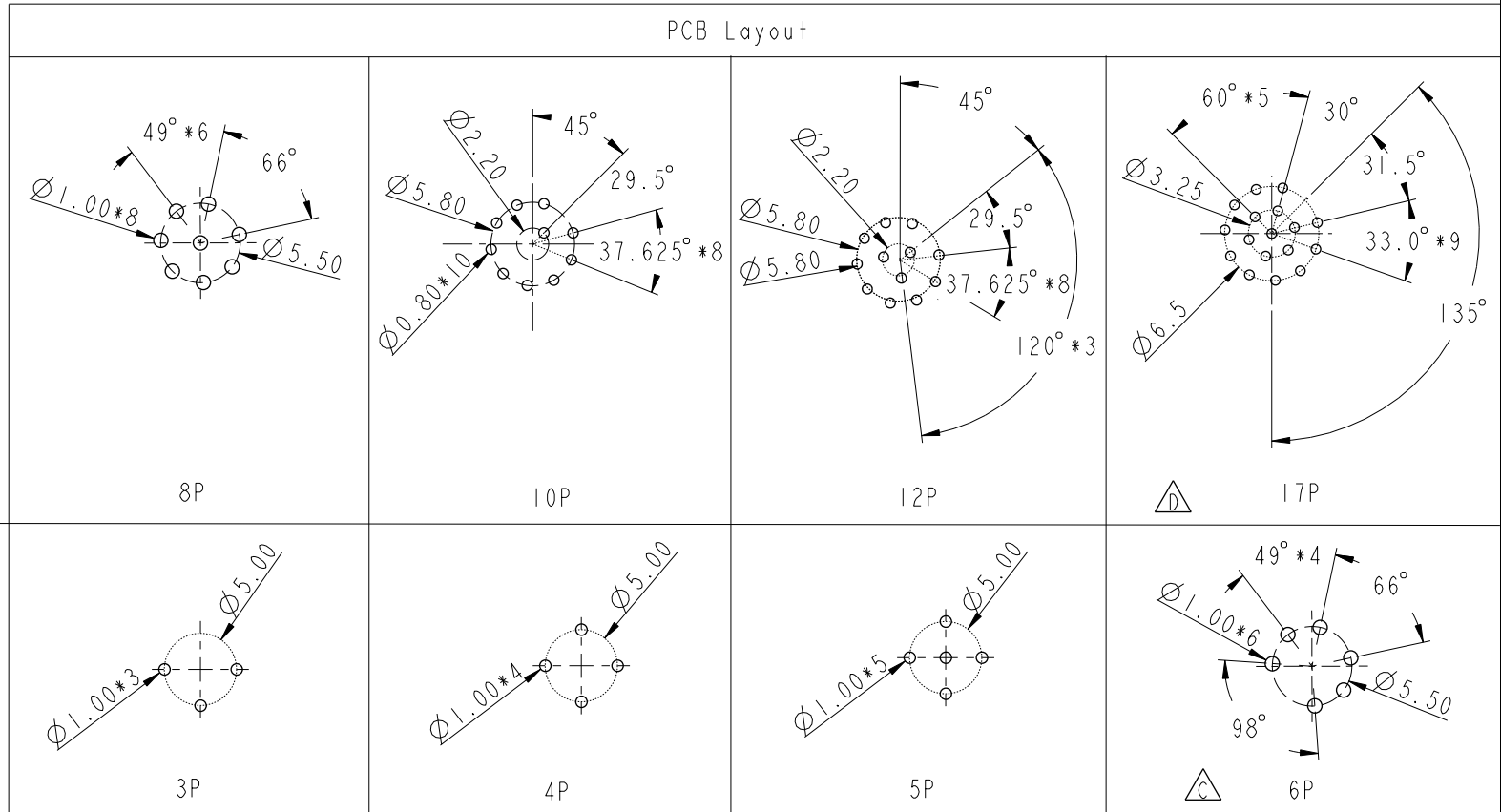


Pin Assignment Front View

UNIT: mm TOLERANCE .X ±0.25 .XX ±0.1 .XXX ±0.05 ANGLES ±1°	TITLE N SEN, M12 A, SCREW RECEPTACLE, M, M, PCB S △G		<h1>Amphenol LTW</h1> 安費諾亮泰企業股份有限公司		ITEM NO M12A-XXPMMP-SF8001	DRAWN BY Yulong_wang	DATE 2016-08-08
	SCALE 2:1	SIZE A4			SHEET 1 OF 2	DWG NO △E M12A-XXPMMP-SF8001	CHECKED BY Jinhai
REV. J	WC-REV. A.5	(CC): Inspection item	CUSTOMER ALTW	APPROVED BY Jerry	DATE 2016-08-08		

THIS DOCUMENT IS SUBJECT TO CHANGE WITHOUT NOTICE. IT IS CONFIDENTIAL AND A PROPERTY OF Amphenol LTW. DISCLOSURE TO THIRD PARTY HAS TO BE AUTHORIZED BY Amphenol LTW.

PCB Layout



UNIT:mm		
TOLERANCE	.X ±0.25	
	.XX ±0.1	
	.XXX ±0.05	
ANGLES	±1°	

TITLE N SEN, M12 A, SCREW RECEPTACLE, M, M, PCB S		
SCALE 2:1	SIZE A4	SHEET 2 OF 2
REV. J	WC-REV. A.4	

Amphenol LTW
安費諾亮泰企業股份有限公司

ITEM NO	DWG NO
	M12A-XXPMMP-SF8001
CUSTOMER	ALTW

DRAWN BY	CHECKED BY
Yulong_wang	Jinhai
APPROVED BY	
Jerry	

DATE	DATE
2016-08-08	2016-08-08
DATE	DATE
2016-08-08	2016-08-08