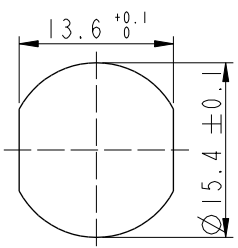


THIS DOCUMENT IS SUBJECT TO CHANGE WITHOUT NOTICE. IT IS CONFIDENTIAL AND A PROPERTY OF Amphenol LTW. DISCLOSURE TO THIRD PARTY HAS TO BE AUTHORIZED BY Amphenol LTW.

REV.	ECN NO.	DATE	SIGN	DESCRIPTION
E	C210798	2021/05/21	Ruru	△E XI
F	C221973	2022/12/21	Ruru	△F XI
G	C231034	2023/08/08	Ruru	△G XI



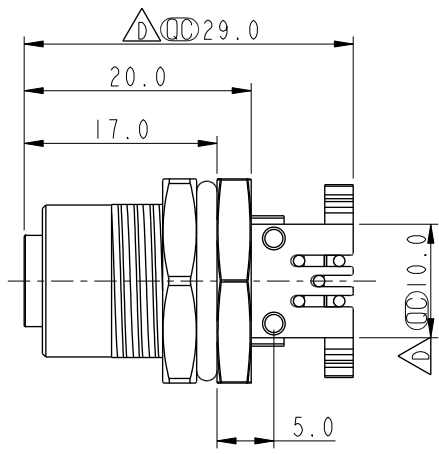
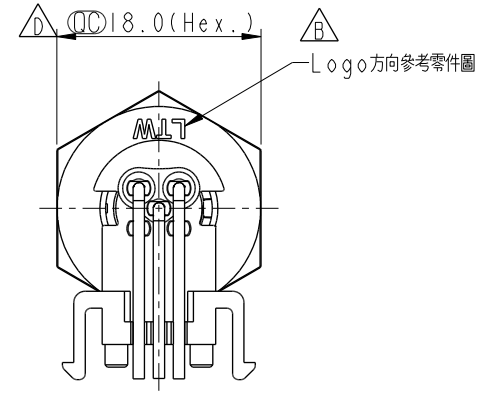
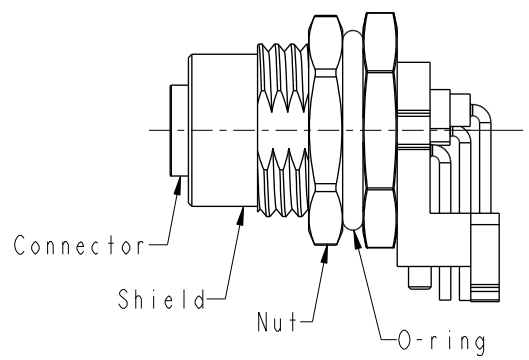
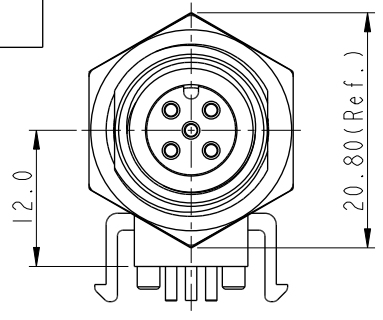
△C

△C

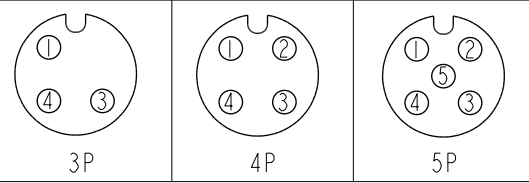
M12A-XXPFFR-SF8001

XX: No. Of Pin

Recommended Panel Cut-Out



- △C△D Note:
- \* RoHS Compliant
  - \* △C△D Important dimension
  - \* △E Waterproof rate: IP68, unmated 1m/24h  
△G IP69K, mated
  - \* Connector
  - \* Housing: Thermoplastic, Black
  - \* Pin: Copper alloy, Gold plated
  - \* △E O-Ring: Rubber, Gray
  - \* Shield: Metal
  - \* Nut: Metal
  - \* O-Ring: Rubber, Black
  - \* For panel thickness max: 4.5mm
  - \* For pcb thickness max: 1.6mm
  - \* Nut is packed separately in pe bag



Pin Assignment Front View

UNIT:mm			TITLE N SEN, M12 A, SCREW RECEPTACLE, F, F, PCB R △D
TOLERANCE .X ±0.25 .XX ±0.1 .XXX ±0.05 ANGLES ±1°	SCALE 3:2	SIZE A4	SHEET 1 OF 2
	REV. G	WC-REV. A.2	△C△D: Inspection item

**Amphenol LTW**  
安費諾亮泰企業股份有限公司

ITEM NO	DRAWN BY Frank Deng	DATE 2017-10-23
DWG NO △C△D M12A-XXPFFR-SF8001	CHECKED BY Fisher Wang	DATE 2017-10-23
CUSTOMER ALTW	APPROVED BY Kevin Hu	DATE 2017-10-23

THIS DOCUMENT IS SUBJECT TO CHANGE WITHOUT NOTICE. IT IS CONFIDENTIAL AND A PROPERTY OF Amphenol LTW. DISCLOSURE TO THIRD PARTY HAS TO BE AUTHORIZED BY Amphenol LTW.

1 2 3 4 5 6 7 8

F

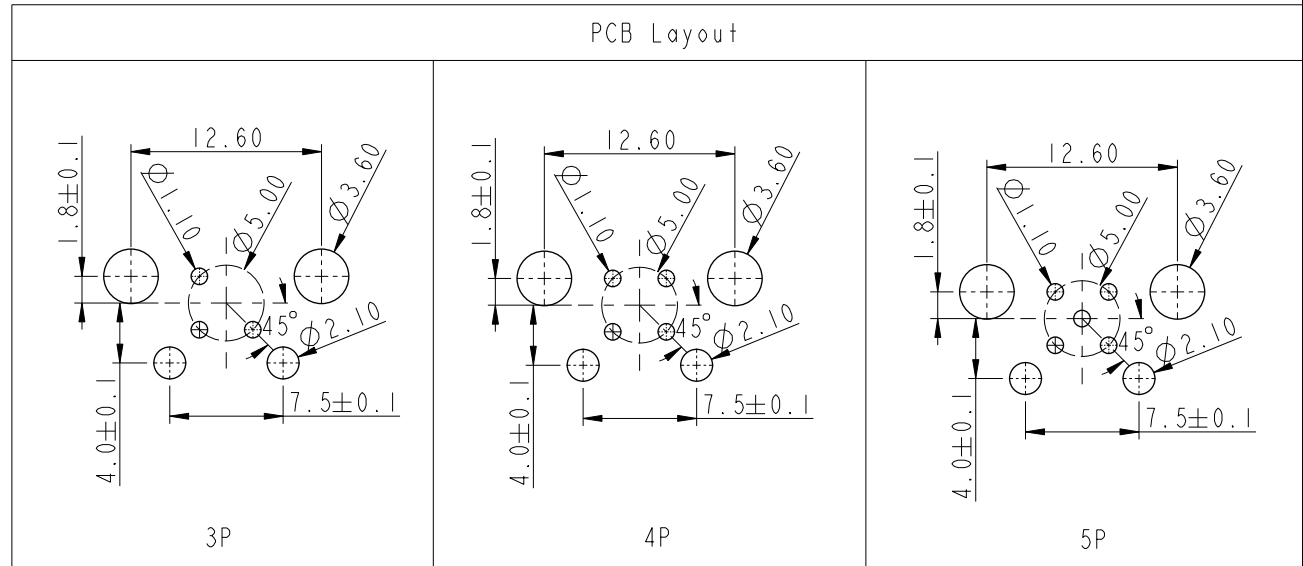
E

D

C

B

A



UNIT: mm		
TOLERANCE	.X	±0.25
	.XX	±0.1
	.XXX	±0.05
ANGLES		±1°

TITLE N SEN, M12 A, SCREW RECEPTACLE, F, F, PCB R		
SCALE	SIZE	SHEET
3:2	A4	2 OF 2
REV.	WC-REV.	
G	A.2	Inspection item

**Amphenol LTW**  
安費諾亮泰企業股份有限公司

ITEM NO	DWG NO
	M12A-XXPFFR-SF8001
CUSTOMER	
ALTW	

DRAWN BY	CHECKED BY
Frank Deng	Fisher Wang
APPROVED BY	
Kevin Hu	

DATE	DATE
2017-10-23	2017-10-23
DATE	DATE
2017-10-23	2017-10-23

1 2 3 4 5 6 7 8 W10814-03-001A2