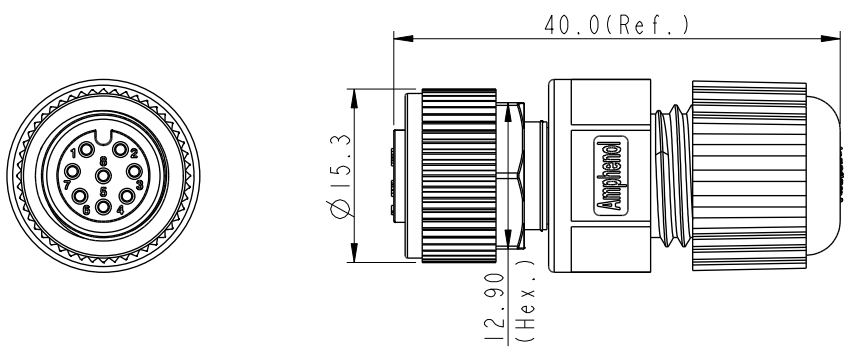
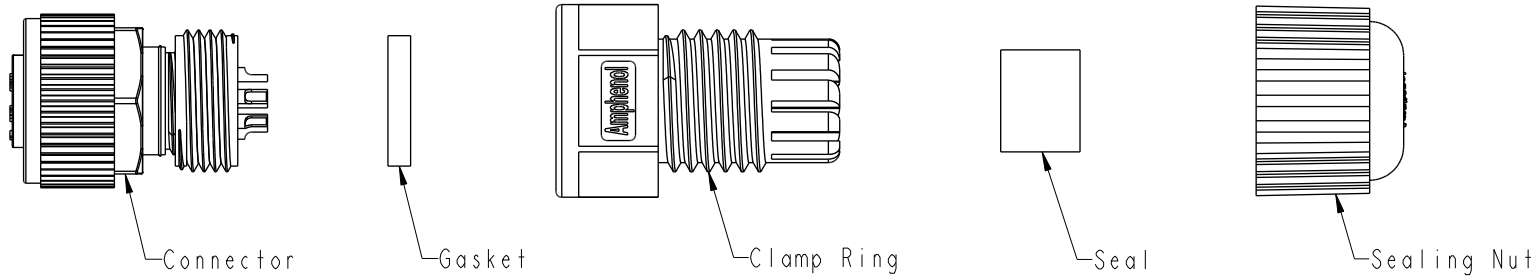


THIS DOCUMENT IS SUBJECT TO CHANGE WITHOUT NOTICE. IT IS CONFIDENTIAL AND A PROPERTY OF Amphenol LTW. DISCLOSURE TO THIRD PARTY HAS TO BE AUTHORIZED BY Amphenol LTW.

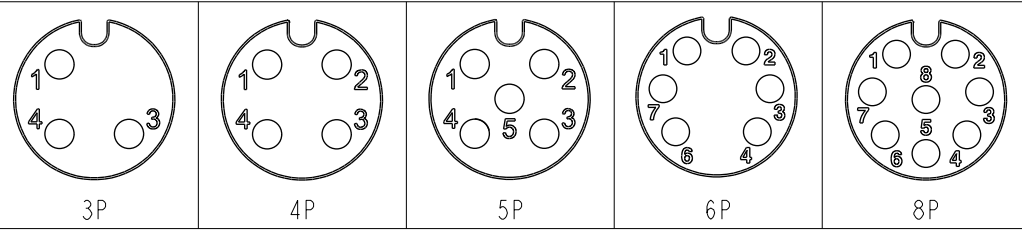
| REV. | ECN NO. | DATE | SIGN | DESCRIPTION |
|------|---------|------------|-------|------------------|
| B | C210561 | 2021/04/09 | Vicky | $\triangle B$ X4 |
| C | C221953 | 2022/12/15 | Ruru | $\triangle C$ XI |



$\triangle B$ M12A-XXBFFA-SL8001

XX: No. Of Pin

- $\triangle B$ Note:
- * RoHS Compliant
 - * CC Important Dimension
 - $\triangle C$ * Waterproof rate: IP68, mated 1m/24h
 - * Connector
 - Housing: Thermoplastic, Black
 - Pin: Copper alloy, Gold plated
 - Extension Nut: Thermoplastic, Black
 - Nut: Metal
 - O-Ring: Rubber, Gray
 - * Gasket: Rubber, Gray
 - * Clamp Ring: Thermoplastic, Black
 - * Sealing Nut: Thermoplastic, Black
 - * Seal: Rubber, Gray, OD: $\varnothing 4.5\text{mm} \sim \varnothing 6.5\text{mm}$
 - * One set unassembled in one pe bag



Pin Assignments Front View

| | | | |
|--|---------------|---|-------------------------------|
| UNIT: mm | CC | TITLE N SEN, M12 A, SCREW CABLE W/O SR, F, F, FI SOLDER | $\triangle B$ |
| TOLERANCE .X ± 0.25 .XX ± 0.1 .XXX ± 0.05 ANGLES $\pm 1^\circ$ | $\triangle B$ | SCALE 1:1 | SIZE A4 |
| | | REV. C | WC-REV. A.5 |
| | | | CC : Inspection item |

Amphenol LTW
安費諾亮泰企業股份有限公司

| | | |
|------------------------------|-----------------------|--------------------|
| ITEM NO | DRAWN BY JC Chen | DATE 2019-08-28 |
| DWG NO M12A-XXBFFA-SL8001 | CHECKED BY Li Feng | DATE 2019-08-28 |
| CUSTOMER ALTW | APPROVED BY Jerry | DATE 2019-08-28 |