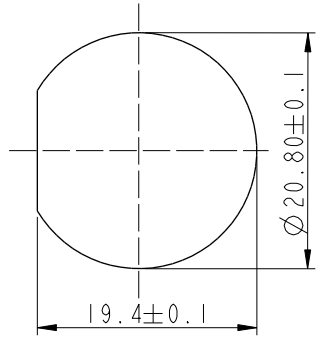


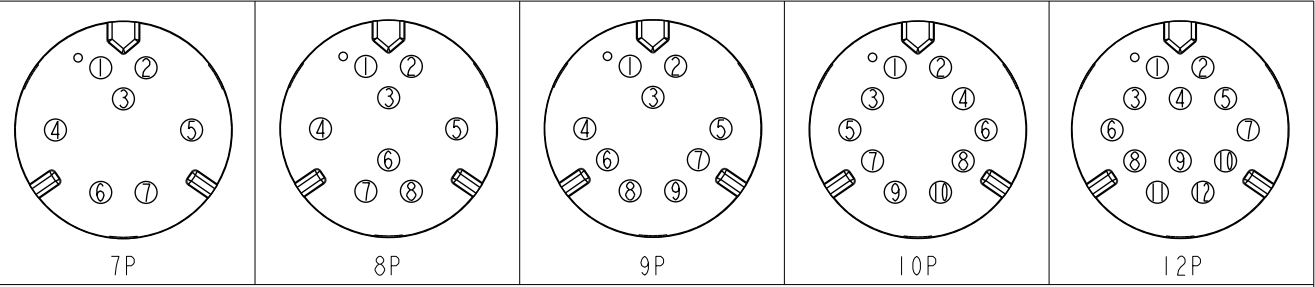
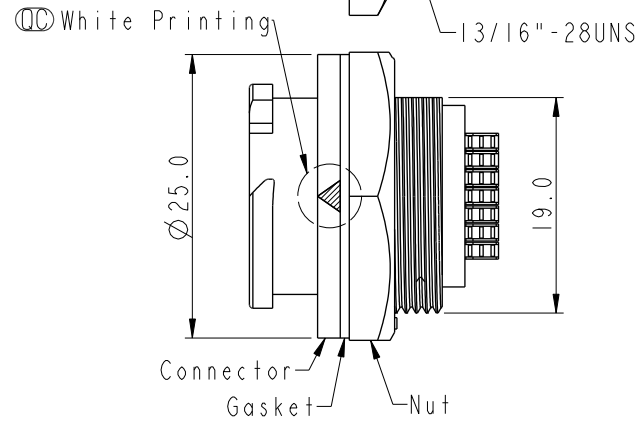
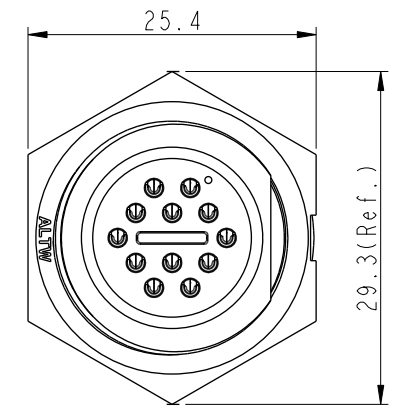
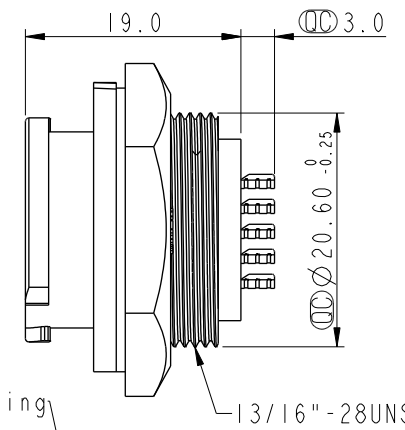
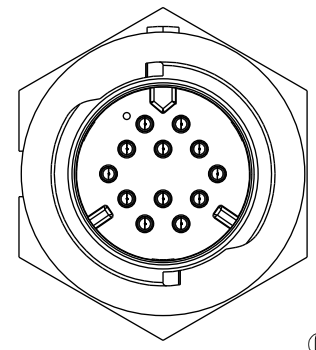
THIS DOCUMENT IS SUBJECT TO CHANGE WITHOUT NOTICE. IT IS CONFIDENTIAL AND A PROPERTY OF AMPHENOL LTW. DISCLOSURE TO THIRD PARTY HAS TO BE AUTHORIZED BY AMPHENOL LTW.

REV.	ECN NO.	DATE	SIGN	DESCRIPTION
B	C190470	2019/03/21	Vicky	Change Note
C	C220628	2022/05/10	Vicky	$\triangle C$ X4
D	C230087	2023/01/31	Vicky	$\triangle D$ XI

$\triangle C$ CD-XXRMS-QC8001
 XX: No. Of Pin



Recommended Panel Cut-Out



Pin Assignments Front View

$\triangle B \triangle C$
 Note:
 * RoHS Compliant
 * ⌀ Important dimension
 * Waterproof rate: IP68, unmated 1m/24h
 * Connector
 Housing: Thermoplastic, Black
 Pin: Copper Alloy, Gold plated
 * Nut: Thermoplastic, Black
 * Gasket: Rubber, Gray
 * For panel thickness max: 4.2mm
 * Gasket and nut are packed separately in pe bag

UNIT: mm		TITLE XLOK, C-5A, REAR FASTENED M, M, SOLDER, PUSH LOCK
TOLERANCE .X ±0.25 .XX ±0.1 .XXX ±0.05 ANGLES ±1°	SCALE 3:2	SIZE A4
	REV. D	SHEET 1 OF 1
	WC-REV. A.2	⌀ : Inspection item

Amphenol LTW
 安費諾亮泰企業股份有限公司

ITEM NO.	DRAWN BY Vicky	DATE 2019-03-21
DWG NO. $\triangle C$ CD-XXRMS-QC8001	CHECKED BY Rita	DATE 2019-03-21
CUSTOMER ALTW	APPROVED BY Max	DATE 2019-03-21