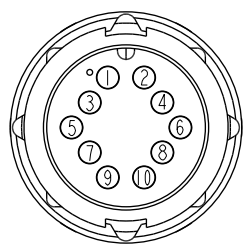
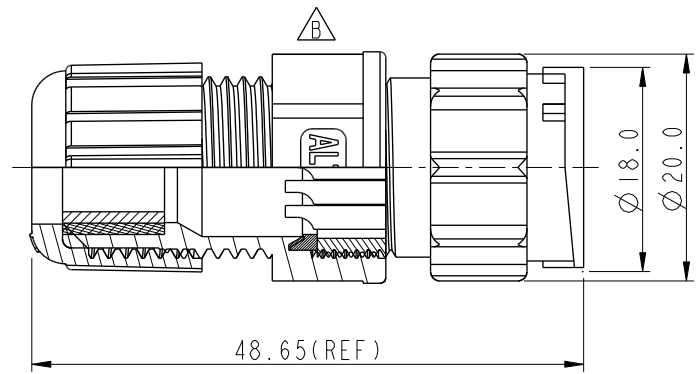
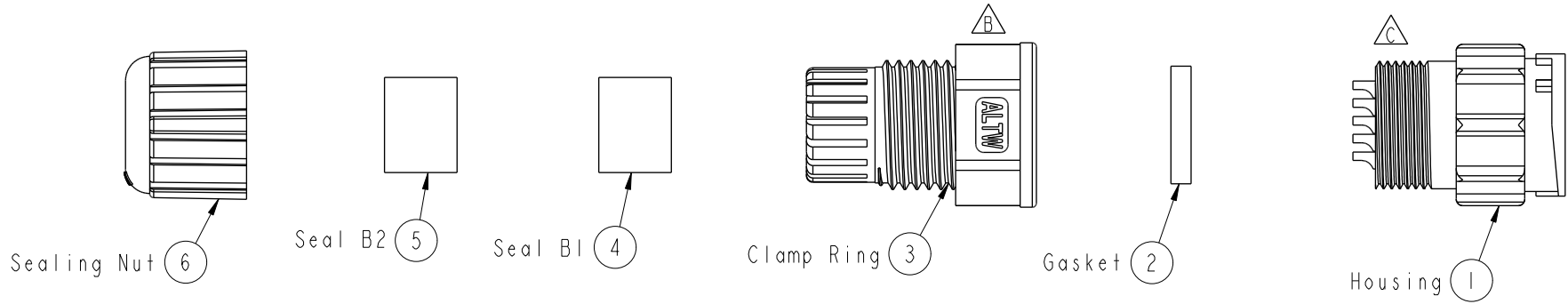


THIS DOCUMENT IS SUBJECT TO CHANGE WITHOUT NOTICE. IT IS CONFIDENTIAL AND A PROPERTY OF AMPHENOL LTW. DISCLOSURE TO THIRD PARTY HAS TO BE AUTHORIZED BY AMPHENOL LTW.

REV.	ECN NO.	DATE	SIGN	DESCRIPTION
B	LEN1741322	2017/04/24	Ruru	Change Logo
C	C200915	2020/06/17	Ruru	△C X3



Pin Assignments
Front View 前視圖

△C △B Note:

- * (QC) Important Dimension To Check
- * Waterproof Rate: IP67
- * Housing: Thermoplastic, Black
- * Male Pin: Copper Alloy, Gold Plated
- * Gasket: Rubber, Black
- * Seals: Rubber, Black
- * Clamp Ring: Thermoplastic, Black
- * Sealing Nut: Thermoplastic, Black
- * Seals B1 for Cable OD: $\varnothing 7.6\text{mm} \sim \varnothing 9.6\text{mm}$
- * Seals B2 for Cable OD: $\varnothing 4.0\text{mm} \sim \varnothing 7.6\text{mm}$
- * One Set Unassembled In One PE Bag

UNIT: mm		TITLE O CERES, C-5A, 10P, CABLE W/O SR M, M, FI SOLDER, 2LOCK
TOLERANCE .X ±0.25 .XX ±0.1 .XXX ±0.05 ANGLES ±1°	SCALE 1:1	SIZE A4
	REV. C	SHEET 1 OF 1
	WC-REV. A.2	(QC): Inspection item

Amphenol LTW
安費諾亮泰企業股份有限公司

ITEM NO. CD-10BMMA-LL7001	DRAWN BY Ruru	DATE 2017-04-24
DWG NO. CD-10BMMA-LL7001	CHECKED BY Rita	DATE 2017-04-24
CUSTOMER ALTW	APPROVED BY Max	DATE 2017-04-24