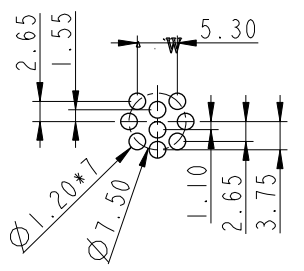
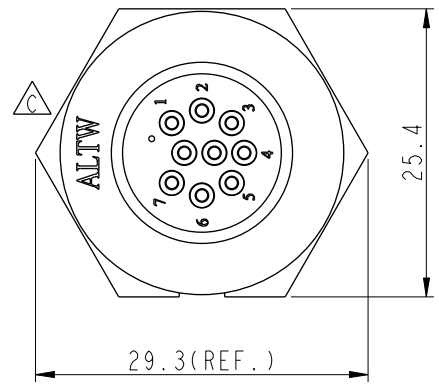
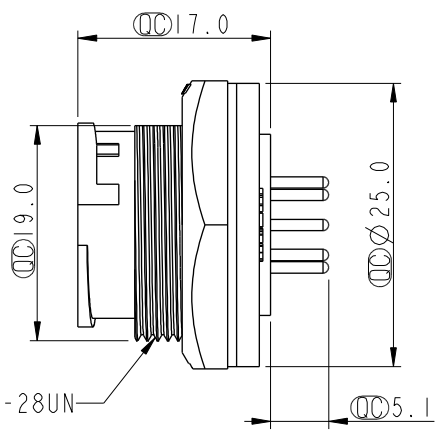
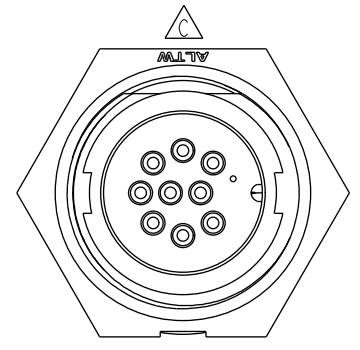
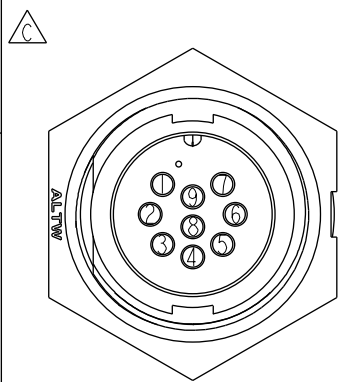


THIS DOCUMENT IS SUBJECT TO CHANGE WITHOUT NOTICE. IT IS CONFIDENTIAL AND A PROPERTY OF Amphenol LTW. DISCLOSURE TO THIRD PARTY HAS TO BE AUTHORIZED BY Amphenol LTW.

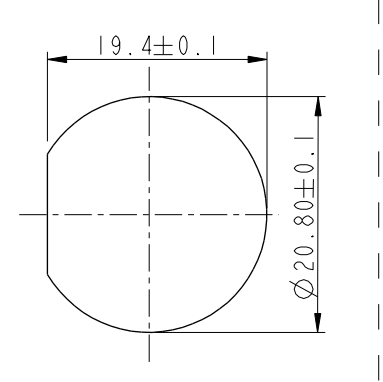
REV.	ECN NO.	DATE	SIGN	DESCRIPTION
B	LEN-8B0071	2008/09/25	Shin	Add Note
C	LEN15A0328	2015/06/04	Jinhai	Change Logo
D	CI90271	2019/03/04	Ruru	Modify Note



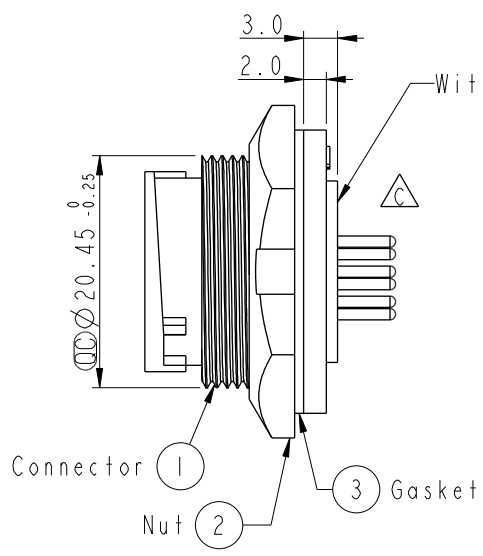
9Pin Male Connector  
Female Pin PCB Layout



Pin Assignments  
Front View



Recommended Panel Cut-Out



Note:  $\triangle$

- \*  $\text{CC}$  Important Dimension To Check.
- \* Waterproof Rate: IP67, Unmated
- \* Housing: Thermoplastic, Black
- \* Pin: Copper Alloy, Gold Plated
- \* Nut: Thermoplastic, Black
- \* Gasket: Rubber, Black

- $\triangle$  \* Use with waterproof cap or dust cap  
Panel Thickness Max: 3.0mm
- $\triangle$  \* Use without waterproof cap or dust cap  
Panel Thickness Max: 4.0mm
- \* Gasket and Nut are packed separately  
in PE bags.

UNIT:mm		
TOLERANCE		
.X	±0.25	
.XX	±0.1	
.XXX	±0.05	
ANGLES	±1°	

TITLE Middle Panel Lock 9Pin M Conn M Pin			
SCALE 1:1	SIZE A4	SHEET 1 OF 1	
REV. D	WC-REV. A.3	$\text{CC}$ : Inspection item	

**Amphenol LTW**  
安費諾亮泰企業股份有限公司

ITEM NO. CD-09PMMP-LC7001	DRAWN BY Ruru	DATE 2019-03-04
DWG NO. CD-09PMMP-LC7001	CHECKED BY Rita	DATE 2019-03-04
CUSTOMER ALTW	APPROVED BY Max	DATE 2019-03-04