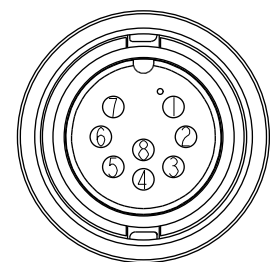
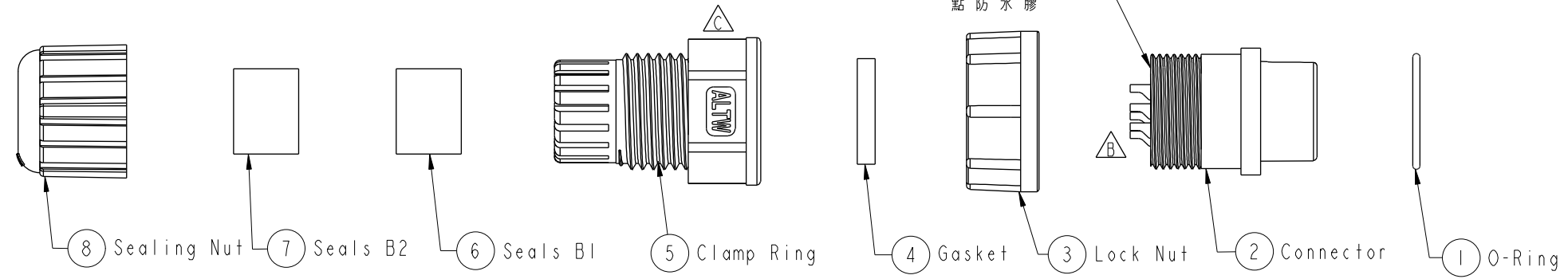
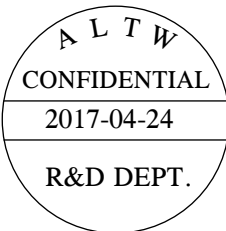
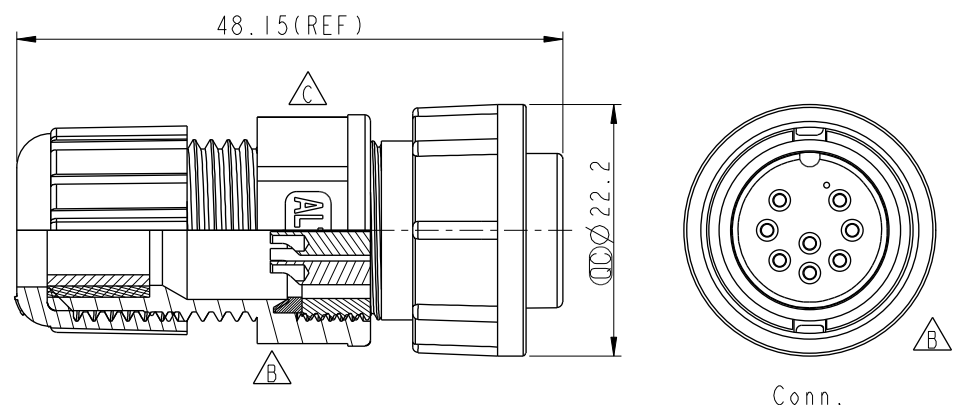


THIS DOCUMENT IS SUBJECT TO CHANGE WITHOUT NOTICE. IT IS CONFIDENTIAL AND A PROPERTY OF AMPHENOL LTW. DISCLOSURE TO THIRD PARTY HAS TO BE AUTHORIZED BY AMPHENOL LTW.

| REV. | ECN NO. | DATE | SIGN | DESCRIPTION |
|------|------------|------------|------|-----------------|
| B | LEN-0C0103 | 2010/11/23 | IVNA | Change 前導角 View |
| C | LEN1741317 | 2017/04/24 | Ruru | Change Logo |



Pin Assignments
Front View



Conn.

- Note:
- * (⊙) Important Dimension To Check.
 - * Waterproof Rate: IP67
 - * Housing: Nylon+GF, Black.
 - * Female Pin: Copper Alloy, Gold Plated.
 - * O-Ring: EPDM, Black.
 - * Lock Nut: Nylon+GF, Black.
 - * (△) Gasket: Silicone, Black
 - * Seals: EPDM, Black
 - * Clamp Ring: Nylon, Black.
 - * Sealing Nut: Nylon, Black.
 - * Seals B1 for Cable OD: $\varnothing 7.6\text{mm} \sim \varnothing 9.6\text{mm}$
 - * Seals B2 for Cable OD: $\varnothing 4.0\text{mm} \sim \varnothing 7.6\text{mm}$
 - * One Set Unassembled In One PE Bag.

| | | | | | | | | |
|--|--|----------------|----------------------|--------------------------------------|--------------------|-----------------------------|--------------------|--------------------|
| UNIT:mm TOLERANCE .X ±0.25 .XX ±0.1 .XXX ±0.05 ANGLES ±1° | TITLE Middle, Assy Lock 8Pin F Conn F Pin | | | Amphenol LTW 安費諾亮泰企業股份有限公司 | | ITEM NO CD-08BFFA-LL7001 | DRAWN BY Ruru | DATE 2017-04-24 |
| | SCALE 1:1 | SIZE A4 | SHEET 1 OF 1 | | | DWG NO CD-08BFFA-LL7001 | CHECKED BY Rita | DATE 2017-04-24 |
| | REV. C | WC-REV. A.2 | (⊙): Inspection item | CUSTOMER ALTW | APPROVED BY Max | DATE 2017-04-24 | | |
| | | | | | | 6 | 7 | 8 |